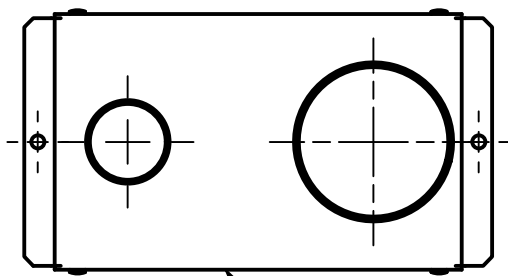
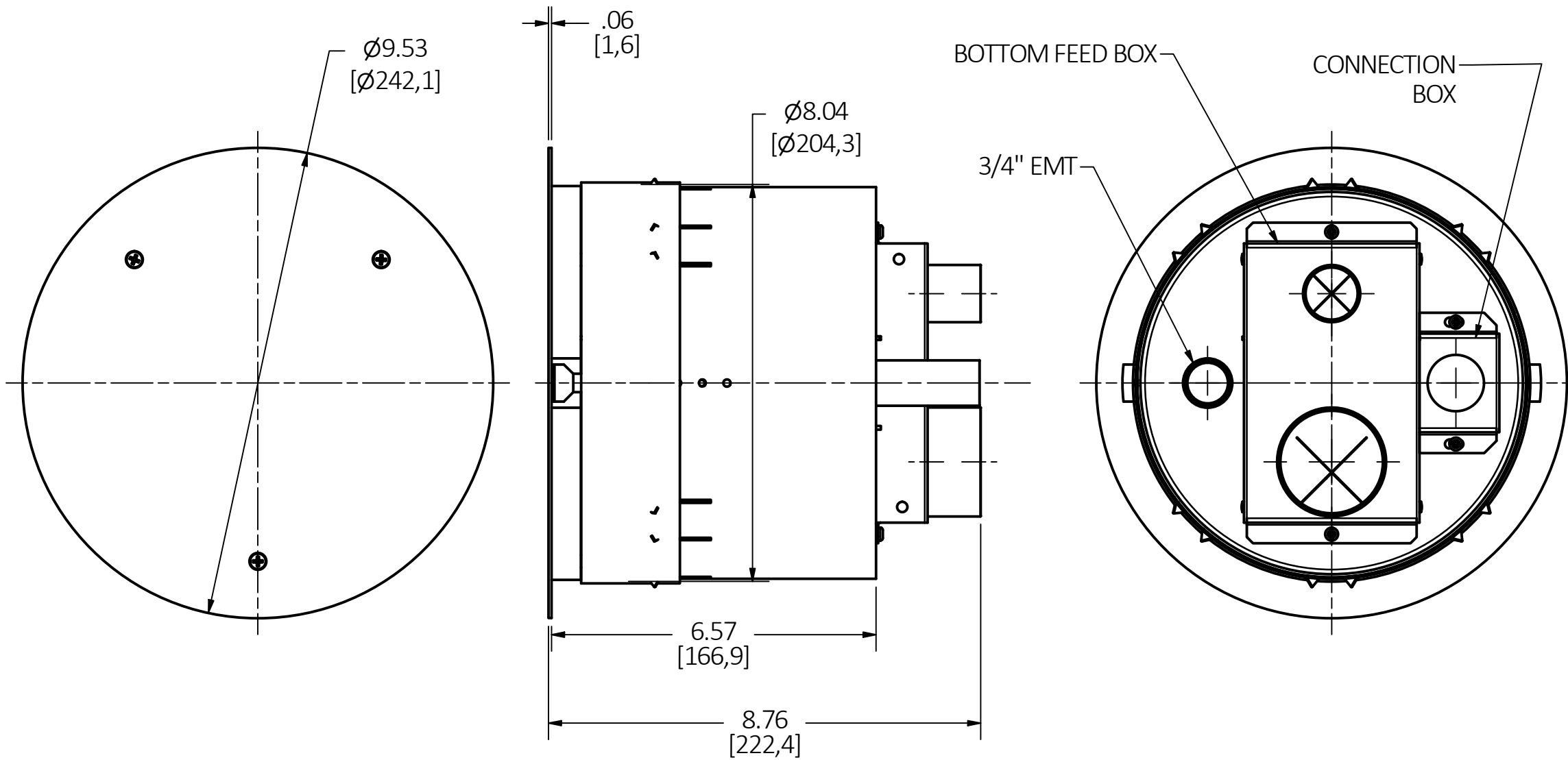


M-14155

1



S1R8JNC13

CATALOG NUMBER	BOTTOM FEED CAT. NO	BOTTOM FEED CONDUIT SIZES
S1R8PTFIT13	S1R8JNC13	1" & 2" EMT

NOTES:

1. ALL DIMENSIONS ARE IN INCHES AND [MILLIMETERS].
2. PRODUCT IS cULus LISTED.
3. PRODUCT IS SHIPPED WITH DIVIDER S1R8DIV. SEE M-11921 FOR DIMENSIONS.
4. PRODUCT IS SHIPPED WITH (2) PERIMETER PLATES S1R8PSPU. SEE M-11918 FOR DIMENSIONS.
5. PRODUCT IS SHIPPED WITH BOTTOM FEED BOX S1R8JNC13. SEE M-11989 FOR DIMENSIONS.
6. PRODUCT IS SHIPPED WITH EXTERNAL FIRE BARRIERS S1R8REPEFB. SEE M-14152 FOR DIMENSIONS.

LIST OF PARTS

DESCRIPTION	MATERIAL	FINISH
CAN WELDMENT	STEEL	GALVANIZED
INSTALLATION PLATE	STEEL	GALVANIZED
SUP-PLATE MTG. PLATE	STEEL	GALVANIZED
STANDOFFS	STNLS. STL.	-
FIRE BARRIER, UPPER	FIRE BAR. MATL.	NATURAL
FIRE BARRIER, LOWER	FIRE BAR. MATL.	NATURAL
WASHERS	FIBER	RED
MOUNTING SCREWS	STEEL	ZINC PLATE
DIVIDERS	STEEL	GALVANIZED
SPACER	FIRE BAR. MATL.	BLACK
TAPE	PLASTIC	YELL./BLK
EXT. FIRE BARRIERS	FIRE BAR. MATL.	RED
COVER PLATES	STEEL	GALVANIZED / WHITE
BOTTOM FEED BOX	STEEL	GALVANIZED

1	RELEASED PER DCN200430105554	AD	4/30/20
REV	DESCRIPTION	APP	DATE

THE DESIGN AND DIMENSIONS OF THE PRODUCT SHOWN ON THIS DRAWING ARE SUBJECT TO CHANGE WITHOUT NOTICE.

TITLE SERVICE FITTING, FURNITURE FEED, FIRE RATED POKE THROUGH, 8 INCH DIAMETER



WIRING DEVICE-KELLEMS  
HUBBELL INCORPORATED  
SHELTON, CT

TOLERANCES UNLESS OTHERWISE SPECIFIED .XX = ± .01 .XXX = ± .005 ANGLE TOL. ±2'	DR. BY AD	SCALE 3/8
	CHK. BY	DATE 8/23/19

DIMENSION SHEET FOR CAT. NO. SEE TABLE

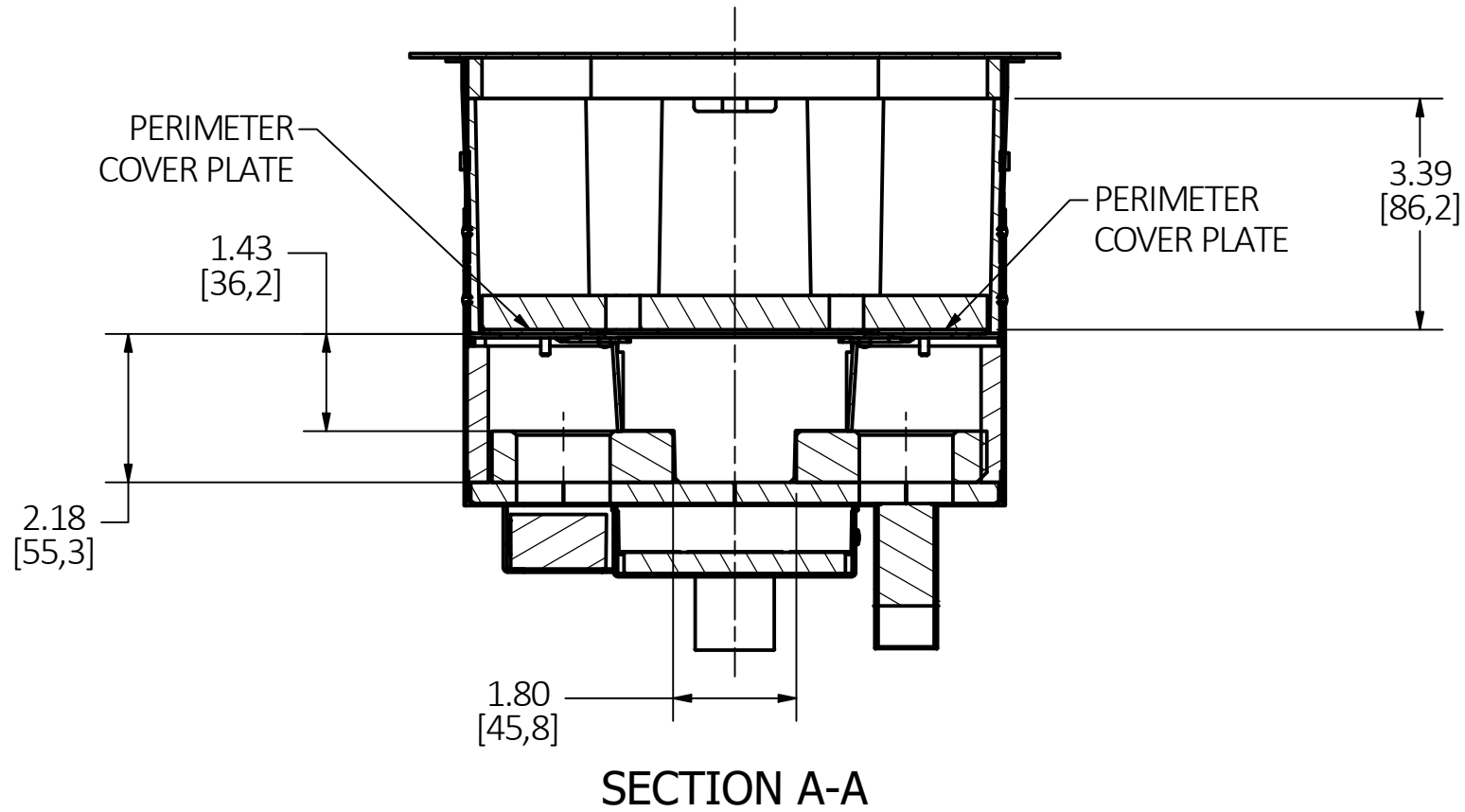
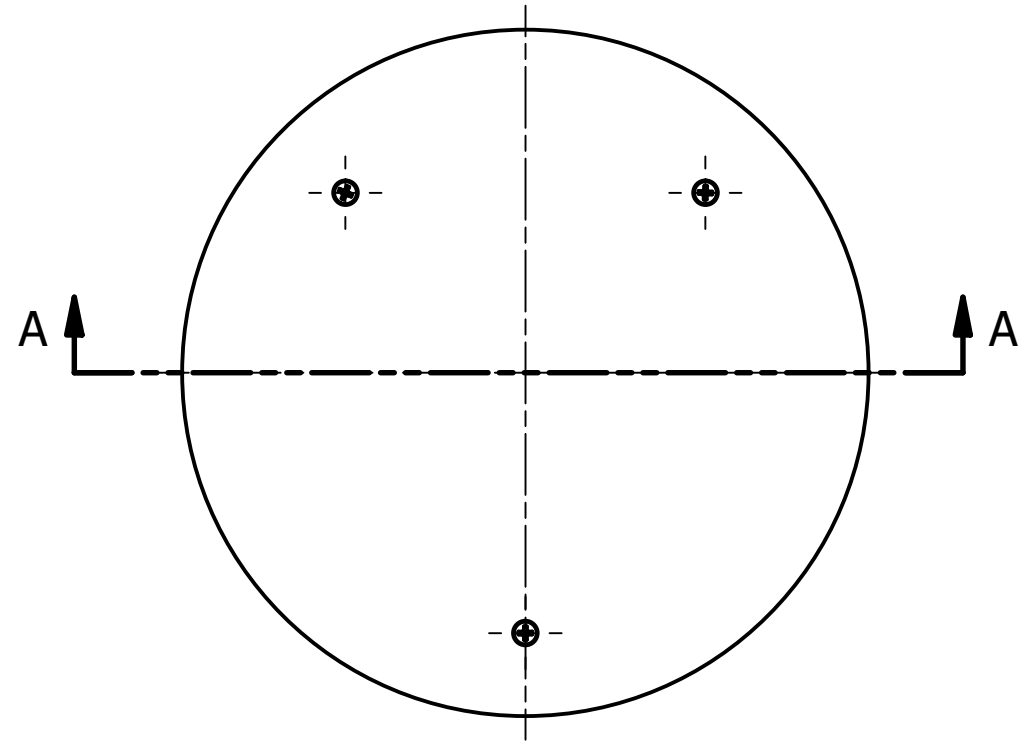
B

M-14155

1

M-14155

1



SECTION A-A

CAGE CODE 74545

SHEET 2 OF 2

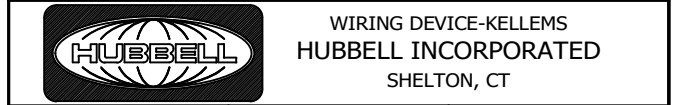
LIST OF PARTS

DESCRIPTION	MATERIAL	FINISH

1	RELEASED PER DCN200430105554	AD	4/30/20
REV	DESCRIPTION	APP	DATE

THE DESIGN AND DIMENSIONS OF THE PRODUCT SHOWN ON THIS DRAWING ARE SUBJECT TO CHANGE WITHOUT NOTICE.

TITLE SERVICE FITTING, FURNITURE FEED, FIRE RATED POKE THROUGH, 8 INCH DIAMETER



TOLERANCES UNLESS OTHERWISE SPECIFIED .XX = ± .01 .XXX = ± .005 ANGLE TOL. ±2'	DR. BY AD	SCALE 3/8
CHK. BY	DATE 8/23/19	

DIMENSION SHEET FOR CAT. NO. M-14155 SEE TABLE B 1