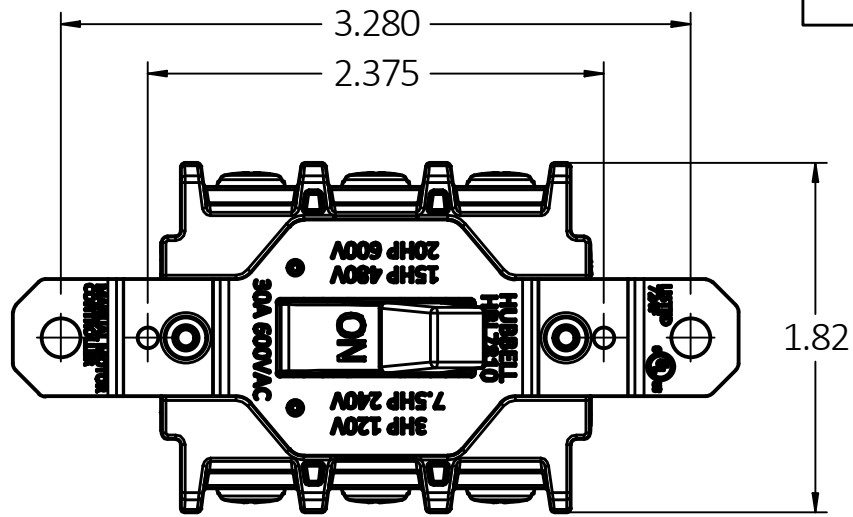
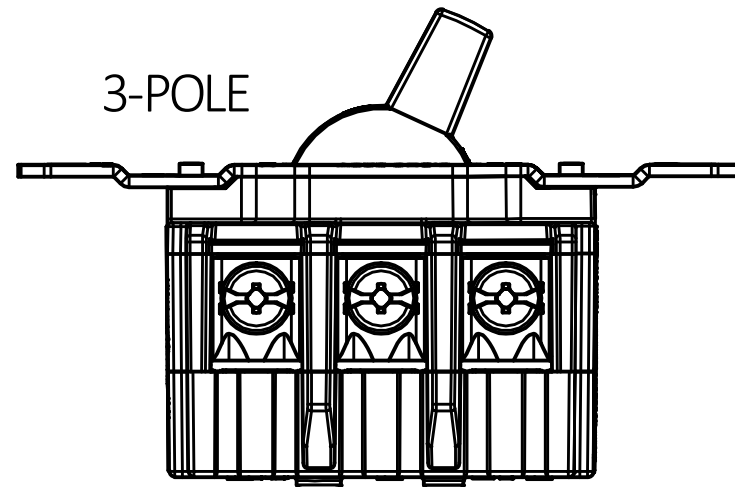


M-14482

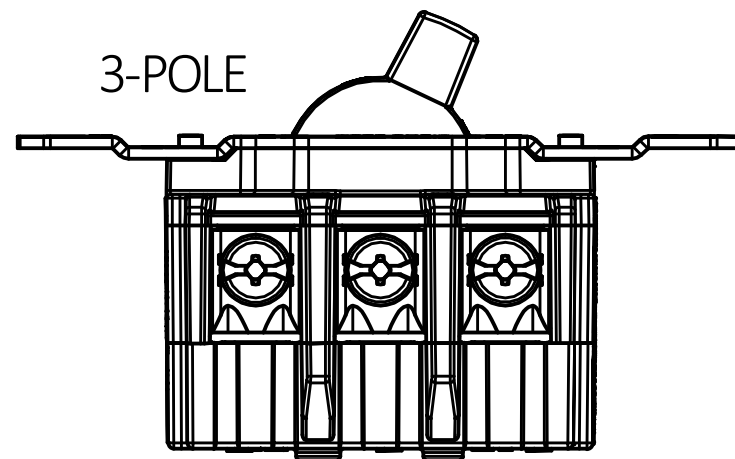
2



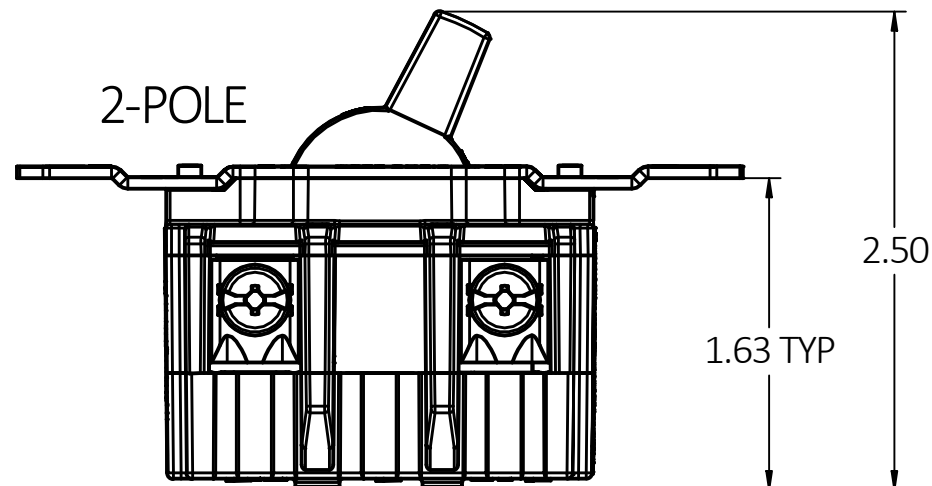
HORSEPOWER RATINGS		
PART NO.	HBL7832 HBL7832S	HBL7810 HBL7810S 40003MDA
VOLTAGE (VAC)	2-POLE 1-PHASE HP	3-POLE 3-PHASE HP
120	2	3
240	5	7.5
480	10	15
600	15	20



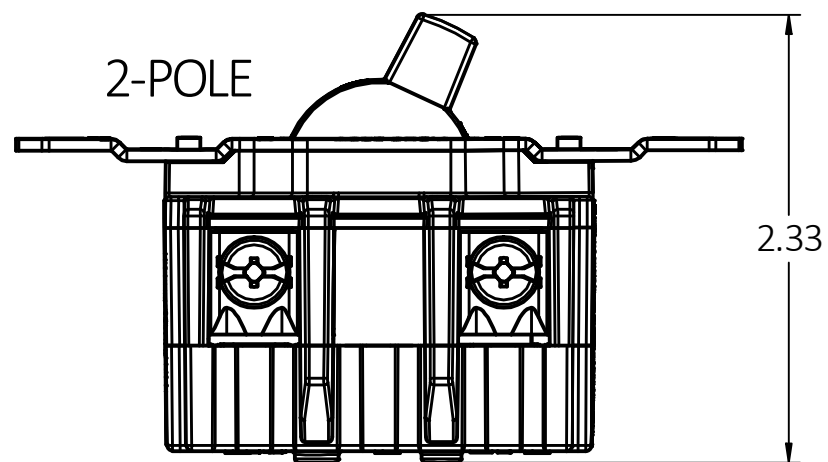
HBL7810, HBL7810W
STANDARD HANDLE



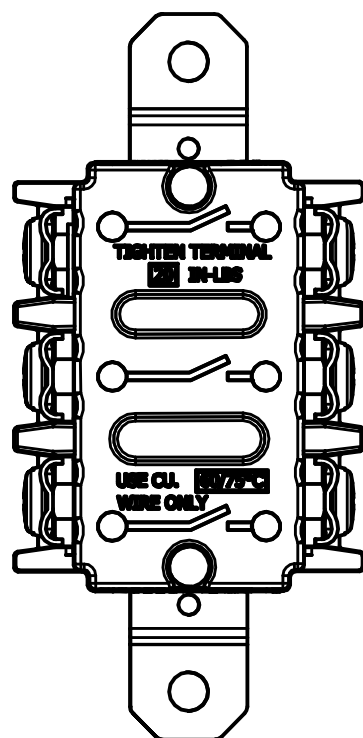
HBL7810S
SHORT HANDLE



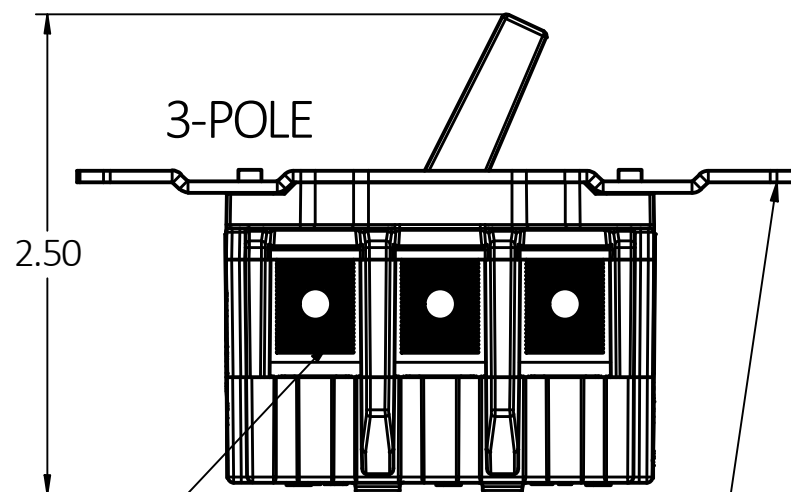
HBL7832
STANDARD HANDLE



HBL7832S
SHORT HANDLE



BACK MARKINGS VIEW



40003MDA
WIDE HANDLE

BLACK OXIDE

DESCRIPTION	MATERIAL	FINISH
BRIDGE	STEEL	
BRIDGE	STEEL	BLACK OXIDE
HANDLE	NYLON	
LINK FITTING	POM	
BRUSH LIFTER	PET	
SPRING, BRUSH LIFTER	MUSIC WIRE	
HOUSING	NYLON	
STATIONARY TERMINAL W/ CLAMP	---	
STATIONARY TERMINAL W/O CLAMP	---	
MOVING TERMINAL ASSY	---	
SPRING, MOVING TERMINAL	MUSIC WIRE	
BASE	NYLON 6/6	
RIVET	ALUMINUM	
SCREW,#6 MTG.TRI-DRIVE	STEEL	
BARRIER, FIBER	PC	

2	8/1/22 FOR 3 POLE STANDARD HANDLE: ADDED HBL7810W PER DCN 220720022277 RM GM
1	11/4/21 RELEASE TO PRODUCTION PER EC 211102013809 BP
SUB.	REVISIONS

THE DESIGN AND DIMENSIONS OF THE PRODUCT SHOWN ON THIS DRAWING ARE SUBJECT TO CHANGE WITHOUT NOTICE. DIMENSIONS ARE IN INCHES [mm].

TITLE
ASSY, MOTOR DISCONNECT



WIRING DEVICE-KELLEMS
HUBBELL INCORPORATED
SHELTON, CT

TOLERANCES UNLESS OTHERWISE SPECIFIED .XX = ± .01 .XXX = ± .005 ANGLE TOL. ±2'	DR. BY B.PEARCE	SCALE 1.0
	CHK. BY K.PADRO	DATE 12/3/21

DIMENSION SHEET FOR CAT. NO. HBL7810, HBL7810S, HBL7810W, HBL7832, HBL7832S, 40003MDA

B

M-14482

2