

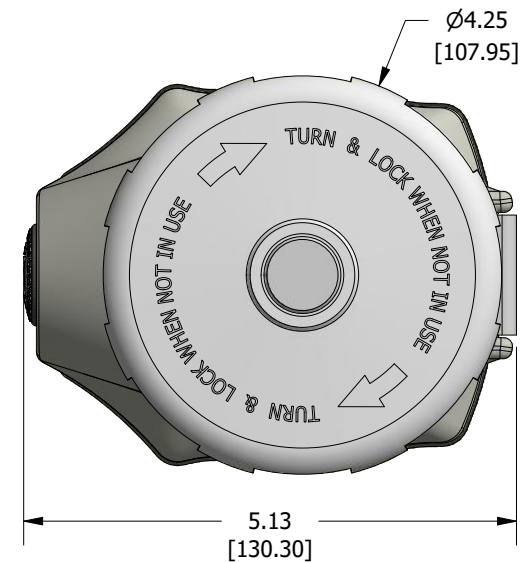
M-14488

2

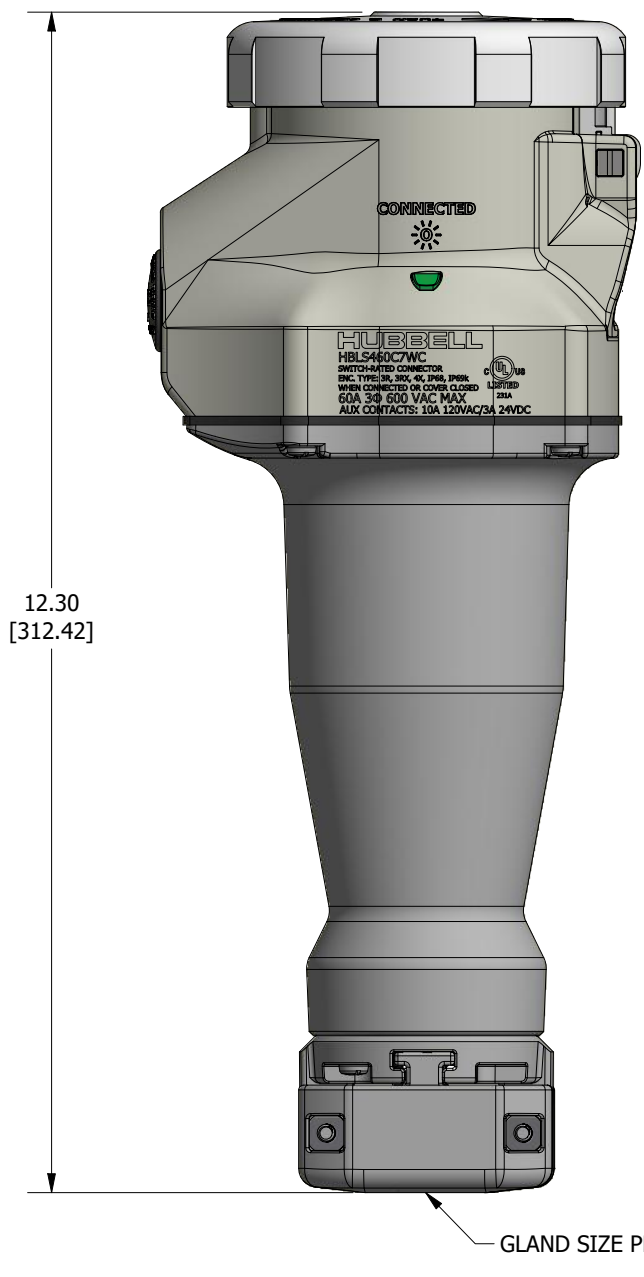
CONFIGURATION TABLE

CAT NO.	CONFIGURATION	RATING	CABLE DIA. RANGE	HSG COLOR
HBLS460C5WC		3X LINES: 60A 3Φ 600 VAC MAX 4X N/O AUXILIARY CONTACTS: 10A 120 VAC/3A 24 VDC	CABLE DIA.: .50" min. / 1.45" max. 12.7 mm min/37 mm max	BLACK
HBLS460C6WC		3X LINES: 60A 3Φ 600 VAC MAX 4X N/O AUXILIARY CONTACTS: 10A 120 VAC/3A 24 VDC	CABLE DIA.: .50" min. / 1.45" max. 12.7 mm/37 mm max	GREY
HBLS460C7WC		3X LINES: 60A 3Φ 600 VAC MAX 4X N/O AUXILIARY CONTACTS: 10A 120 VAC/3A VDC	CABLE DIA.: .50" min. / 1.45" max. 12.7 mm min/37 mm max	RED

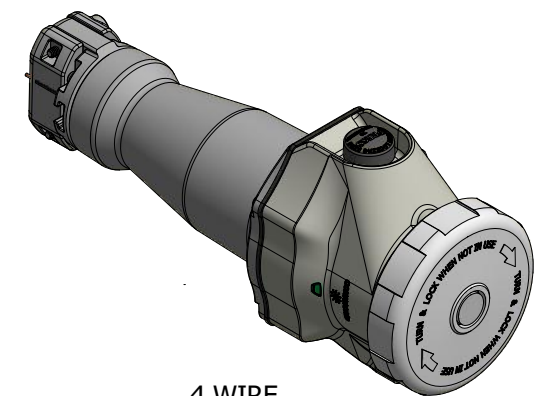
HP RATING	
VOLTAGE	HP RATING
3Φ 250 VAC	10 HP
3Φ 480 VAC	30 HP
3Φ 600 VAC	40 HP



HBLS460C7WC SHOWN



LIST OF PARTS		
DESCRIPTION	MATERIAL	FINISH
HOUSINGS	PBT	
INTERIOR	NYLON	
SLEEVES	BRASS	
PHASE, NEUTRAL& GND CONTACTS	BER. COPPER	
TERMINAL SCREWS	SS	
HINGE & LID	PBT	
HINGE PIN & SPRING	SS	
GLAND CAP	PBT	
GLAND CLAMPS	PBT	
CLAMP NUTS	BRASS	NICKEL
ASSY SCREWS	SS	
GLAND	NEOPRENE	
LED WINDOW	POLYCARBONATE	
HOUSING GASKET	RUBBER	



4 WIRE SWITCHED CONNECTOR w/ AUXILIARY CONNECTIONS

2	REMOVED SINGLE PH VOLTAGES FROM TABLE & ADDED 3Ø 250 VAC PER DCN 220711022022	WHD	7/18/2022
1	RELEASED FOR PRODUCTION PER DCN 211210015243	WHD	1/22/22
SYM	DESCRIPTION	APPROVED	DATE

THE DESIGN AND DIMENSIONS OF THE PRODUCT SHOWN ON THIS DRAWING ARE SUBJECT TO CHANGE WITHOUT NOTICE

TITLE
60A , 3P/4W, SWITCHED PIN & SLEEVE CONNECTOR W/ AUXILIARY CONTACTS

TOLERANCES UNLESS OTHERWISE SPECIFIED		WIRING DEVICE-KELLEMS HUBBELL INCORPORATED SHELTON, CT	
FRACTIONS	±1/64	DR. BY	wdietz
DECIMALS	±.005	APP. BY	DSL
ANGLES	±2°	TR. BY	WHD
		SCALE	
		CHK'D BY	DSL
		DATE	1/5/2022

"CAUTION: Risk of electric shock. Review premises carefully and do not use if this pin or sleeve configuration (design) is already in a circuit having a rating differing from the intended rating as marked on this device."