

M-14489

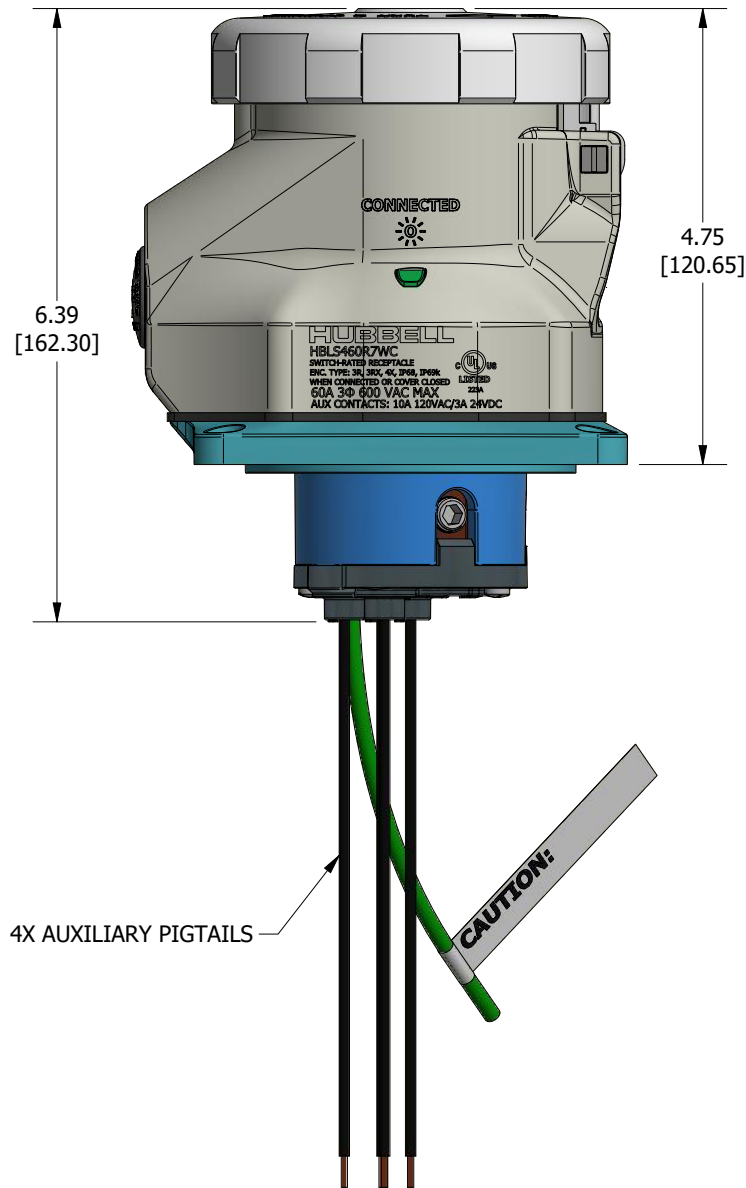
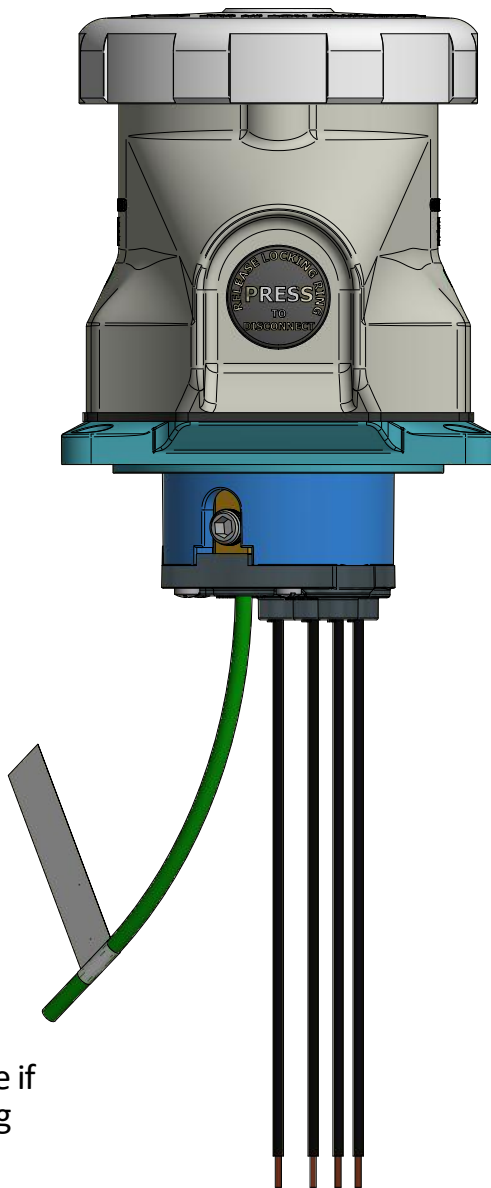
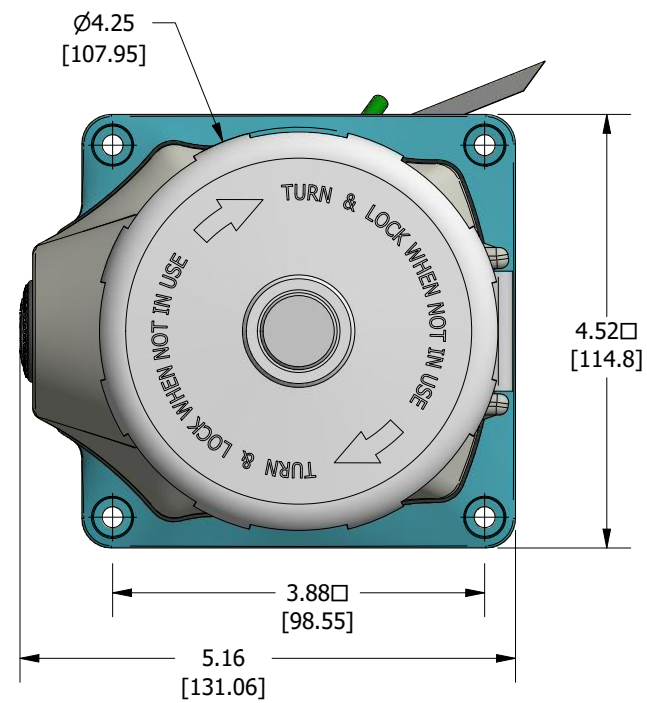
2

CONFIGURATION TABLE

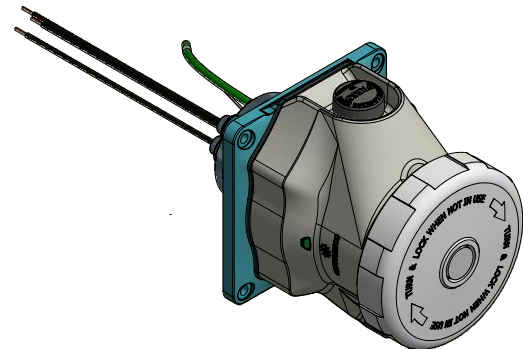
CAT NO.	CONFIGURATION	RATING	HSG COLOR
HBLS460R5WC		3X LINES: 60A 3Φ 600 VAC MAX 4X N/O AUXILIARY CONTACTS: 10A 120 VAC/3A 24 VDC	BLACK
HBLS460R6WC		3X LINES: 60A 3Φ 600 VAC MAX 4X N/O AUXILIARY CONTACTS: 10A 120 VAC/3A 24 VDC	GREY
HBLS460R7WC		3X LINES: 60A 3Φ 600 VAC MAX 4X N/O AUXILIARY CONTACTS: 10A 120 VAC/3A 24 VDC	RED

HP RATING	
VOLTAGE	HP RATING
3Φ 250 VAC	10 HP
3Φ 480 VAC	30 HP
3Φ 600 VAC	40 HP

HBLS460R7WC SHOWN



LIST OF PARTS		
DESCRIPTION	MATERIAL	FINISH
HOUSINGS	PBT	
INTERIOR	NYLON	
SLEEVES	BRASS	
PHASE, NEUTRAL & GND CONTACTS	BER. COPPER	
TERMINAL SCREWS	SS	
HINGE & LID	PBT	
HINGE PIN & SPRING	SS	
ASSY SCREWS	SS	
LED WINDOW	POLYCARBONATE	
HOUSING GASKET	FOAM RUBBER	



4 WIRE SWITCHED RECEPTACLE w/ AUXILIARY CONNECTIONS

2	REMOVED SINGLE ph RATINGS, ADDED 3Ø 250 VAC PER DCN 220711022022	WHD	7/18/22
1	RELEASED FOR PRODUCTION PER DCN 211210015243	WHD	1/19/22
SYM	DESCRIPTION	APPROVED	DATE

THE DESIGN AND DIMENSIONS OF THE PRODUCT SHOWN ON THIS DRAWING ARE SUBJECT TO CHANGE WITHOUT NOTICE

TITLE  
60A, 3P/4W, SWITCHED PIN & SLEEVE RECEPTACLE W/ AUXILIARY CONTACTS

TOLERANCES UNLESS OTHERWISE SPECIFIED		WIRING DEVICE-KELLEMS HUBBELL INCORPORATED SHELTON, CT	
FRACTIONS	±1/64	DR. BY	wdietz
DECIMALS	±.005	APP. BY	DSL
ANGLES	±2°	TR. BY	WHD
		SCALE	
		CHK'D BY	DSL
		DATE	1/19/2022

"CAUTION: Risk of electric shock. Review premises carefully and do not use if this pin or sleeve configuration (design) is already in a circuit having a rating differing from the intended rating as marked on this device."

DIMENSION SHEET FOR CAT. NO.   
 REPAIRABLE    
 NON-REPAIRABLE    
**B**   
**M-14489**   
**2**