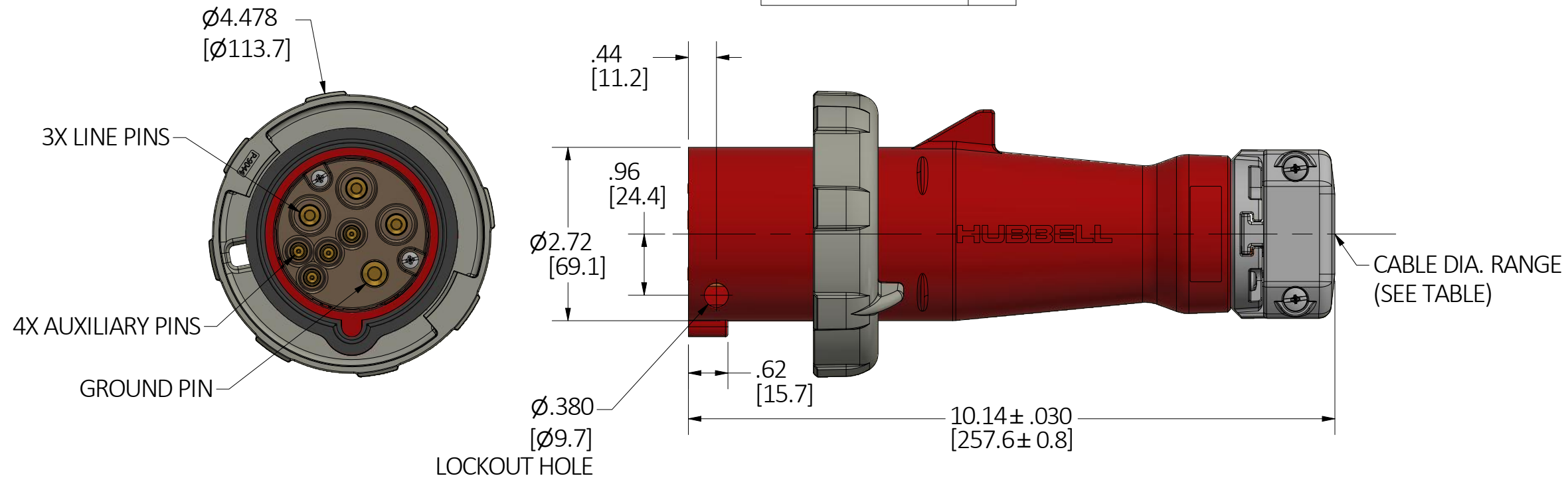


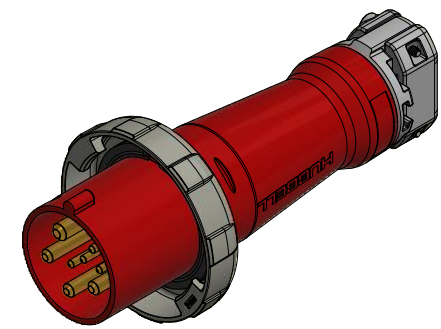
M-14490

2



HBSL460P7WC SHOWN

LIST OF PARTS		
DESCRIPTION	MATERIAL	FINISH
HOUSING	PBT	
GASKET	NEOPRENE	
LOCKING RING	PBT	
INTERIOR	NYLON	
PINS	BRASS	
TERM. SCREWS	ST. STEEL	
GLAND CAP	PBT	
GLAND	NEOPRENE	
CLAMPS	PBT	
CLAMP NUTS	BRASS	NICKEL
ASSY SCREWS	ST. STEEL	



CONFIGURATION TABLE				
CAT NO.	CONFIGURATION	RATING	CABLE DIA. RANGE	HSG COLOR
HBSL460P5WC		3X LINES: 60A 3Φ 600 VAC MAX 4X AUXILIARY CONTACTS: 10A 120 VAC/3A 24 VDC	.50 MIN [23.1] 1.45 MAX [36.8]	BLACK
HBSL460P6WC		3X LINES: 60A 3Φ 600 VAC MAX 4X AUXILIARY CONTACTS: 10A 120 VAC/3A 24 VDC	.50 MIN [23.1] 1.45 MAX [36.8]	GREY
HBSL460P7WC		3X LINES: 60A 3Φ 600 VAC MAX 4X AUXILIARY CONTACTS: 10A 120 VAC/3A 24 VDC	.50 MIN [23.1] 1.45 MAX [36.8]	RED

HP RATING	
VOLTAGE	HP RATING
3Φ 250 VAC	10 HP
3Φ 480 VAC	30 HP
3Φ 600 VAC	40 HP

"CAUTION: Risk of electric shock. Review premises carefully and do not use if this pin or sleeve configuration (design) is already in a circuit having a rating differing from the intended rating marked on this device."

2	REMOVED SINGLE ph VOLTAGES FROM TABLE & ADDED 3Φ 250VAC PER DCN 220711022022	WHD	7/2022
1	RELEASED PER DCN 211210015243	WHD	12/29/21
REV	DESCRIPTION	APP	DATE

THE DESIGN AND DIMENSIONS OF THE PRODUCT SHOWN ON THIS DRAWING ARE SUBJECT TO CHANGE WITHOUT NOTICE. DIMENSIONS ARE IN INCHES [mm].

TITLE
60A, 3P/4W SWITCHED PIN AND SLEEVE PLUG W/ AUXILIARY CONTACTS



WIRING DEVICE-KELLEMS
HUBBELL INCORPORATED
SHELTON, CT

TOLERANCES UNLESS OTHERWISE SPECIFIED
.XX = ± .01
.XXX = ± .005
ANGLE TOL. ±2°

DR. BY	WHD	SCALE	1:2
CHK. BY	DSL	DATE	12/29/21