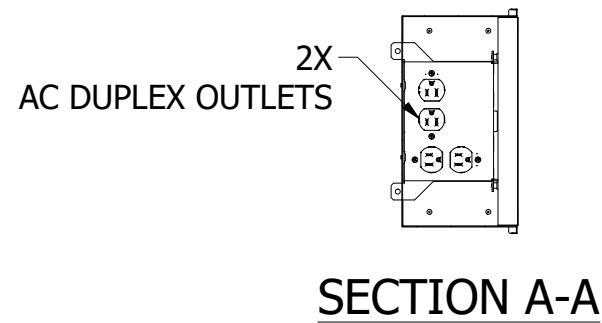
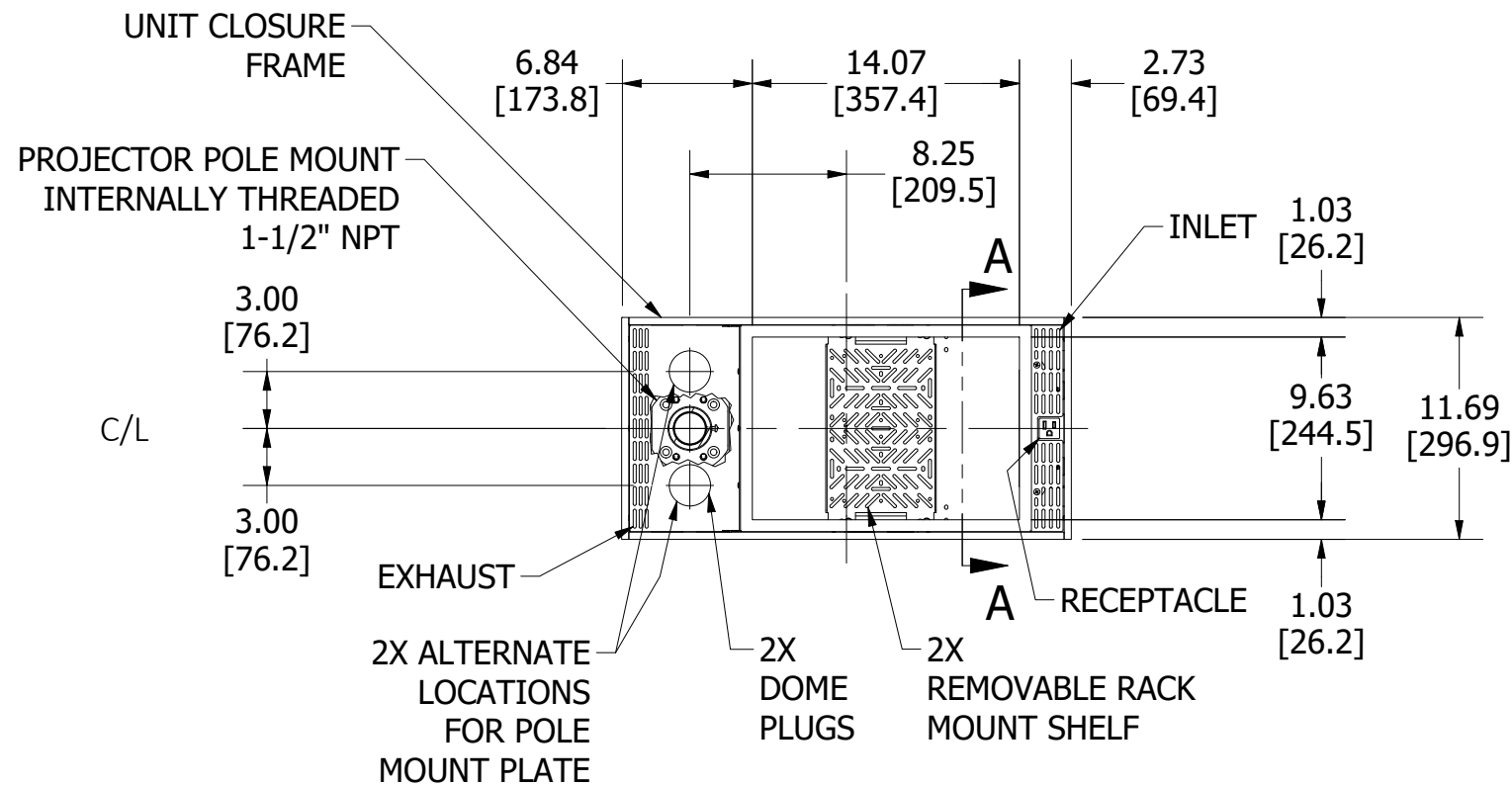
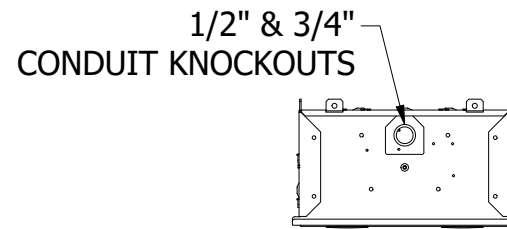
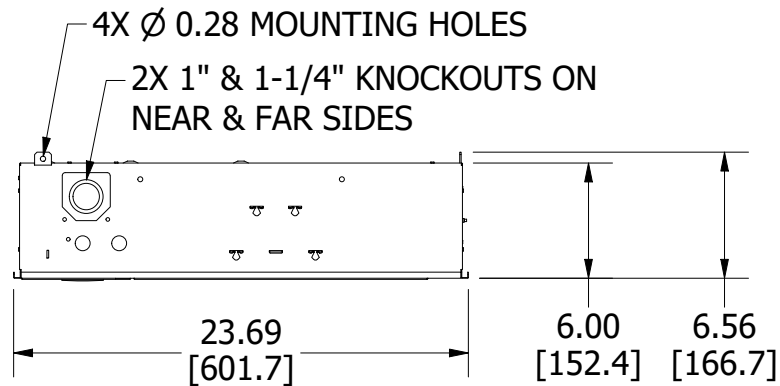
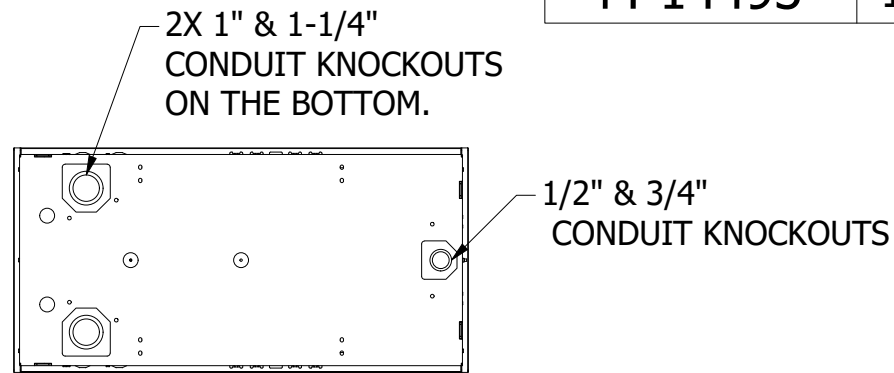
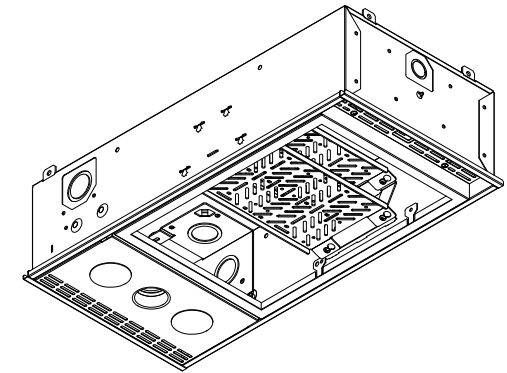


M-14493

1



LIST OF PARTS		
DESCRIPTION	MATERIAL	FINISH
BOX	STEEL	PAINTED
SIDE COVERS	STEEL	PAINTED
UNIT CLOSURE FRAME	STEEL	PAINTED
REMOVABLE RACKS	ALUMINUM	NONE
RACK MOUNTS	ALUMINUM	NONE
BRACKETS	STEEL	ZINC
AC OUTLET UNIT	STEEL	ZINC
POLE MOUNT BOX	STEEL	ZINC
POLE MOUNT PLATE	STEEL	ZINC

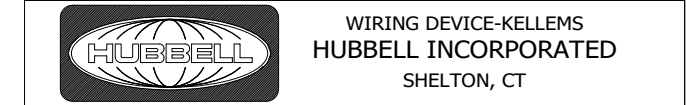


ISOMETRIC VIEW

1	DRAWING RELEASE PER EC 230412029420 TRS	SW	04/11/23
REV	DESCRIPTION	APP	DATE

THE DESIGN AND DIMENSIONS OF THE PRODUCT SHOWN ON THIS DRAWING ARE SUBJECT TO CHANGE WITHOUT NOTICE. DIMENSIONS ARE IN INCHES [mm].

TITLE
 RECESS CEILING
 BOX, 1'X2', WHT, W/POLE ADPT



TOLERANCES UNLESS OTHERWISE SPECIFIED .XX = ±.01 .XXX = ±.005 ANGLE TOL. ±2'	DR. BY VKK/TS	SCALE 1 : 10
	CHK. BY SW	DATE 12/27/21

- NOTES:
1. ALL DIMENSIONS ARE IN INCHES AND [MILLIMETERS].
 2. COMPLIES WITH UL 62368-1.
 3. COMPATIBLE WITH HRCB12HCFK HARD CEILING FRAME KIT.
 4. PROJECTOR POLE MOUNT CAN SUPPORT UP TO 50 LBS.
 5. REFERENCE INSTALLATION INSTRUCTION PD-3027.

DIMENSION SHEET FOR CAT. NO. HRCB12PWHT
B
 M-14493
1