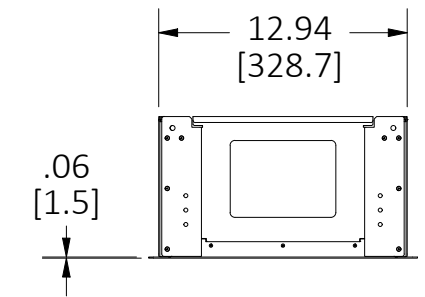
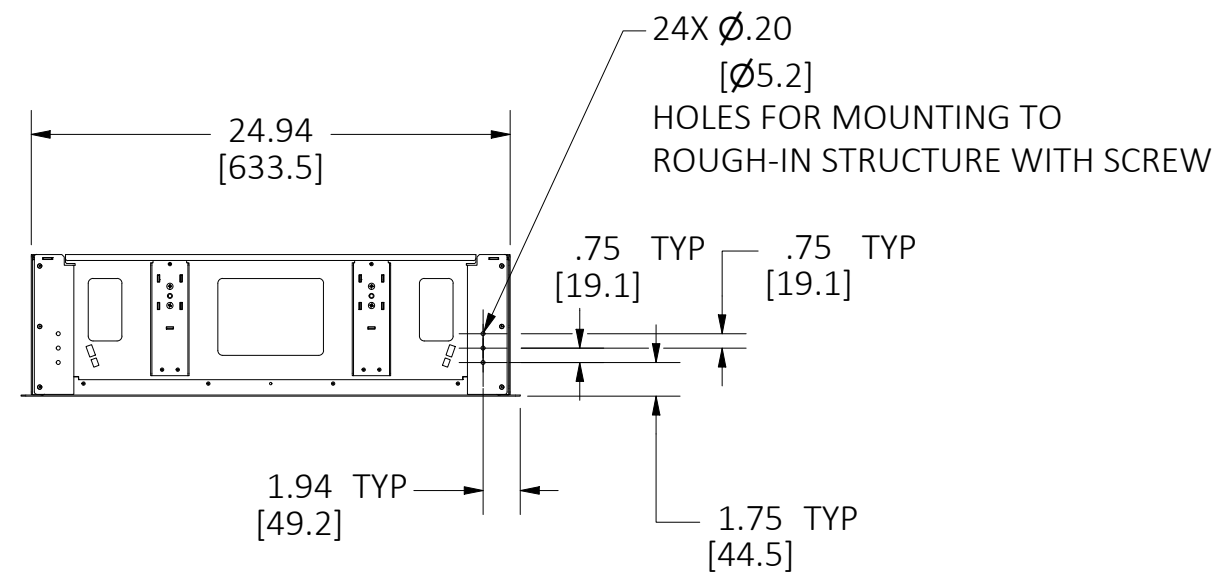
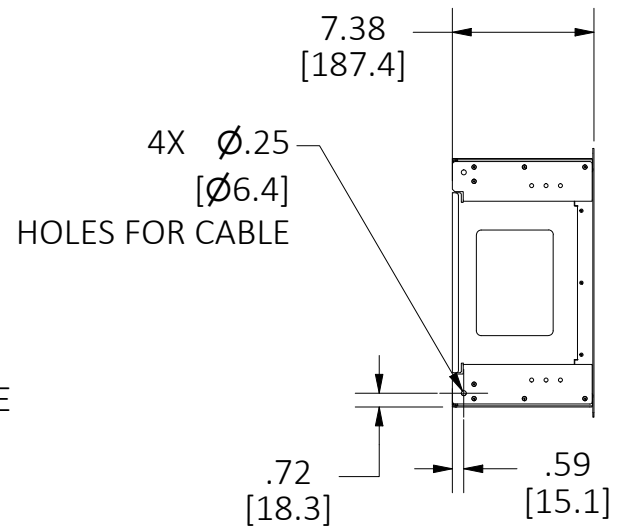
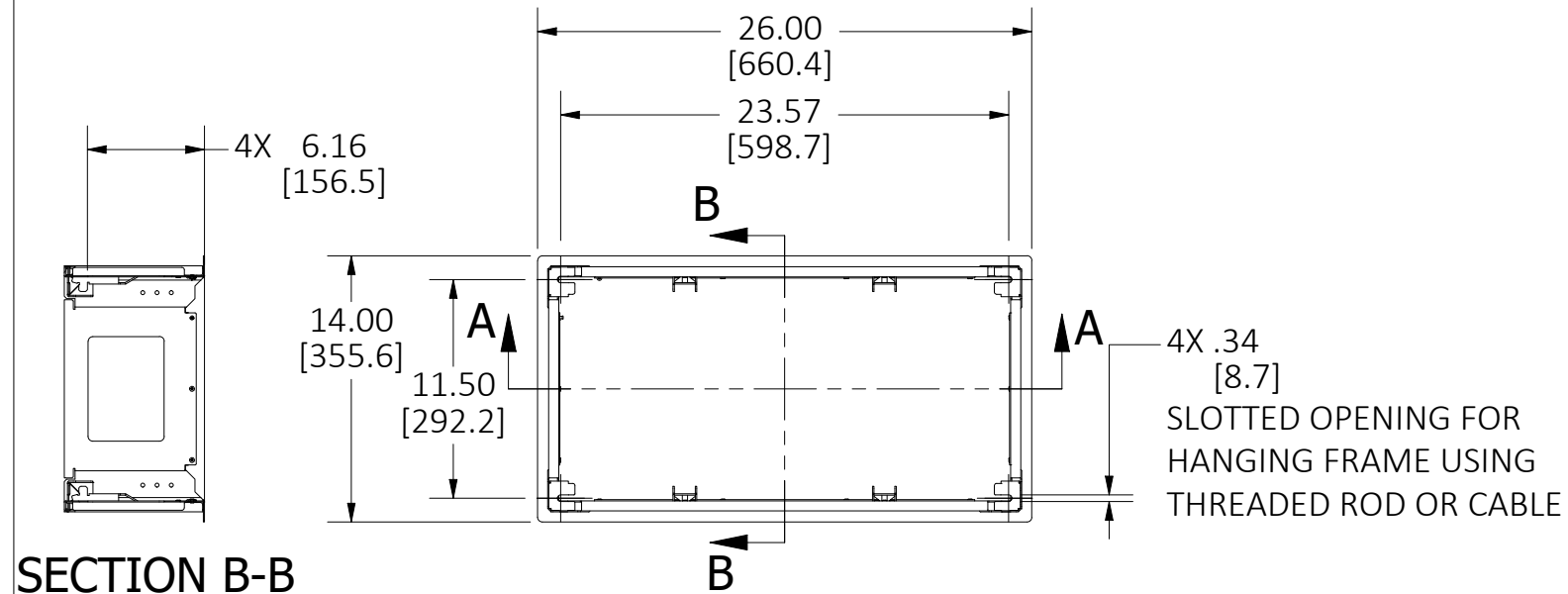
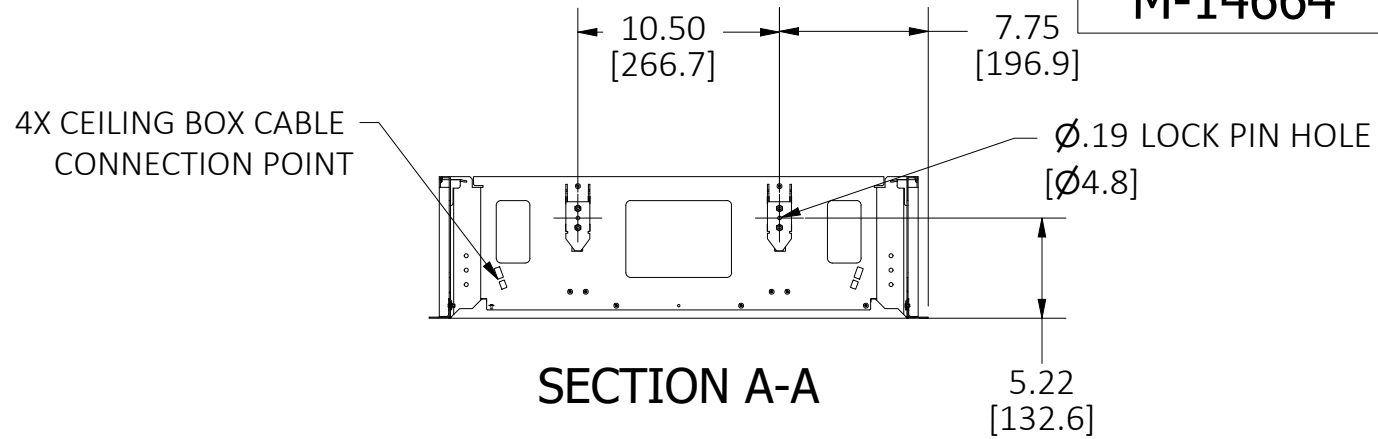
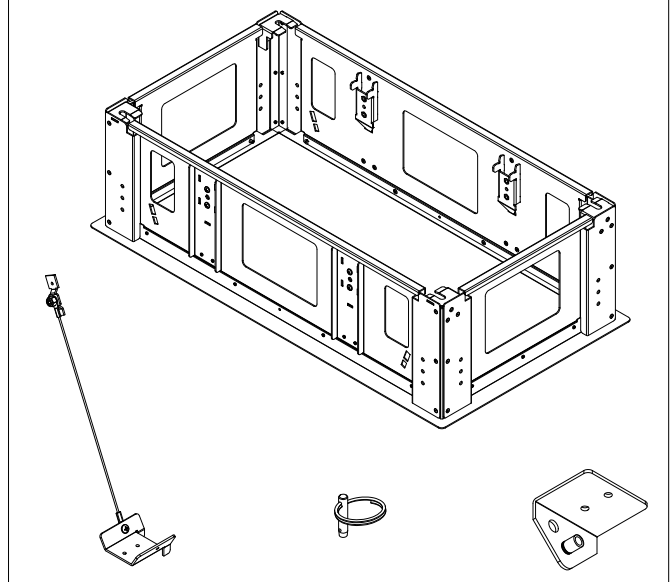


M-14664

1




LIST OF PARTS		
DESCRIPTION	MATERIAL	FINISH
FRAME	STEEL	ZINC
LOCK PINS	STEEL	ZINC
INNER BRACKET	STEEL	ZINC
OUTER BRACKET	STEEL	ZINC
FASTENERS	STEEL	ZINC
LABELS	PLASTIC/POLYESTER	N/A



REV	DESCRIPTION	APP	DATE
1	DRAWING RELEASE PER EC 230412029420 TRS		04/11/23

THE DESIGN AND DIMENSIONS OF THE PRODUCT SHOWN ON THIS DRAWING ARE SUBJECT TO CHANGE WITHOUT NOTICE. DIMENSIONS ARE IN INCHES [mm].

TITLE  
HRCB12 HARD CEILING FRAME KIT


 WIRING DEVICE-KELLEMS  
 HUBBELL INCORPORATED  
 SHELTON, CT

TOLERANCES UNLESS OTHERWISE SPECIFIED .XX = ± .01 .XXX = ± .005 ANGLE TOL. ±2'	DR. BY CHK. BY	DRM/TS SW	SCALE DATE
			1 / 10 02/21/23

- NOTES:
1. ALL DIMENSIONS ARE IN INCHES AND [MILLIMETERS].
  2. ROUGH OPENING SIZE 13" X 25" +/- 1/16".
  3. COMPATIBLE WITH 1' X 2' RECESSED CEILING BOXES, HRCB12WHT & HRCB12PWHT.
  4. CAN BE INSTALLED USING AVAILABLE CABLE OR THREADED ROD MOUNTING KITS: HRCBMNT1 OR HRCBTHRD.
  5. REFERENCE INSTALLATION INSTRUCTION PD-3035.