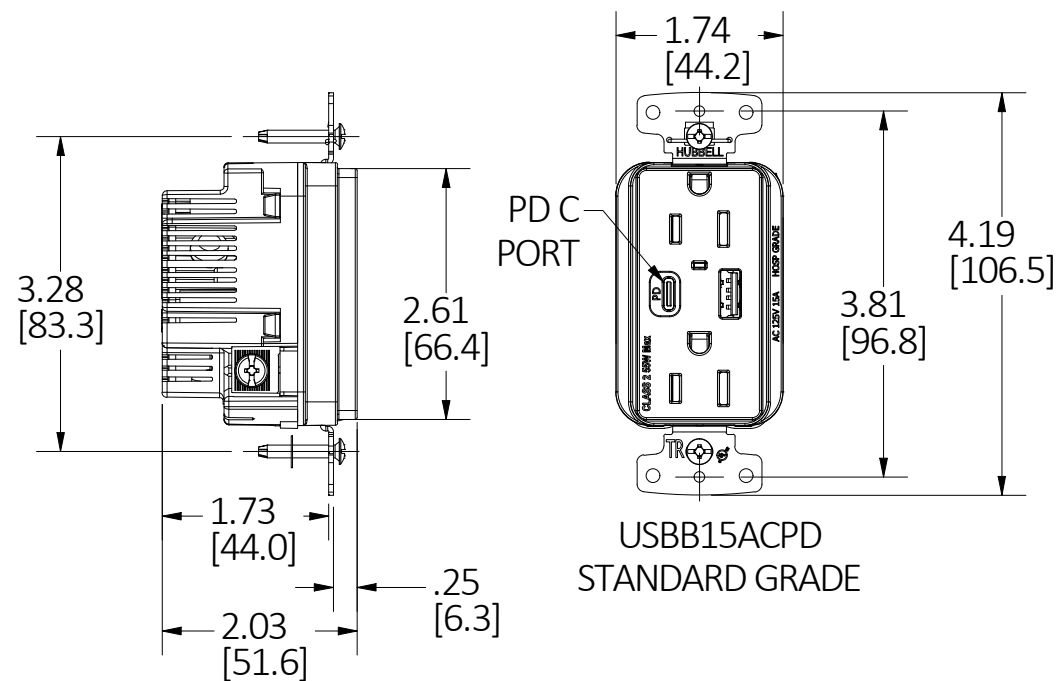
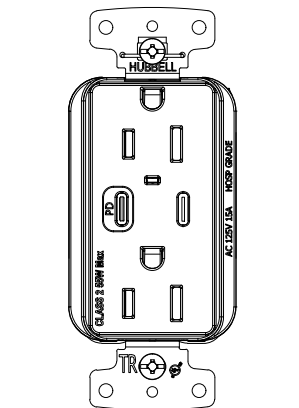


M-14681

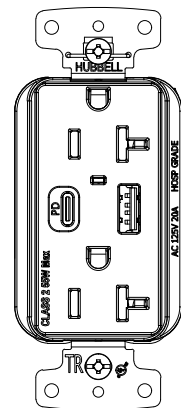
1



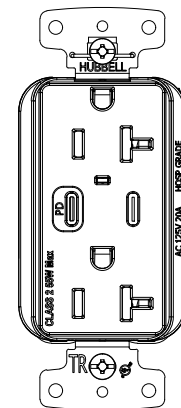
USB B15ACPD
STANDARD GRADE



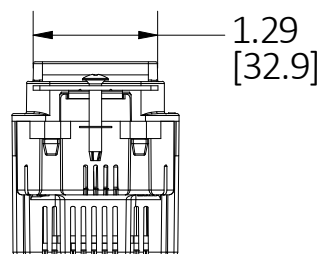
USB B15CPD
STANDARD GRADE



USB B20ACPD
STANDARD GRADE



USB B20CPD
STANDARD GRADE



NOTES:

1. ALL DIMENSIONS ARE IN INCHES [mm].
2. WHITE LED INDICATES POWERED, WHEN A DEVICE PLUGGED INTO AN USB PORT, LED TURNS BLUE INDICATING CHARGING.
3. USB CHARGER OUTPUT CLASS 2 55W Max.

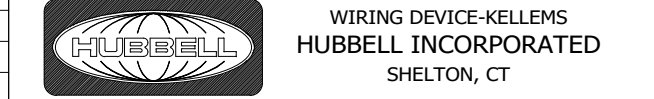
USB PORT	1 PORT ACTIVE	2 PORTS ACTIVE
PD C	20VDC-2.75A	20VDC-2.25A
	5VDC-3A, 9VDC-3A, 12VDC-3A, 15VDC-3A	
A or C	5VDC-1.5A	

LIST OF PARTS		
DESCRIPTION	MATERIAL	FINISH
COVER	THERMOPLASTIC	COLOR PER CAT.#
BASE	THERMOPLASTIC	BLACK
STRAP	GALV. STEEL	
MOUNTING SCREW	STEEL	Zn PLATE
GROUND SCREW	STEEL	Zn PLATE + GREEN DYE
TERM. SCREW (H)	STEEL	BRASS PLATE
TERM. SCREW (N)	STEEL	NICKEL PLATE
TERMINALS	COPPER ALLOY	
LIGHT PIPE	THERMOPLASTIC	TRANSPARENT

1	NEW RELEASE PER DCN #230403029197. PSV D.LI		6/15/23
REV	DESCRIPTION	APP	DATE

THE DESIGN AND DIMENSIONS OF THE PRODUCT SHOWN ON THIS DRAWING ARE SUBJECT TO CHANGE WITHOUT NOTICE. DIMENSIONS ARE IN INCHES [mm].

TITLE
BRYANT, 15A/20A 125VAC DUPLEX TR RCPT W/ CLASS 2 55W Max. USB CHARGER



TOLERANCES UNLESS OTHERWISE SPECIFIED .XX = ± .01 .XXX = ± .005 ANGLE TOL. ±2°	DR. BY D.LI	SCALE 1/2
CHK. BY	DATE 05/02/23	

15A 125VAC RECEPTACLE			20A 125VAC RECEPTACLE		
CATALOG	DESCRIPTION	COLOR	CATALOG	DESCRIPTION	COLOR
USBB15ACPD	15A DUPLEX TR RCPT W/ (1) A AND (1) POWER DELIVERY C USB PORTS, BR	BROWN	USBB20ACPD	20A DUPLEX TR RCPT W/ (1) A AND (1) POWER DELIVERY C USB PORTS, BR	BROWN
USBB15ACPDI	15A DUPLEX TR RCPT W/ (1) A AND (1) POWER DELIVERY C USB PORTS, IV	IVORY	USBB20ACPDI	20A DUPLEX TR RCPT W/ (1) A AND (1) POWER DELIVERY C USB PORTS, IV	IVORY
USBB15ACPDW	15A DUPLEX TR RCPT W/ (1) A AND (1) POWER DELIVERY C USB PORTS, WH	WHITE	USBB20ACPDW	20A DUPLEX TR RCPT W/ (1) A AND (1) POWER DELIVERY C USB PORTS, WH	WHITE
USBB15ACPDLA	15A DUPLEX TR RCPT W/ (1) A AND (1) POWER DELIVERY C USB PORTS, LA	LIGHT ALMOND	USBB20ACPDLA	20A DUPLEX TR RCPT W/ (1) A AND (1) POWER DELIVERY C USB PORTS, LA	LIGHT ALMOND
USBB15ACPDGY	15A DUPLEX TR RCPT W/ (1) A AND (1) POWER DELIVERY C USB PORTS, GY	GRAY	USBB20ACPDGY	20A DUPLEX TR RCPT W/ (1) A AND (1) POWER DELIVERY C USB PORTS, GY	GRAY
USBB15ACPDBK	15A DUPLEX TR RCPT W/ (1) A AND (1) POWER DELIVERY C USB PORTS, BK	BLACK	USBB20ACPDBK	20A DUPLEX TR RCPT W/ (1) A AND (1) POWER DELIVERY C USB PORTS, BK	BLACK
USBB15CPD	15A DUPLEX TR RCPT W/ (1) C AND (1) POWER DELIVERY C USB PORTS, BR	BROWN	USBB20CPD	20A DUPLEX TR RCPT W/ (1) C AND (1) POWER DELIVERY C USB PORTS, BR	BROWN
USBB15CPDI	15A DUPLEX TR RCPT W/ (1) C AND (1) POWER DELIVERY C USB PORTS, IV	IVORY	USBB20CPDI	20A DUPLEX TR RCPT W/ (1) C AND (1) POWER DELIVERY C USB PORTS, IV	IVORY
USBB15CPDW	15A DUPLEX TR RCPT W/ (1) C AND (1) POWER DELIVERY C USB PORTS, WH	WHITE	USBB20CPDW	20A DUPLEX TR RCPT W/ (1) C AND (1) POWER DELIVERY C USB PORTS, WH	WHITE
USBB15CPDLA	15A DUPLEX TR RCPT W/ (1) C AND (1) POWER DELIVERY C USB PORTS, LA	LIGHT ALMOND	USBB20CPCLA	20A DUPLEX TR RCPT W/ (1) C AND (1) POWER DELIVERY C USB PORTS, LA	LIGHT ALMOND
USBB15CPDGY	15A DUPLEX TR RCPT W/ (1) C AND (1) POWER DELIVERY C USB PORTS, GY	GRAY	USBB20CPDGY	20A DUPLEX TR RCPT W/ (1) C AND (1) POWER DELIVERY C USB PORTS, GY	GRAY
USBB15CPDBK	15A DUPLEX TR RCPT W/ (1) C AND (1) POWER DELIVERY C USB PORTS, BK	BLACK	USBB20CPDBK	20A DUPLEX TR RCPT W/ (1) C AND (1) POWER DELIVERY C USB PORTS, BK	BLACK

CAGE CODE 74545

DIMENSION SHEET FOR CAT. NO. SEE TABLE

B

M-14681

1