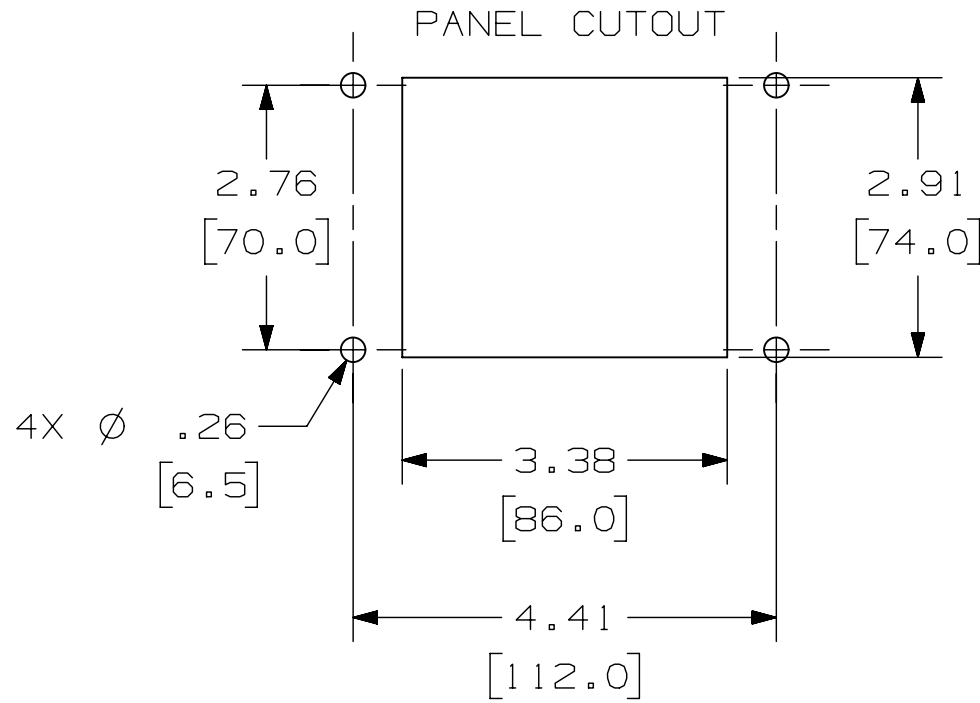
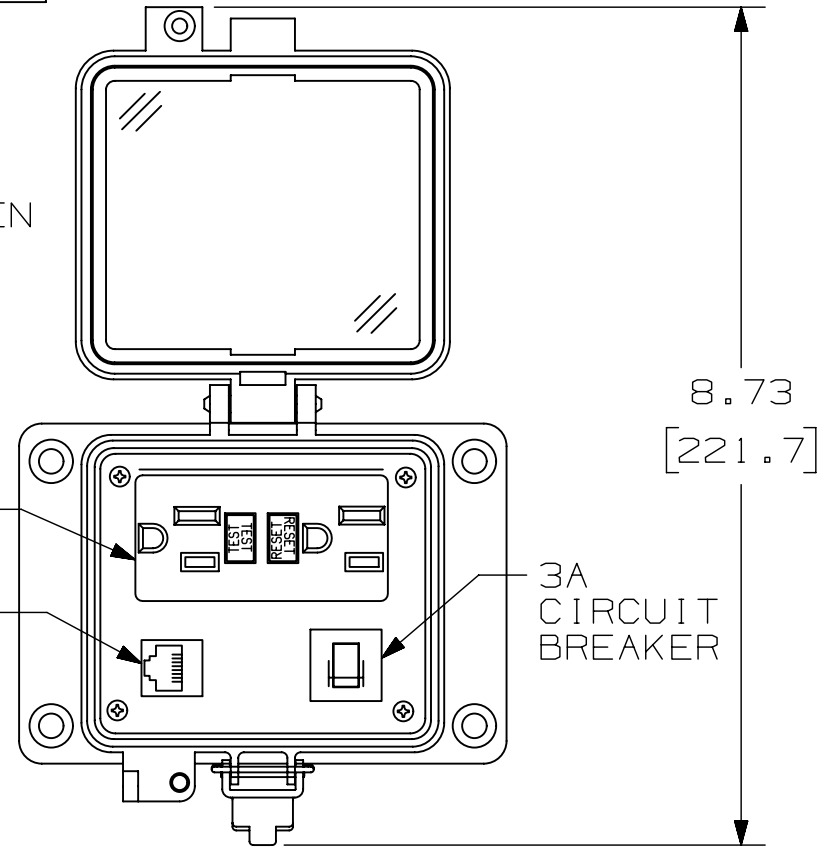


M-10083 8



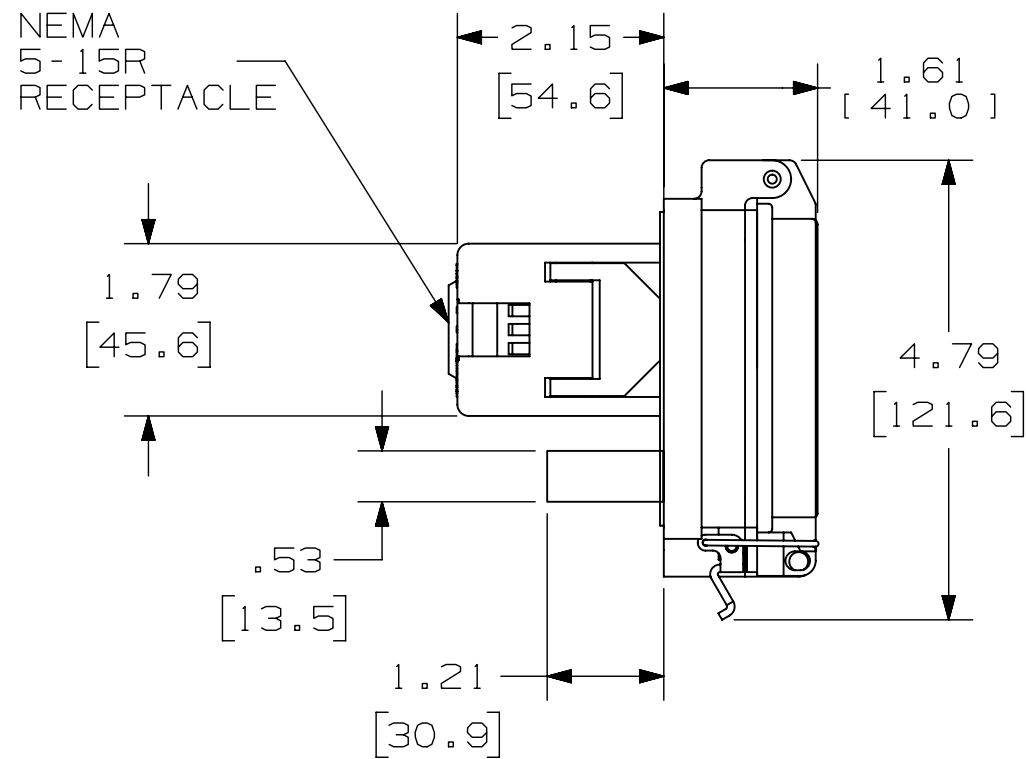
TOP VIEW
COVER OPEN



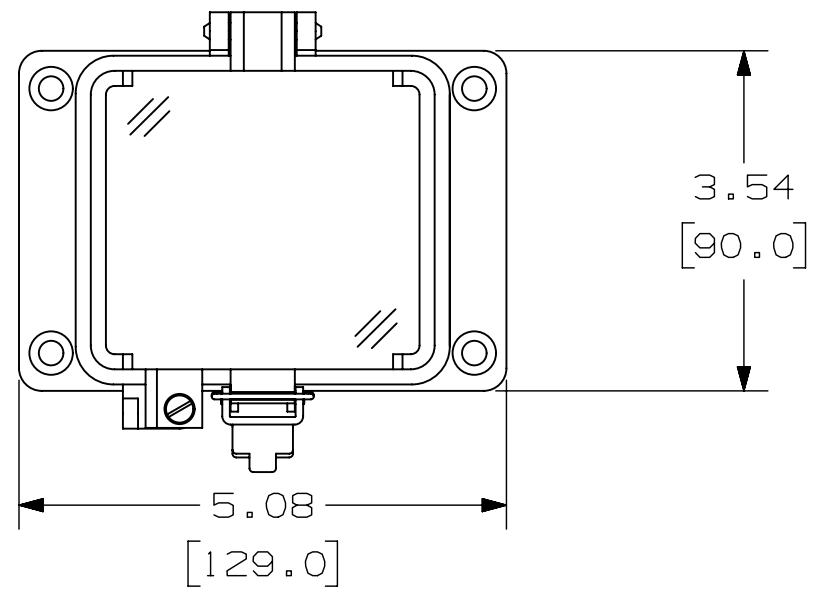
15A GFCI

CAT 5E
SEE TABLE FOR QTY

3A
CIRCUIT
BREAKER



NEMA
5-15R
RECEPTACLE



NOTE:

1. DIMENSIONS ARE NOMINAL VALUES AND SHOWN IN INCH [mm] UNITS. DIMENSIONS ARE FOR REFERENCE ONLY.
2. PROVIDED WITH A GASKET AND TWO SPADE TERMINAL CONNECTORS.

CATALOG	ENCLOSURE	DESCRIPTION
PR205EB	NEMA 4	CAT 5E, 15A GFCI, 3A CIRCUIT BREAKER
PR4X205EB	NEMA 4X	CAT 5E, 15A GFCI, 3A CIRCUIT BREAKER
PR205E2B	NEMA 4	CAT (2)5E, 15A GFCI, 3A CIRCUIT BREAKER

LIST OF PARTS

DESCRIPTION	MATERIAL	FINISH

8	IN TABLE FOR DESC. AND IN TITLE BLOCK: 15A WAS 20A; IN OPEN VIEW 15A DEVICE WAS 20A DCN 220113015989 RM	WOV	1/20/22
7	ADDED CATALOG PR205E2B TO TABLE; ADDED 'SEE TABLE FOR QTY' TO CAT 5E CALLOUT PER DCN191016094832 RM	GM	10/17/19
6	ADDED 1.61 [41.0] TO SIDE VIEW. REMOVED BOTTOM VIEW PER DCN 21006. MYA	DJP	2/20/15
5	ADDED NOTE 2. ADDED CALLOUTS FOR 20A GFCI, CAT 5E, 3A CIRCUIT BREAKER. PER DCN 19751 SPN	DJP	4/5/13
4	DIM. NOTE WAS, "NOMINAL DIM. -FOR REF. ONLY". REMOVE SUPPLIER LOGO, PART NO. & PRODUCT NAME FROM TOP VIEW.RELOCATED ALL VIEWS. NOW 4X Ø .26 WAS Ø .13 DCN 14126 GPK	JPP	7/31/07
3	NEMA 4 WAS NEMA 12/4 PER DCN 13470 RCM	SML	2/8/07
2	ADDED NOTE PER DCN 13221 ABS	SML	6/29/06
1	INITIAL RELEASE PER DCN. 13051	SML	4-11-06
SYM	REVISIONS	APP	DATE

THE DESIGN AND DIMENSIONS OF THE PRODUCT SHOWN ON THIS DRAWING ARE SUBJECT TO CHANGE WITHOUT NOTICE

TITLE PANEL-SAFE
CAT 5E ETHERNET,
15A GFCI, 3A CIRCUIT
BREAKER. NEMA 4, 4X

TOLERANCES UNLESS OTHERWISE SPECIFIED FRACTIONS ±1/64 DECIMALS ±.005 ANGLES ±2°	WIRING DEVICE-KELLEMS HUBBELL INCORPORATED BRIDGEPORT, CT	
	DR. BY TJV	APP. BY SML
	TR. BY	SCALE 1:2
	CHK'D BY SML	DATE 3-22-06

DIMENSION SHEET FOR CAT. NO. SEE TABLE
REPAIRABLE NON-REPAIRABLE B M-10083