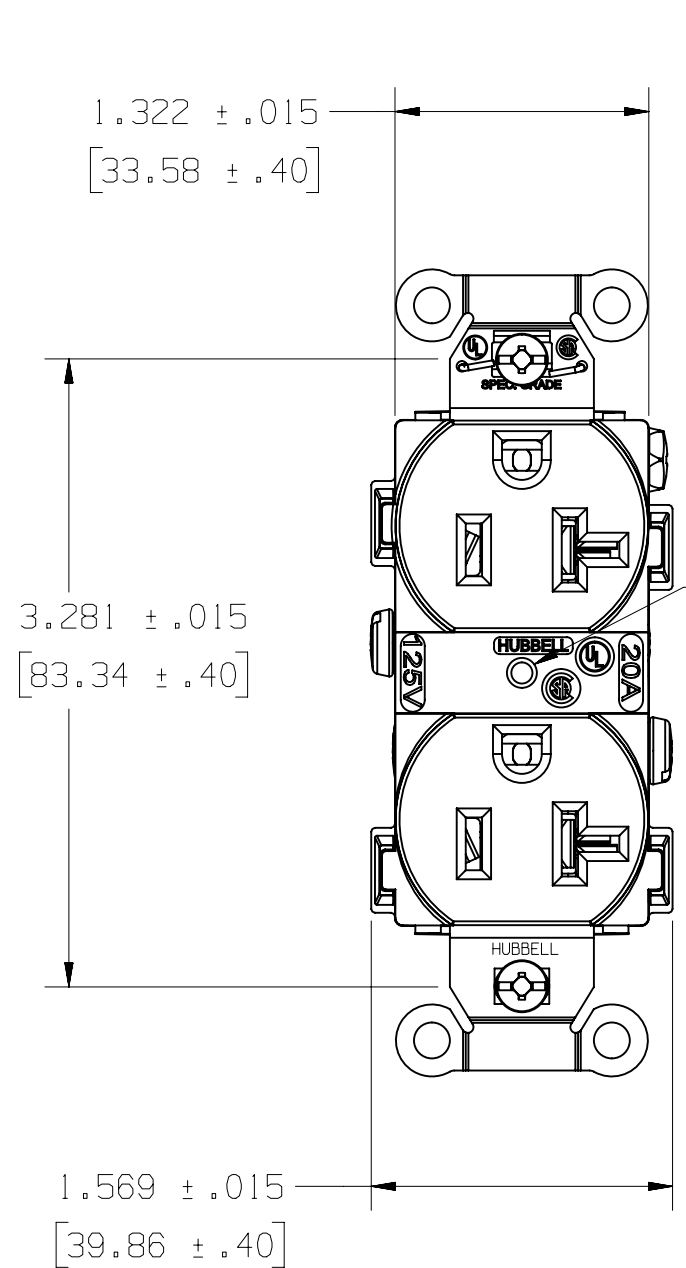
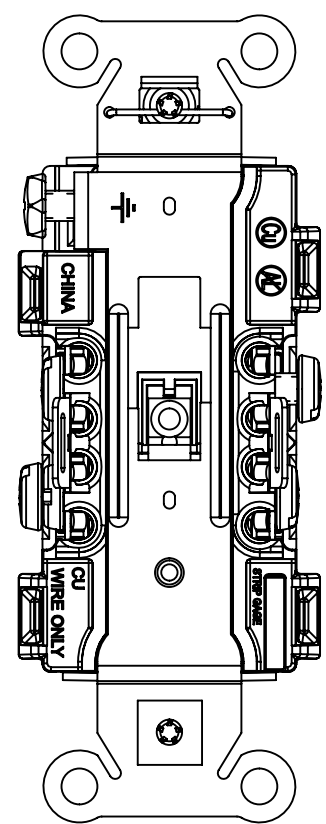
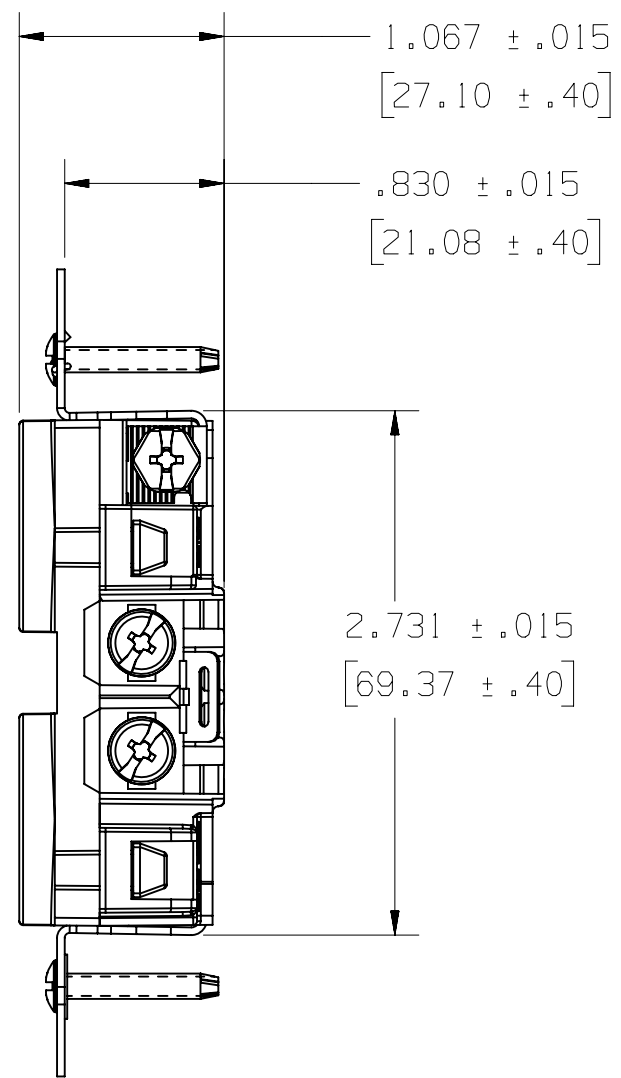


M-10318 6

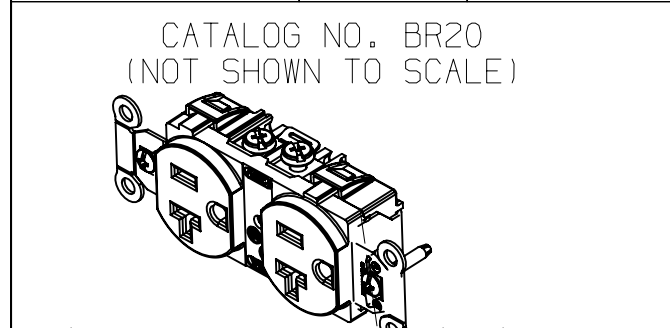


#6-32 TAP



NOTES:  
 1) DIMENSIONS ARE IN INCHES [MM].  
 2) ALL DEVICES UL LISTED, AND CSA CERTIFIED.  
 3) TERMINALS ACCOMMODATE #14-#10 AWG COPPER WIRE ONLY.

LIST OF PARTS		
DESCRIPTION	MATERIAL	FINISH
TOP	PC	SPI A-3
BASE	PC	SPI A-3
LINE CONTACTS	BRASS	
GROUND CONTACTS	BRASS	
CONTACT SCREW (NEU)	STEEL	NI PLT
CONTACT SCREW (HOT)	STEEL	
BRIDGE	.04 GALV STL	
GROUND SCREW	STEEL	GREEN
STAPLE	S.S.	
WASHER	PVC FILM	BLACK
MOUNTING SCREW	STEEL	ZINC PLT



SYM	REVISIONS	APP	DATE
6	REVISED NOTE 2, REMOVED FED SPEC, CHG MATL TOP AND BASE TO PC BR20GRY WAS BR20G, BR20WHI WAS BR20W, REMOVED OFFICE WHITE AND ALMOND EC 200227110910 JPQ	WHD	02/26/2020
5	REDRAWN WITH EMBEDDED CAD MODEL WITH NO CHANGES TO PART GEOMETRY. PER DCN 21895 SPN	DJP	02/05/16
4	ADDED CAT. NO. BR20GN TO TABLE PER DCN 21031. MYA	DJP	2/12/15
3	ADDED CAT. NOS. BR20BL & BR20R TO TABLE. PER DCN 19208 DDL	DJP	11/16/12
2	ADDED CAT. NOS. BR20AL & BR20LA PER DCN# 13864	WRV	08/02/07

THE DESIGN AND DIMENSIONS OF THE PRODUCT SHOWN ON THIS DRAWING ARE SUBJECT TO CHANGE WITHOUT NOTICE

TITLE HUBBELL  
 20A 125V, 2P 3W,  
 SMOOTH FACE DUPLEX RECEPT.  
 BACK & SIDE WIRE

TOLERANCES UNLESS OTHERWISE SPECIFIED  .XX = ± .01 .XXX = ± .005 ANGLES = ± 2°	WIRING DEVICE-KELLEMS HUBBELL INCORPORATED SHELTON, CT	
	DR. BY WRV	APP. BY
	TR. BY	SCALE 1:1
	CHK. BY	DATE 3/07

HUBBELL CATALOG NUMBERS											
BROWN	IVORY	GRAY	WHITE	BLACK		BLUE	LIGHT ALMOND	RED	ORANGE		GREEN
BR20	BR20I	BR20GRY	BR20WHI	BR20BLK		BR20BL	BR20LA	BR20R	-----		BR20GN

DIMENSION SHEET FOR CAT. NO. M-10318  
 SEE TABLE  
 REPAIRABLE   
 NON-REPAIRABLE   
 B  
 M-10318  
 6