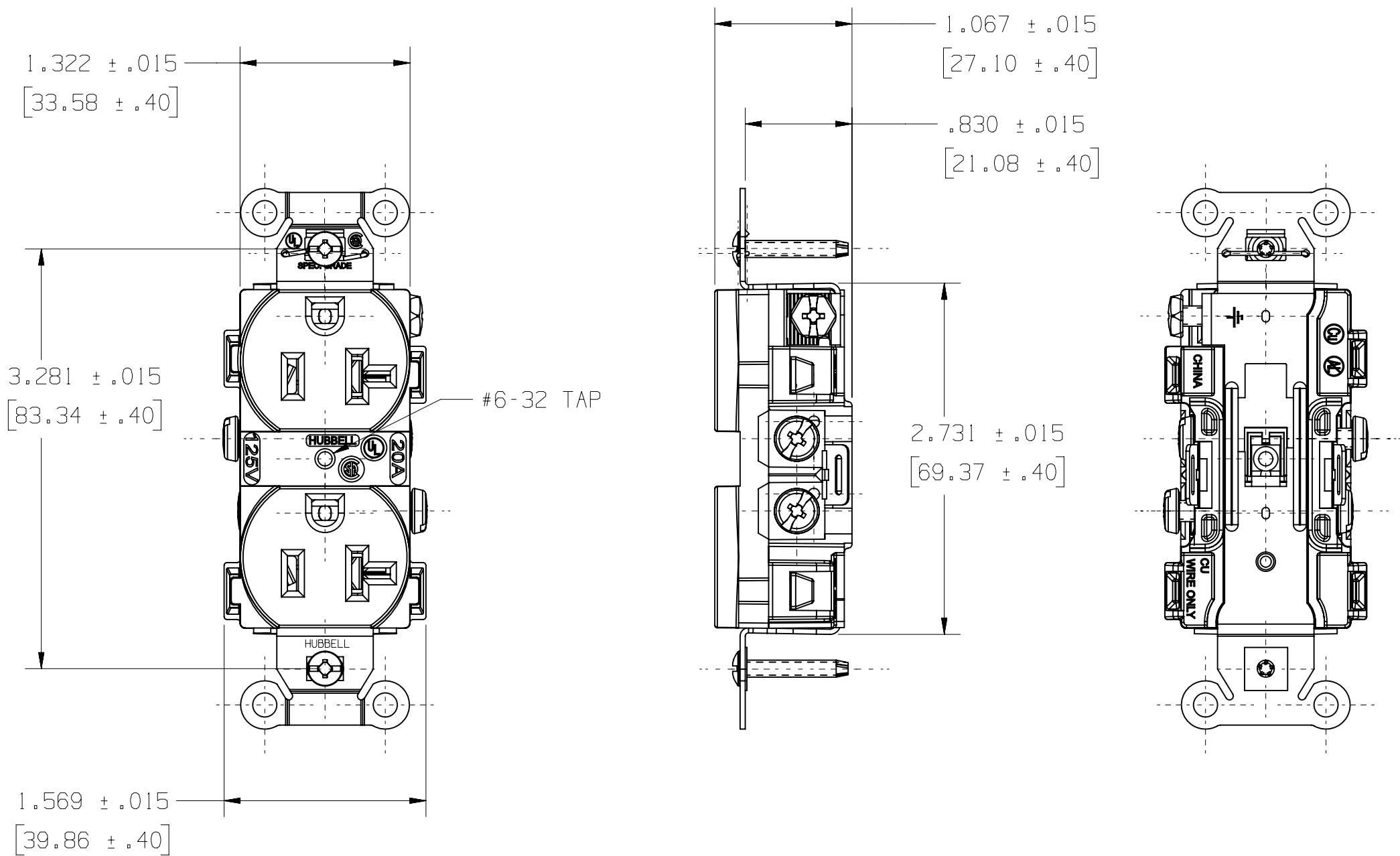


M-10319 4



NOTES:
 1) DIMENSIONS ARE IN INCHES [MM].
 2) ALL DEVICES UL LISTED, AND CSA CERTIFIED.
 3) TERMINALS ACCOMMODATE #14-#10 AWG COPPER WIRE ONLY.

CATALOG NUMBERS

	BROWN	IVORY	GRAY	WHITE	BLACK		BLUE	LIGHT ALMOND	RED	ORANGE	
HUBBELL	CR20	CR20I	CR20GRY	CR20WHI	CR20BLK		CR20BL	CR20LA	CR20R	-----	

LIST OF PARTS		
DESCRIPTION	MATERIAL	FINISH
TOP	PC	SPI A-3
BASE	PC	SPI A-3
LINE CONTACTS	BRASS	
GROUND CONTACTS	BRASS	
CONTACT SCREW (NEU)	STEEL	NI PLT
CONTACT SCREW (HOT)	STEEL	
BRIDGE	.04 GALV STL	
GROUND SCREW	STEEL	GREEN
STAPLE	S.S.	
WASHER	PVC FILM	BLACK
MOUNTING SCREW	STEEL	ZINC PLT

REPAIRABLE <input type="checkbox"/>	NON-REPAIRABLE <input type="checkbox"/>
-------------------------------------	---

SYM	REVISIONS	APP	DATE
4	REVISED NOTE 2, REMOVED FED SPEC, CHG MATL TOP AND BASE TO PC, REMOVED OFFICE WHITE & ALMOND EC 200227110910 JPQ	WHD	02/26/2020
3	ADDED CAT. NOS. CR20BL & CR20R TO TABLE. PER DCN 19208 DDL	DJP	11/16/12
2	ADDED CAT. NOS. CR20AL & CR20LA PER DCN# 13864	WRV	08/02/07
1	RELEASED PER DCN# 13786 WRV		03/27/07

THE DESIGN AND DIMENSIONS OF THE PRODUCT SHOWN ON THIS DRAWING ARE SUBJECT TO CHANGE WITHOUT NOTICE

TITLE HUBBELL
 20A 125V, 2P 3W,
 SMOOTH FACE DUPLEX RECEPT.
 SIDE WIRE

TOLERANCES UNLESS OTHERWISE SPECIFIED .XX = ± .01 .XXX = ± .005 ANGLES = ± 2°	WIRING DEVICE-KELLEMS HUBBELL INCORPORATED SHELTON, CT	
	DR. BY WRV	APP. BY
	TR. BY	SCALE 1:1
	CHK. BY	DATE 3/07

DIMENSION SHEET FOR CAT. NO. M-10319 4
 REPAIRABLE NON-REPAIRABLE B