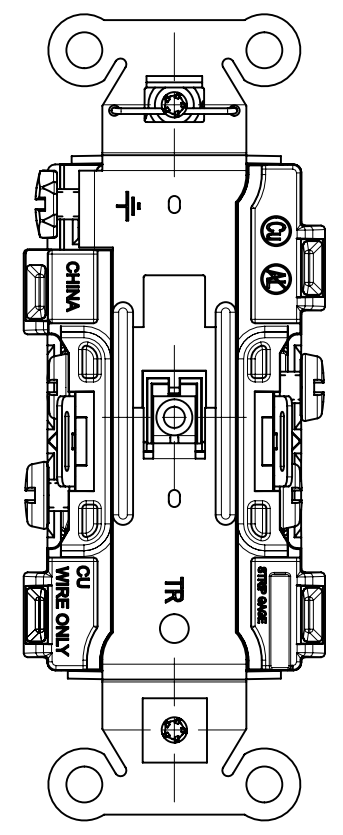
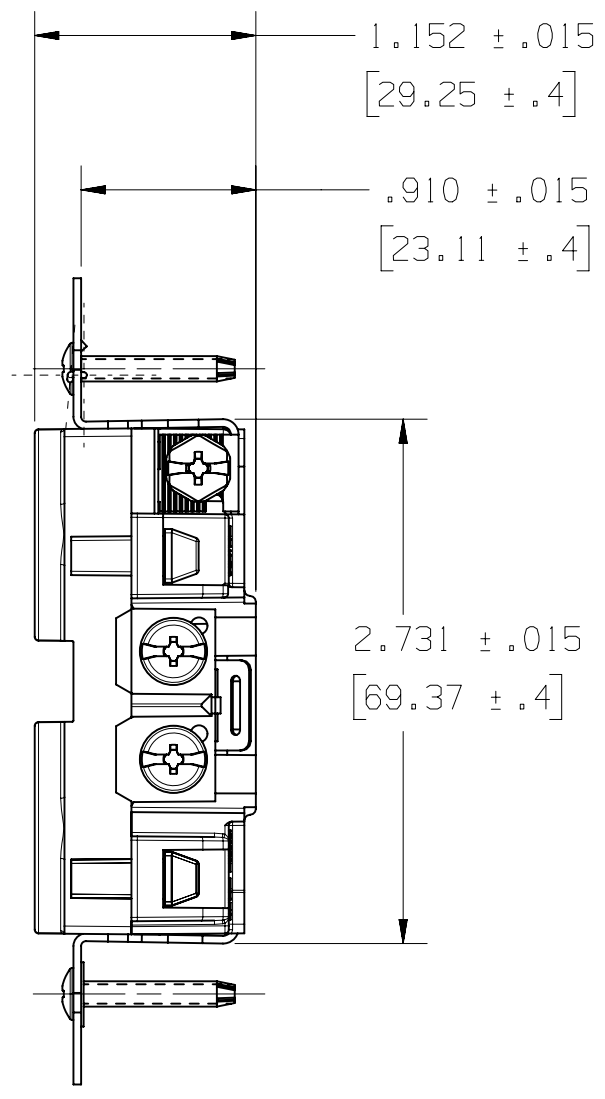
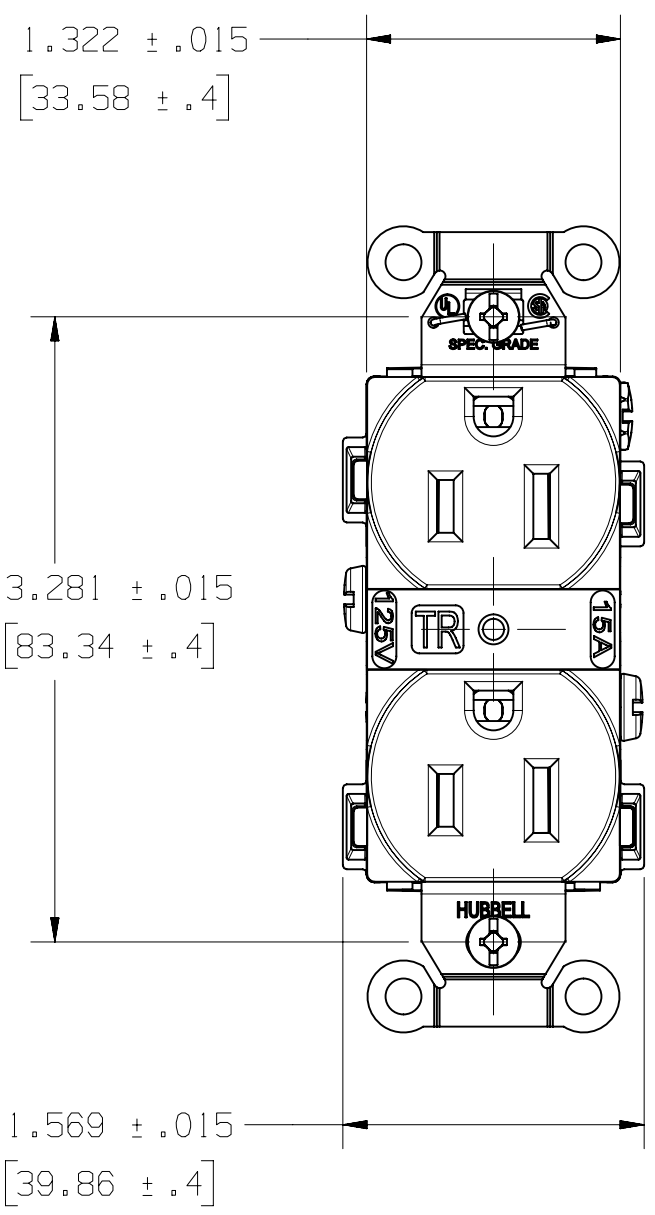


M-10512 4



LIST OF PARTS		
DESCRIPTION	MATERIAL	FINISH
TOP	PC	SEE TABLE
BASE	PC	BLACK
LINE CONTACTS	BRASS	
GROUND CONTACTS	BRASS	
CONTACT SCREW (NEU)	STEEL	NI PLT
CONTACT SCREW (HOT)	STEEL	
BRIDGE	.04 GALV STL	
GROUND SCREW	STEEL	GREEN
STAPLE	S.S.	
WASHER	PVC FILM	BLACK
MOUNTING SCREW	STEEL	ZINC PLT

SYM	REVISIONS	APP	DATE
4	CHG MATL TOP AND BASE TO PC, REMOVED ALMOND EC 200227110910 JPQ	WHD	02/26/2020
3	REVISED COMPONENTS PER DCN 20044 MAM	TLS	6/20/13
2	ADDED CAT NOS. CR15BLTR & CR15RTR TO TABLE. PER DCN 19208 DDL	DJP	11/16/12
1	RELEASED PER DCN# 14341 WRV		12/21/07

NOTES:
 1) DIMENSIONS ARE IN INCHES [MM].
 2) ALL DEVICES UL LISTED AND CSA CERTIFIED.
 3) TERMINALS ACCOMMODATE #14-#10 AWG COPPER WIRE ONLY.

CATALOG NUMBERS

	BROWN	IVORY	GRAY	WHITE	BLACK		BLUE	LIGHT ALMOND	RED	ORANGE	OFFICE WHITE
HUBBELL	CR15TR	CR15ITR	CR15GRYTR	CR15WHITR	CR15BLKTR		CR15BLTR	CR15LATR	CR15RTR	-----	-----

THE DESIGN AND DIMENSIONS OF THE PRODUCT SHOWN ON THIS DRAWING ARE SUBJECT TO CHANGE WITHOUT NOTICE

TITLE HUBBELL 15A 125V, 2P 3W, TAMPER RESISTANT SMOOTH FACE DUPLEX RECEPT. SIDE WIRE ONLY

TOLERANCES UNLESS OTHERWISE SPECIFIED .XX = ± .01 .XXX = ± .005 ANGLES = ± 2°	WIRING DEVICE-KELLEMS HUBBELL INCORPORATED SHELTON, CT	
	DR. BY WRV	APP. BY
	TR. BY	SCALE 1:1
	CHK. BY	DATE 3/07

DIMENSION SHEET FOR CAT. NO. REPAIRABLE NON-REPAIRABLE B M-10512 4