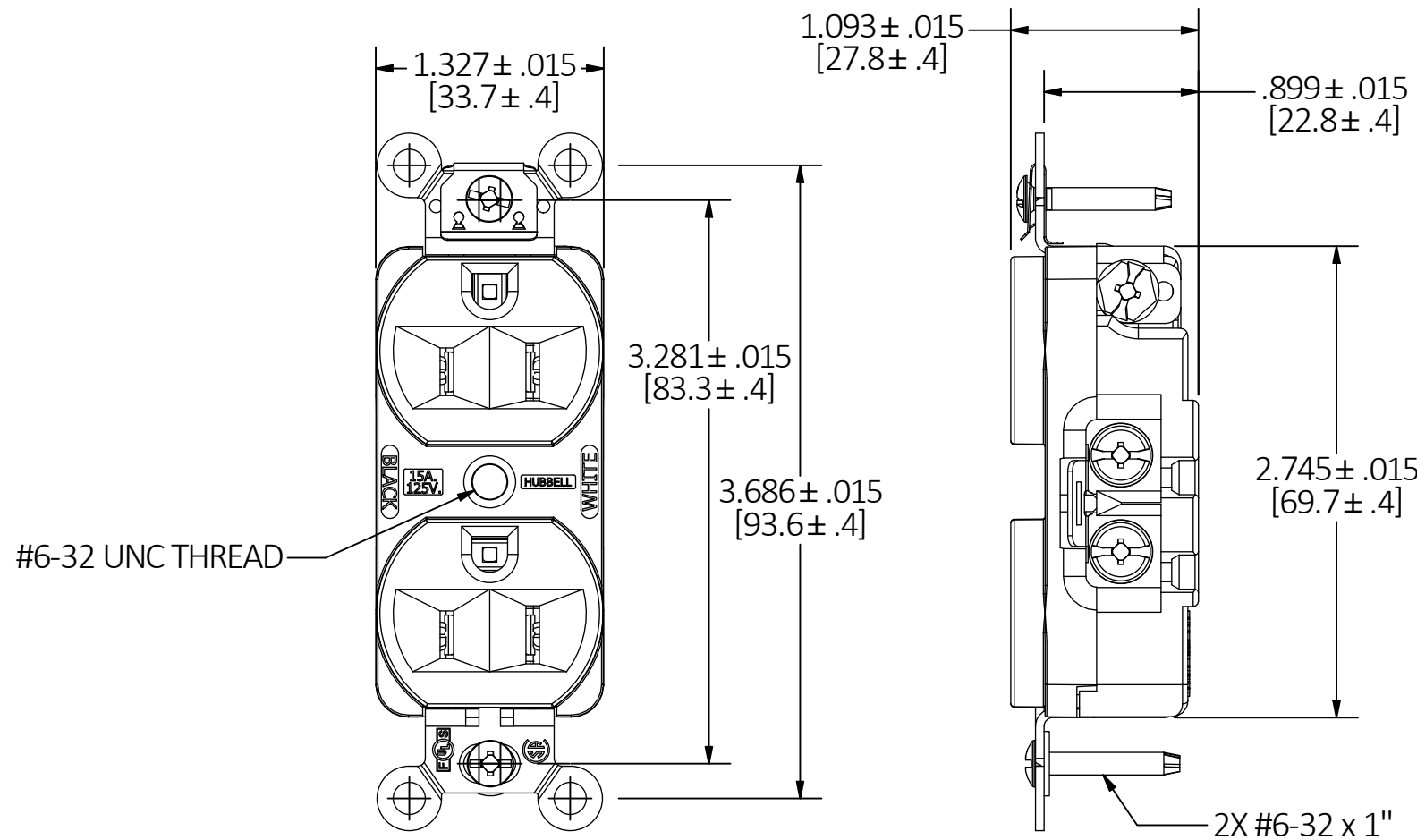
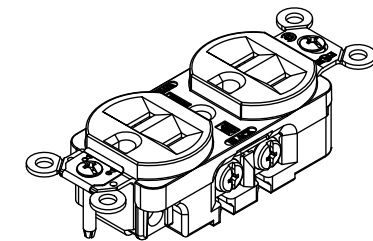
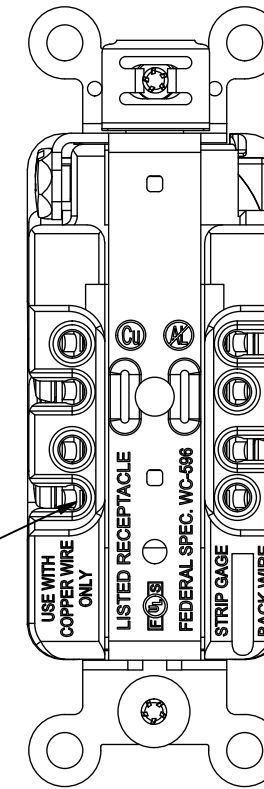


M-10822

5



SEE NOTE 1



NOTES:

1. AFTER RECEPTACLE ASSEMBLY, BACK OUT SCREWS UNTIL WIRE CLAMPS CLEAR THE WIRE HOLES IN THE POSITIONS SHOWN.
2. DIMENSIONS ARE IN INCHES (mm).
3. ALL DEVICES U.L. LISTED & C.S.A CERTIFIED.
4. TERMINALS ACCOMODATES #14-10AWG AWG COPPER WIRE ONLY.

LIST OF PARTS

DESCRIPTION	MATERIAL	FINISH
TOP	POLYCARBONATE	
BASE	POLYESTER	
CONT SP. BIND. PLATE	PHOSPHOR BRONZE	
GR. CONTACT SP.	.031 BRASS	
WIRE CLAMP	.062 STEEL	NICKEL PLATE
BRIDGE	GAV. STEEL	
GROUNDING SPRING	STAINLESS STEEL	
GROUNDING SCREWS	BRASS	
HEX HD. BIND. SCREW	BRASS	GREEN
MOUNTING SCREW	STEEL	ZINC PLATE
WASHER	FIBER	RED
CENTER RIVET	SILICON BRONZE	

5	CORRECTED BASE MATERIAL PER DCN 191125075014 RGP	WHD	11/19/19
REV	DESCRIPTION	APP	DATE

5262 & 5362 SERIES CATALOG NUMBERS									
BLACK	BROWN	GRAY	IVORY	LIGHT ALMOND	RED	WHITE	BLUE	CONFIGURATION	RATING
5262BLK	5262B	5262G	5262I	5262LA	5262R	5262W	5262BL		15A/125V
5362BLK	5362B	5362G	5362I	5362LA	5362R	5362W	5362BL		20A/125V

THE DESIGN AND DIMENSIONS OF THE PRODUCT SHOWN ON THIS DRAWING ARE SUBJECT TO CHANGE WITHOUT NOTICE. DIMENSIONS ARE IN INCHES [mm].

TITLE  
3 WIRE GROUNDING STRAIGHT BLADE DUPLEX RECEPTACLE SIDE & BACK WIRING

WIRING DEVICE-KELLEMS HUBBELL INCORPORATED SHELTON, CT

TOLERANCES UNLESS OTHERWISE SPECIFIED .XX = ± .01 .XXX = ± .005 ANGLE TOL. ±2'	DR. BY PFN	SCALE 1:1
	CHK. BY PFN	DATE 9/27/2019