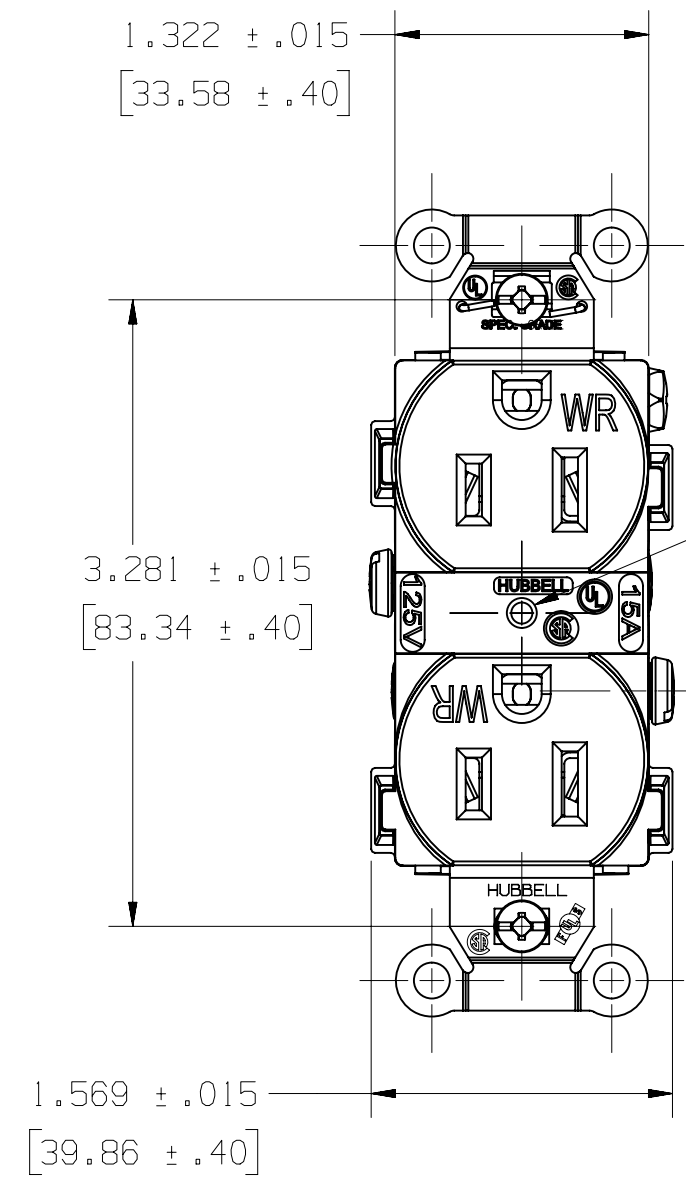
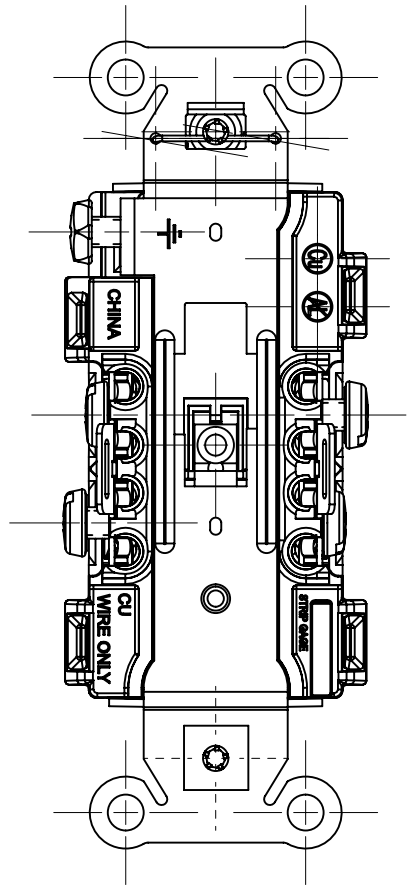
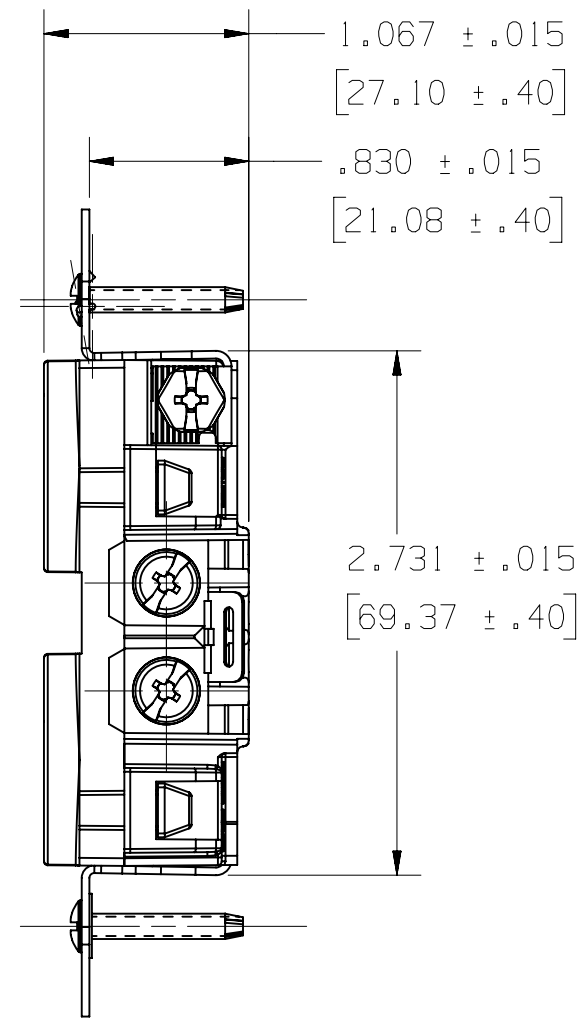


M-10847 2



#6-32 TAP



NOTES:
 1) DIMENSIONS ARE IN INCHES [MM].
 2) ALL DEVICES UL LISTED, AND CSA CERTIFIED.
 3) TERMINALS ACCOMMODATE #14-#10 AWG COPPER WIRE ONLY.

CATALOG NUMBERS

	BROWN	IVORY	GRAY	WHITE	BLACK		BLUE	LIGHT ALMOND	RED	ORANGE	OFFICE WHITE
HUBBELL	BR15WR	BR151WR	BR15GRYWR	BR15WH1WR	BR15BLKWR		BR15BLWR	BR15LAWR	BR15RWR	-----	-----

LIST OF PARTS

DESCRIPTION	MATERIAL	FINISH
TOP	NYLON 6/6	SPI A-3
BASE	NYLON 6/6	SPI A-3
LINE CONTACTS	BRASS	
GROUND CONTACTS	BRASS	
CONTACT SCREW (NEU)	S.S.	
CONTACT SCREW (HOT)	S.S.	
BRIDGE	.04 GALV STL	
GROUND SCREW	S.S.	GREEN
STAPLE	S.S.	
WASHER	PVC FILM	BLACK
MOUNTING SCREW	S.S.	

SYM	REVISIONS	APP	DATE
2	REVISED NOTE REMOVE FED SPEC, ADDED BR15BLWR & BR15RWR, REMOVED ALMOND EC 200227110910 JPO	WHD	02/25/2020
1	RELEASED PER DCN #14555 WRV		01/28/08

THE DESIGN AND DIMENSIONS OF THE PRODUCT SHOWN ON THIS DRAWING ARE SUBJECT TO CHANGE WITHOUT NOTICE

TITLE HUBBELL 15A 125V, 2P 3W, SMOOTH FACE WEATHER RESISTANT DUPLEX RECEPT. BACK & SIDE WIRE

TOLERANCES UNLESS OTHERWISE SPECIFIED .XX = ± .01 .XXX = ± .005 ANGLES = ± 2°	WIRING DEVICE-KELLEMS HUBBELL INCORPORATED SHELTON, CT	
	DR. BY WRV	APP. BY
	TR. BY	SCALE 1:1
	CHK. BY	DATE 1/08

DIMENSION SHEET FOR CAT. NO.

REPAIRABLE

NON-REPAIRABLE

B

M-10847

2