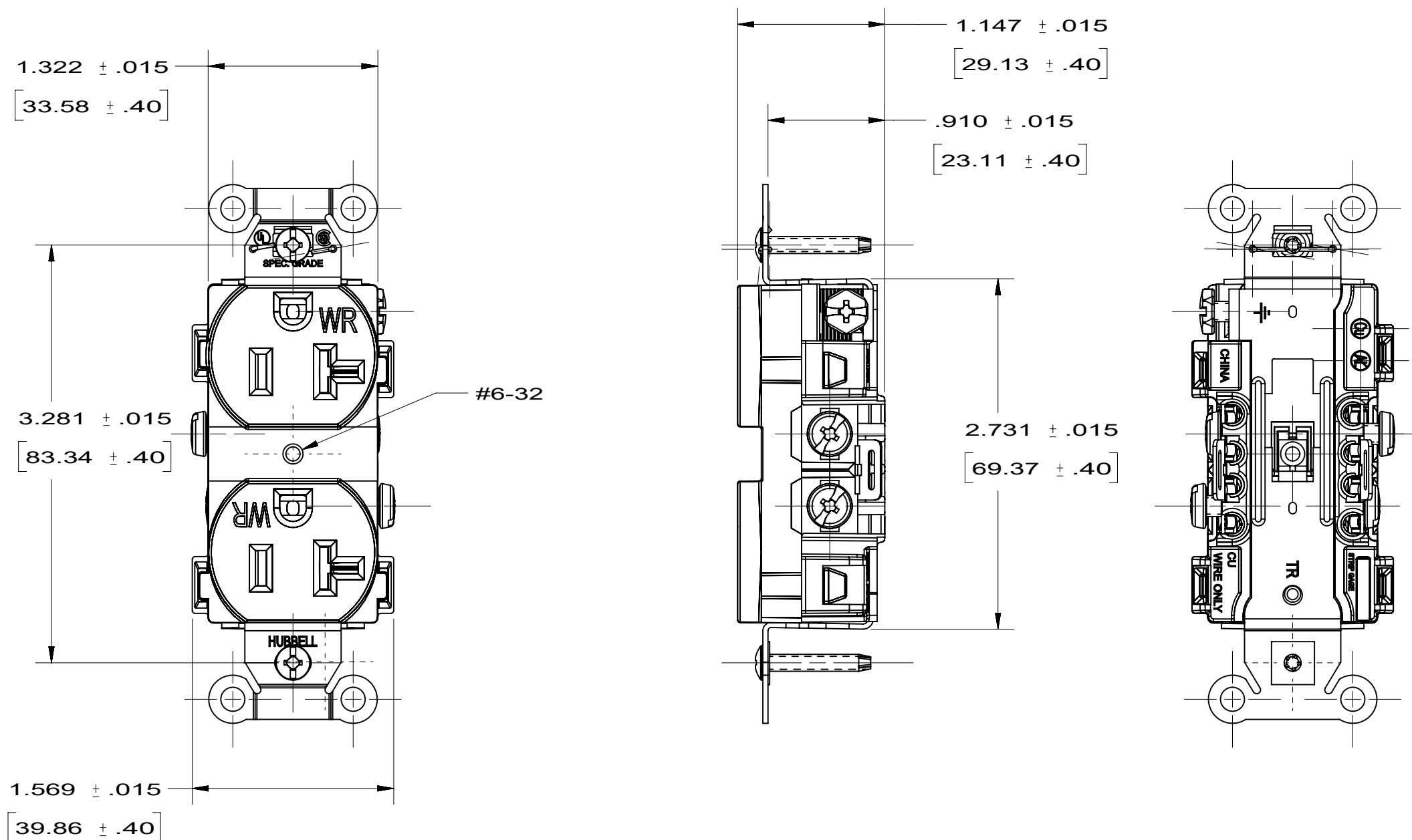


M-10854 2



NOTES:
 1) DIMENSIONS ARE IN INCHES [MM].
 2) ALL DEVICES UL LISTED, CSA CERTIFIED.
 3) TERMINALS ACCOMMODATE #14-#10 AWG COPPER WIRE ONLY.

CATALOG NUMBERS

	BROWN	IVORY	GRAY	WHITE	BLACK		BLUE	LIGHT ALMOND	RED	ORANGE	OFFICE WHITE
HUBBELL	BR20WRTR	BR20IWRTR	BR20GRYWRTR	BR20WHIWRTR	BR20BLKWRTR		BR20BLWRTR	BR20LAWRTR	BR20RWRTR	-----	-----

LIST OF PARTS		
DESCRIPTION	MATERIAL	FINISH
TOP	NYLON 6/6	SPI A-3
BASE	NYLON 6/6	SPI A-3
LINE CONTACTS	BRASS	
GROUND CONTACTS	BRASS	
CONTACT SCREW (NEU)	S.S.	
CONTACT SCREW (HOT)	S.S.	
BRIDGE	04 GALV STL	
GROUND SCREW	S.S.	GREEN
STAPLE	S.S.	
WASHER	PVC FILM	BLACK
MOUNTING SCREW	S.S.	

SYM	REVISIONS	APP	DATE
2	REMOVED ALMOND, ADDED BLUE & RED EC 200227110910 J PQ	WHD	03/10/20
1	RELEASED PER DCN #14555 WRV		01/28/08

REPAIRABLE NON-REPAIRABLE

THE DESIGN AND DIMENSIONS OF THE PRODUCT SHOWN ON THIS DRAWING ARE SUBJECT TO CHANGE WITHOUT NOTICE

TITLE HUBBELL
 20A 125V, 2P 3W,
 SMOOTH FACE WEATHER RESISTANT
 TAMPER RESISTANT
 DUPLEX RECEPT. BACK & SIDE WIRE

TOLERANCES UNLESS OTHERWISE SPECIFIED .XX = ± .01 .XXX = ± .005 ANGLES = ± 2°	WIRING DEVICE-KELLEMS HUBBELL INCORPORATED SHELTON, CT	
	DR. BY WRV	APP. BY
	TR. BY	SCALE 1:1
	CHK. BY	DATE 1/08

DIMENSION SHEET FOR CAT. NO. M-10854 2