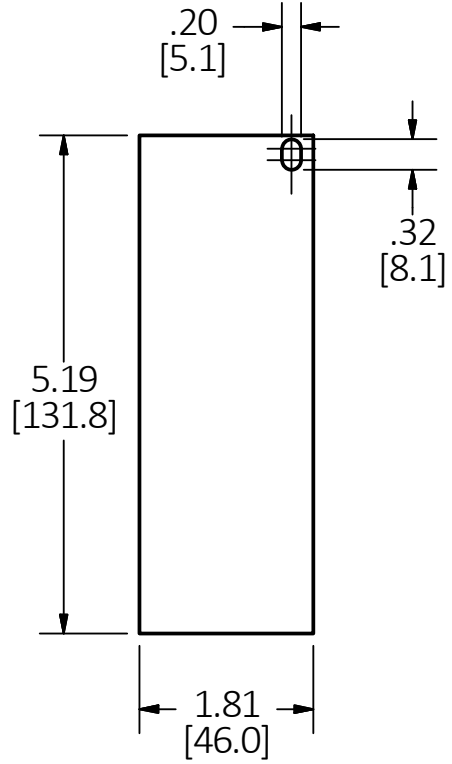
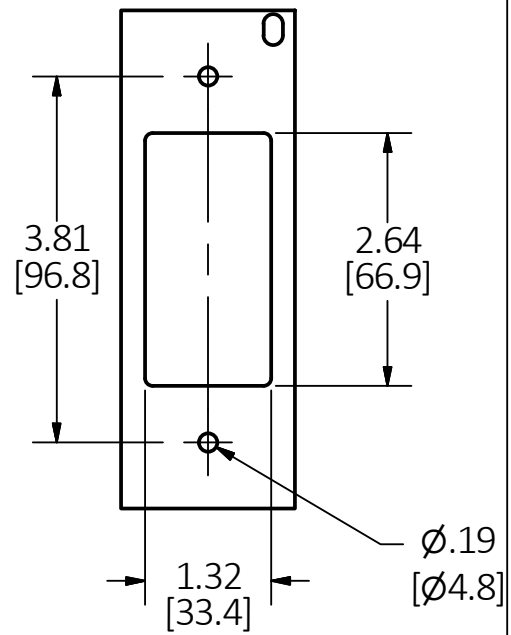


M-11843

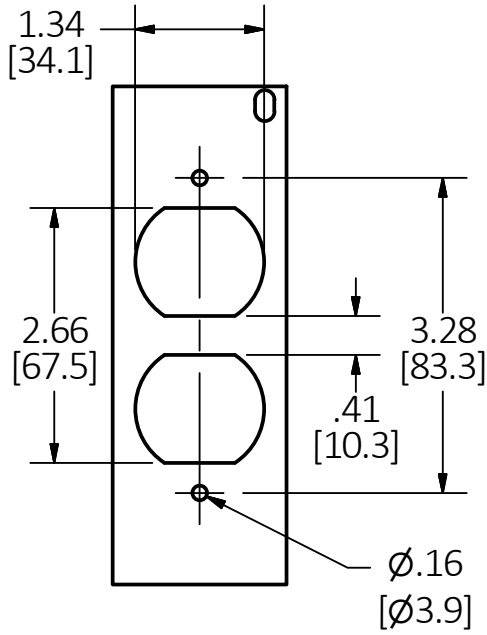
4



|             |              |
|-------------|--------------|
| CATALOG NO. | DESCRIPTION  |
| FB10MPBNK   | SINGLE BLANK |

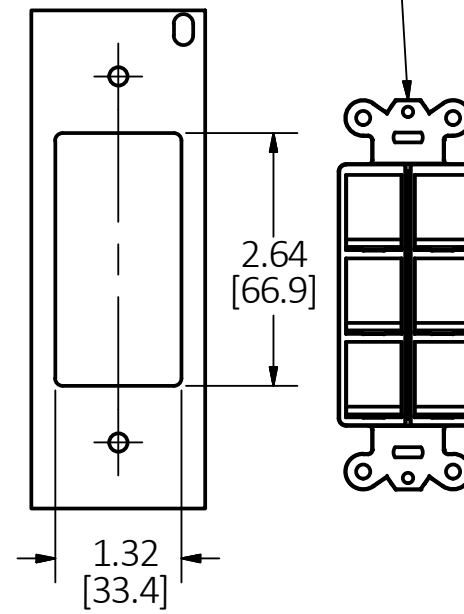


|             |             |
|-------------|-------------|
| CATALOG NO. | DESCRIPTION |
| FB10MPREC   | DECORATOR   |



|             |             |
|-------------|-------------|
| CATALOG NO. | DESCRIPTION |
| FB10MPDUP   | DUPLEX      |

HUBBELL 6-PORT  
THERMOPLASTIC FRAME  
COLOR: GRAY

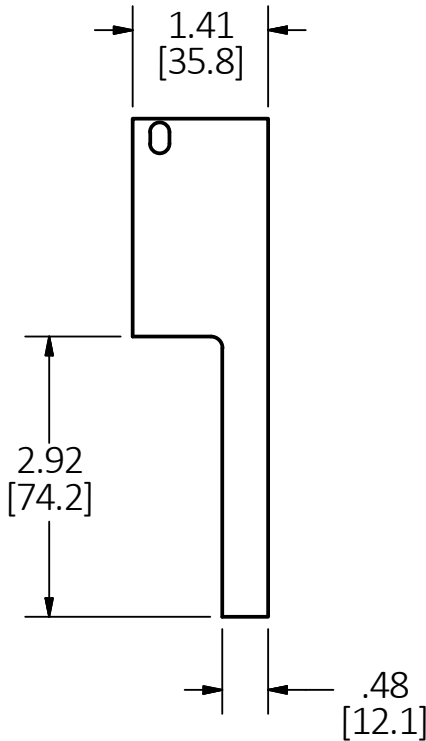


|             |              |
|-------------|--------------|
| CATALOG NO. | DESCRIPTION  |
| FB10MPKEY   | SIX KEYSTONE |

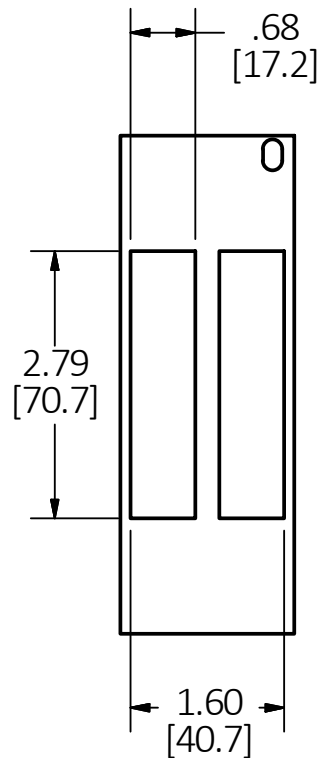
LIST OF PARTS

| DESCRIPTION | MATERIAL | FINISH         |
|-------------|----------|----------------|
| FACE PLATE  | CRS      | PRE-GALVANIZED |
|             |          |                |
|             |          |                |
|             |          |                |
|             |          |                |
|             |          |                |
|             |          |                |
|             |          |                |
|             |          |                |
|             |          |                |
|             |          |                |
|             |          |                |
|             |          |                |
|             |          |                |
|             |          |                |
|             |          |                |
|             |          |                |
|             |          |                |
|             |          |                |

NOTES:  
 1. ALL DIMENSIONS ARE IN INCHES AND [MILLIMETERS].  
 2. PRODUCT IS cULus LISTED.  
 3. MOUNTING HARDWARE INCLUDED.

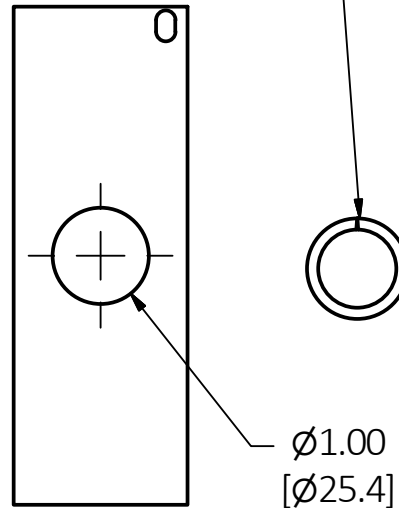


|             |                |
|-------------|----------------|
| CATALOG NO. | DESCRIPTION    |
| FB10MPX     | WIREWAY SPACER |



|             |             |
|-------------|-------------|
| CATALOG NO. | DESCRIPTION |
| FB10MPTRAC  | TRACKJACK   |

THERMOPLASTIC BUSHING  
COLOR: BLACK




|             |              |
|-------------|--------------|
| CATALOG NO. | DESCRIPTION  |
| FB10MPFT    | FEED THROUGH |

|     |                                 |     |        |
|-----|---------------------------------|-----|--------|
| 4   | REDRAWN & REVISED PER DCN 23447 | SBW | 2/5/18 |
| REV | DESCRIPTION                     | APP | DATE   |

THE DESIGN AND DIMENSIONS OF THE PRODUCT SHOWN ON THIS DRAWING ARE SUBJECT TO CHANGE WITHOUT NOTICE. DIMENSIONS ARE IN INCHES [mm].

TITLE  
 MOUNTING PLATE, RECESSED 10 GANG FLOOR BOX

 WIRING DEVICE-KELLEMS  
 HUBBELL INCORPORATED  
 SHELTON, CT

|   |                       |                          |
|---|-----------------------|--------------------------|
| TOLERANCES UNLESS OTHERWISE SPECIFIED<br>.XX = ± .01<br>.XXX = ± .005<br>ANGLE TOL. ±2° | DR. BY SBW<br>CHK. BY | SCALE 1/2<br>DATE 2/2/18 |
|---|-----------------------|--------------------------|

DIMENSION SHEET FOR CAT. NO.  
SEE TABLE

B

M-11843

4