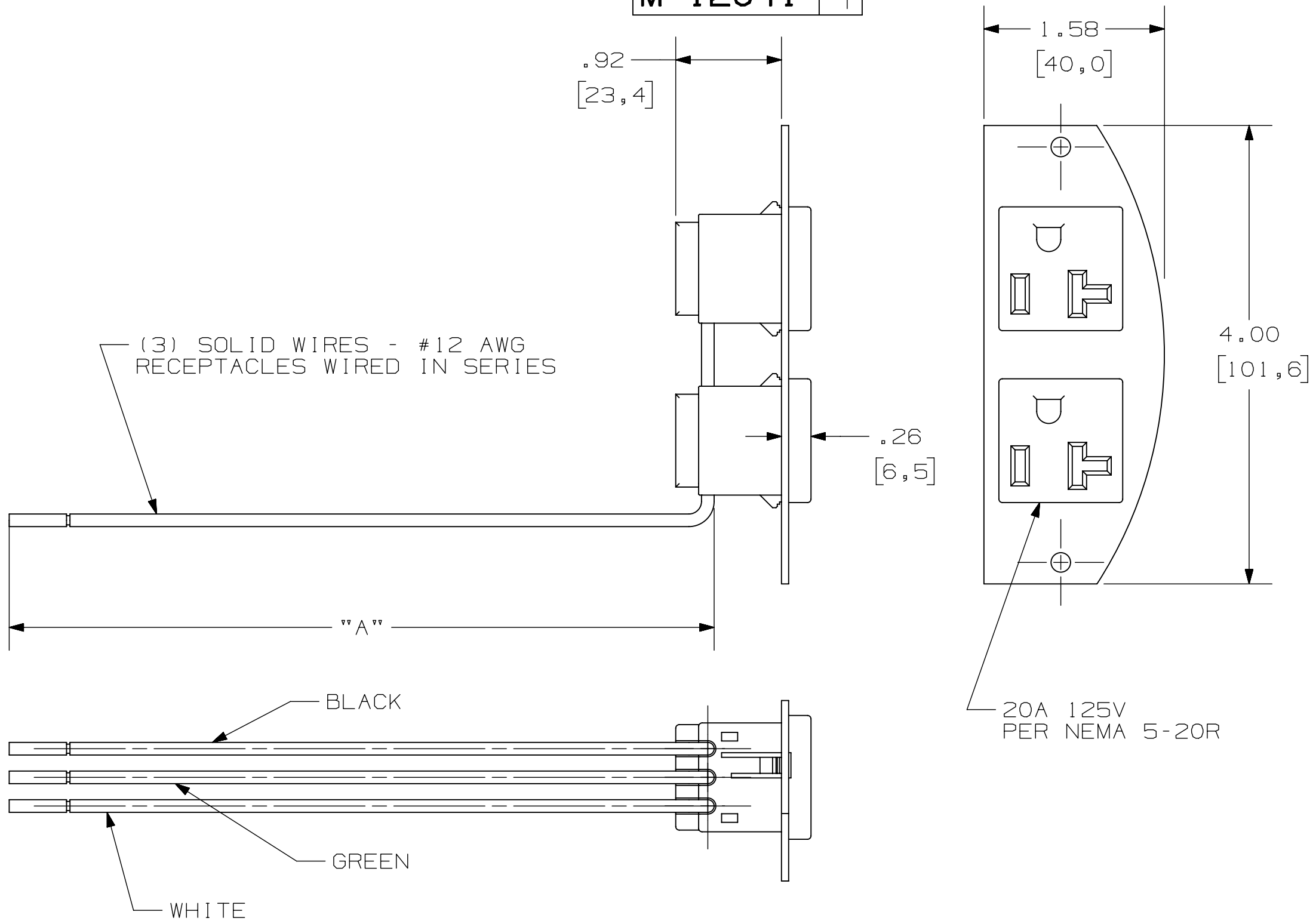


M-12041 4



(3) SOLID WIRES - #12 AWG RECEPTACLES WIRED IN SERIES

BLACK

GREEN

WHITE

20A 125V PER NEMA 5-20R

LIST OF PARTS		
DESCRIPTION	MATERIAL	FINISH
COVER PLATE	STEEL	WHITE
RECEPTACLE	----	BLACK
SOLID WIRE	COPPER	SEE DWG.
MOUNTING SCREWS	STEEL	WHITE

REPAIRABLE	NON-REPAIRABLE
<input type="checkbox"/>	<input checked="" type="checkbox"/>

4	IN TABLE: ADDED CAT. # S1R8PSPZTR W/ SPECS; ADDED NOTE 2 PER DCN 220825023421 RM	DJP	9/8/22
3	ADDED "RECEPT. MARKING COLUMN AND CAT #S1R8PSPZC TO TABLE. ADDED BASE CATALOG NUMBER SHOWN PER DCN21884. MYA	DJP	3/16/16
2	DIM "A" WAS 18.0 [457,2]. ADDED TABLE, IN DIM SHEET ADDED "SEE CHART" PER DCN 19304. MYA	DJP	1/29/13
1	RELEASED PER DCN18435		1/3/12
SYM	REVISIONS	APP	DATE

THE DESIGN AND DIMENSIONS OF THE PRODUCT SHOWN ON THIS DRAWING ARE SUBJECT TO CHANGE WITHOUT NOTICE

TITLE
PERIMETER POWER PLATE
8 INCH FRPT

TOLERANCES UNLESS OTHERWISE SPECIFIED	WIRING DEVICE-KELLEMS HUBBELL INCORPORATED SHELTON, CT	
.XX = ±.01	DR. BY SRE	APP. BY
.XXX = ±.005	TR. BY	SCALE 1:1
ANGLES = ±2°	CHK. BY	DATE 1/3/12

NOTES:

- 1) ALL DIMENSIONS ARE IN INCHES AND [MILLIMETERS].
- 2) S1R8PSPZTR PROVIDED WITH 'CONTROLLED' STICKERS.

CATALOG NO.	DIMENSION "A"	RECEPTACLE MARKING
S1R8PSPZ	18.0 IN [457,2]	
S1R8PSPZ25	25 FT, 762 CM	
S1R8PSPZC	18.0 IN [457,2]	CONTROLLED
S1R8PSPZTR	18.0 IN [457,2]	TAMPER RESISTANT

DIMENSION SHEET FOR CAT. NO. M-12041
 SEE CHART
 REPAIRABLE NON-REPAIRABLE
 B
 M-12041
 4