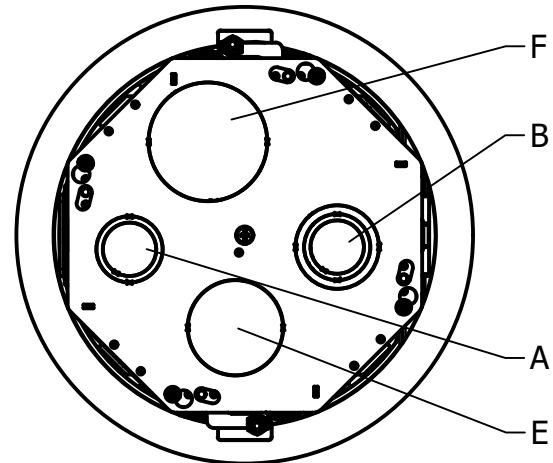
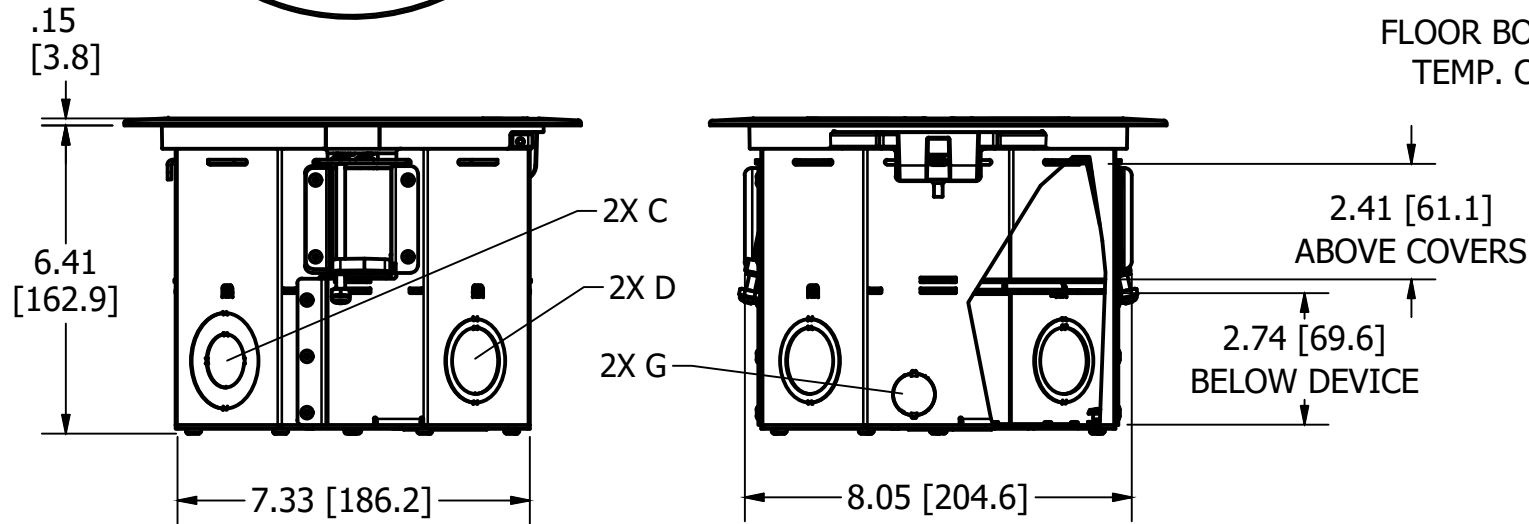
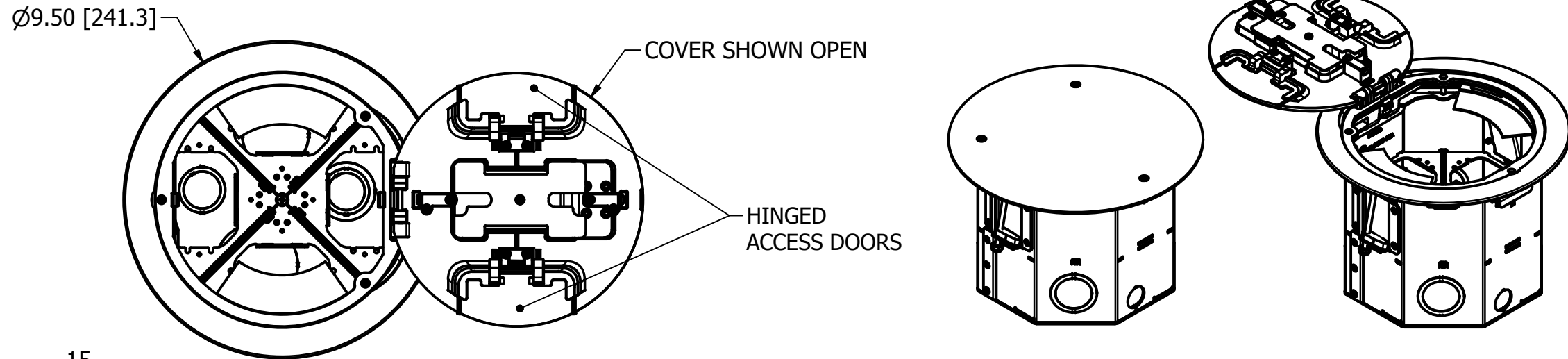


M-12132

4



NOTES:

1. ALL DIMENSIONS ARE IN INCHES AND [MILLIMETERS].
2. FLOOR TILE CUTOUT: $\varnothing 8.25$ [209.6] \pm .12 [3.0].
3. FLOOR TILE THICKNESS: 2.50 [63.5] MAXIMUM, .75 [19.1] MINIMUM.
4. WIRING VOLUMES BY CONFIGURATION:
 1 GANG & 3 GANG: 28.5 IN³ [467 CM³] & 85.5 IN³ [1401 CM³]
 2 GANG & 2 GANG: 57.0 IN³ [934 CM³] & 57.0 IN³ [934 CM³]
 4 GANG: 114.0 IN³ [1868 CM³]
5. USE RAFB4 SERIES COVER PLATES ONLY, SOLD SEPARATLY.
6. ALL CAT NOS ARE SUPPLIED WITH TEMPORARY INSTALLATION COVERS.

LABEL	KNOCKOUT TRADE SIZE	QUANTITY & LOCATION
A	3/4", 1" CONCENTRIC	1 - BOTTOM
B	3/4", 1", 1 1/4" CONCENTRIC	1 - BOTTOM
C	3/4", 1 1/2" CONCENTRIC	2 - SIDES
D	1", 1 1/4" CONCENTRIC	2 - SIDES
E	1 1/2"	1 - BOTTOM
F	2"	1 - BOTTOM
G	1/2"	2 - SIDES

CATALOG NO.	DESCRIPTION
RAFB4BLK	ROUND RAISED ACCESS FLOOR BOX WITH BLACK COVER
RAFB4NKL	ROUND RAISED ACCESS FLOOR BOX WITH NICKEL COVER
RAFB4BRZ	ROUND RAISED ACCESS FLOOR BOX WITH BRONZE COVER
RAFB4BRS	ROUND RAISED ACCESS FLOOR BOX WITH BRASS COVER
RAFB4ALU	ROUND RAISED ACCESS FLOOR BOX WITH ALUMINUM COVER
RAFB4BASE	ROUND RAISED ACCESS FLOOR BOX WITH TEMP. COVER ONLY
RAFB4GRY	ROUND RAISED ACCESS FLOOR BOX WITH GRAY COVER

LIST OF PARTS

DESCRIPTION	MATERIAL	FINISH
COVER	ALUMINUM	SEE TABLE
BOX ASSEMBLY	STEEL	ZINC
PARTITIONS	STEEL	ZINC
DEVICE FRAMES	STEEL	ZINC
POST	ALUMINUM	NONE
GROUND SCREWS	BRASS	GREEN
FASTENERS	STEEL	ZINC
TEMPORARY COVER	STEEL	ZINC

SYM	DESCRIPTION	APP	DATE
4	IN TABLE: ADDED CAT. NO. RAFB4GRY PER DCN 200506070246 RM	JCF	5/11/2020
3	REVISED PER DCN21058	SBW	2/23/15
2	UPDATED IMAGES PER DCN20245	AD	12/13/13
1	INITIAL RELEASE DCN18547	SBW	5/3/12

THE DESIGN AND DIMENSIONS OF THE PRODUCT SHOWN ON THIS DRAWING ARE SUBJECT TO CHANGE WITHOUT NOTICE

TITLE
 ROUND, 4 GANG, FLOOR BOX FOR RAISED FLOORS

TOLERANCES UNLESS OTHERWISE SPECIFIED		WIRING DEVICE-KELLEMS HUBBELL INCORPORATED SHELTON, CT.	
.XX = \pm .01	.XXX = \pm .005	DR. BY	APP. BY
ANGLES = \pm 2°		TR. BY	SCALE 1/4
		CHK'D BY	DATE 2/2/2012

DIMENSION SHEET FOR CAT. NO. M-12132
 REPAIRABLE NON-REPAIRABLE
 SEE TABLE
 B
 M-12132
 4