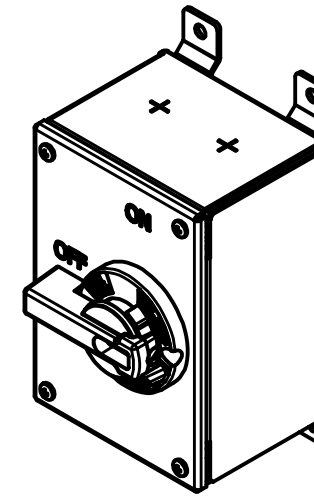


M-12330

2

DRILL SPOTS FOR 3/4" NPT CONDUIT FITTING, (6) PLACES. PROVISION FOR TOP, BOTTOM, & BACK FEED. INSTALLER TO DRILL OR PUNCH Ø1.11 INCH (Ø28.2 mm) HOLE FOR CONDUIT FITTING.



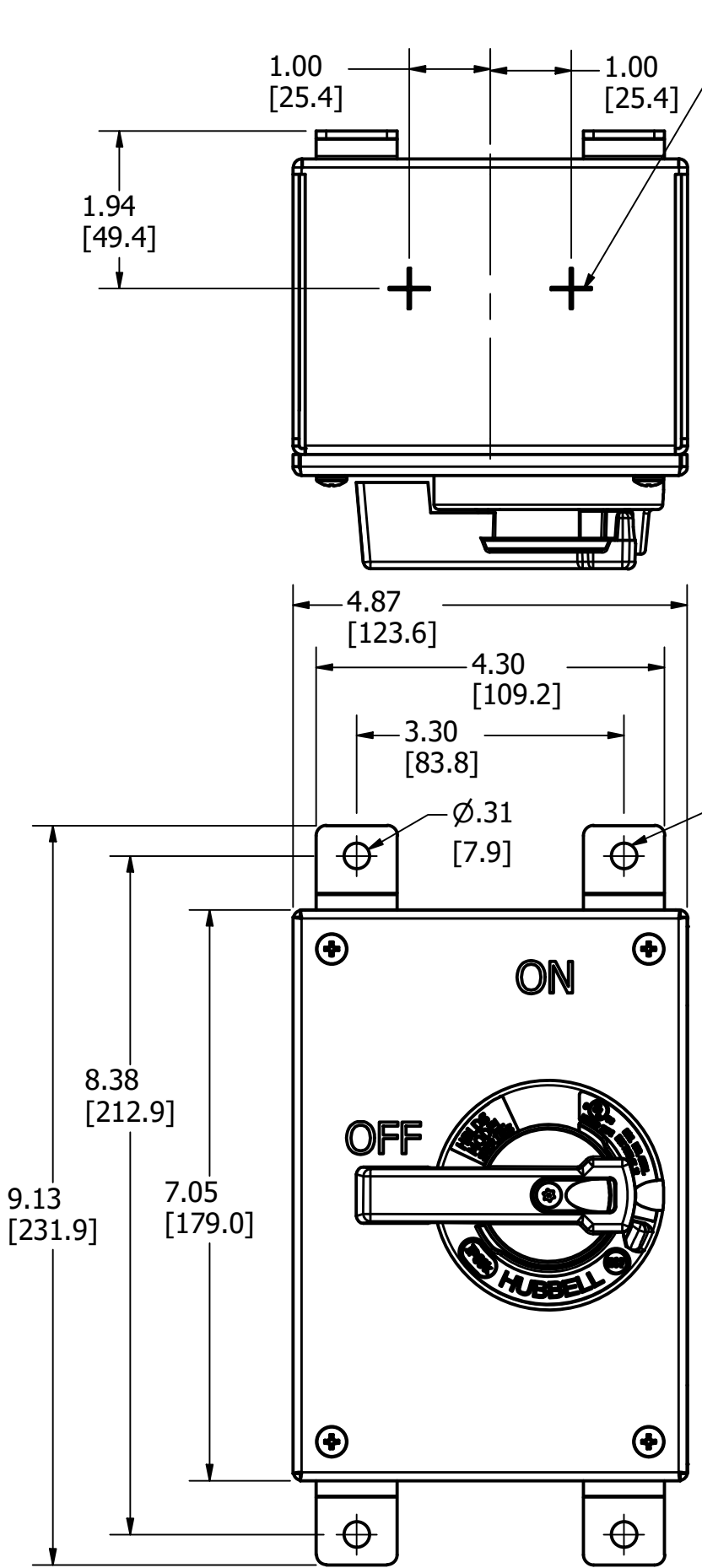
LIST OF PARTS

| DESCRIPTION          | MATERIAL        | FINISH |
|----------------------|-----------------|--------|
| ENCLOSURE & HARDWARE | STAINLESS STEEL |        |
| HANDLE & MOUNT       | PBT             |        |
| GASKET               | EPDM FOAM       |        |
|                      |                 |        |
|                      |                 |        |
|                      |                 |        |
|                      |                 |        |
|                      |                 |        |
|                      |                 |        |
|                      |                 |        |
|                      |                 |        |
|                      |                 |        |
|                      |                 |        |
|                      |                 |        |

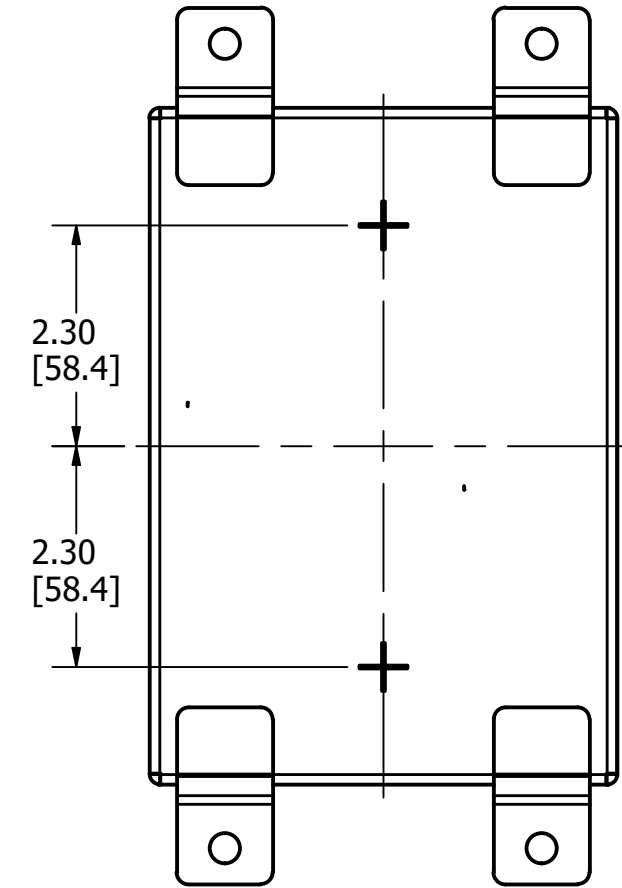
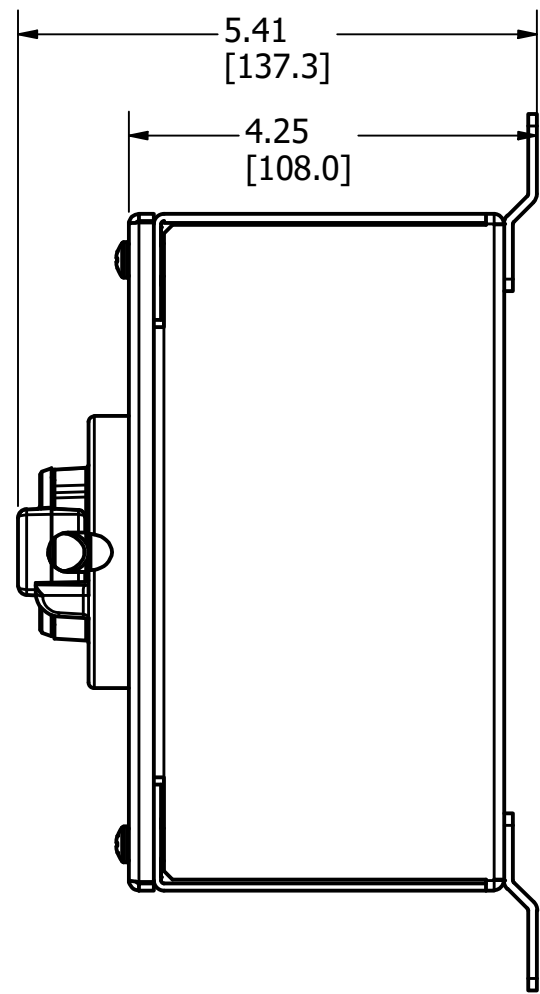
DIMENSION SHEET FOR CAT. NO. SEE NOTES REPAIRABLE  NON-REPAIRABLE  B M-12330 2

- NOTES:
- CATALOG NUMBERS: HBLDS3SS, HBLDS3SSAC, & HBLDS3VFD.
  - DIMENSIONS SHOWN ARE IN INCHES [mm].
  - ENCLOSURE TYPE 4X & 12.
  - CULUS LISTED.

| 30A 600V A.C. RATINGS |                |
|-----------------------|----------------|
| HP                    | VOLTAGE        |
| 1 HP                  | 120V AC 1Ø     |
| 3 HP                  | 200-240V AC 1Ø |
| 5 HP                  | 480V AC 1Ø     |
| 7.5 HP                | 200-240V AC 3Ø |
| 15 HP                 | 480V AC 3Ø     |
| 15 HP                 | 600V AC 3Ø     |



HOLES ACCEPT 1/4" DIA SCREWS MAX



| 2   | REMOVED VIEW OF CONDUIT HUB & HUB VIEW WITH DIMENSIONS & REMOVED FROM PARTS LIST PER DCN 220907023814 RM | JCF      | 9/29/22  |
|-----|----------------------------------------------------------------------------------------------------------|----------|----------|
| 1   | RELEASED PER DCN# 19082 MAM                                                                              | TLS      | 10/18/12 |
| SYM | DESCRIPTION                                                                                              | APPROVED | DATE     |

THE DESIGN AND DIMENSIONS OF THE PRODUCT SHOWN ON THIS DRAWING ARE SUBJECT TO CHANGE WITHOUT NOTICE

TITLE  
CIRCUIT-LOCK™ 30 AMP  
STAINLESS STEEL DISCONNECT SWITCH

| TOLERANCES UNLESS OTHERWISE SPECIFIED |       | WIRING DEVICE-KELLEMS HUBBELL INCORPORATED SHELTON, CT |            |
|---------------------------------------|-------|--------------------------------------------------------|------------|
| FRACTIONS                             | ±1/64 | DR. BY                                                 | MAM        |
| DECIMALS                              | ±.005 | APP. BY                                                | TLS        |
| ANGLES                                | ±2°   | TR. BY                                                 | MAM        |
|                                       |       | SCALE                                                  | NONE       |
|                                       |       | CHK'D BY                                               | MJZ        |
|                                       |       | DATE                                                   | 10/18/2012 |