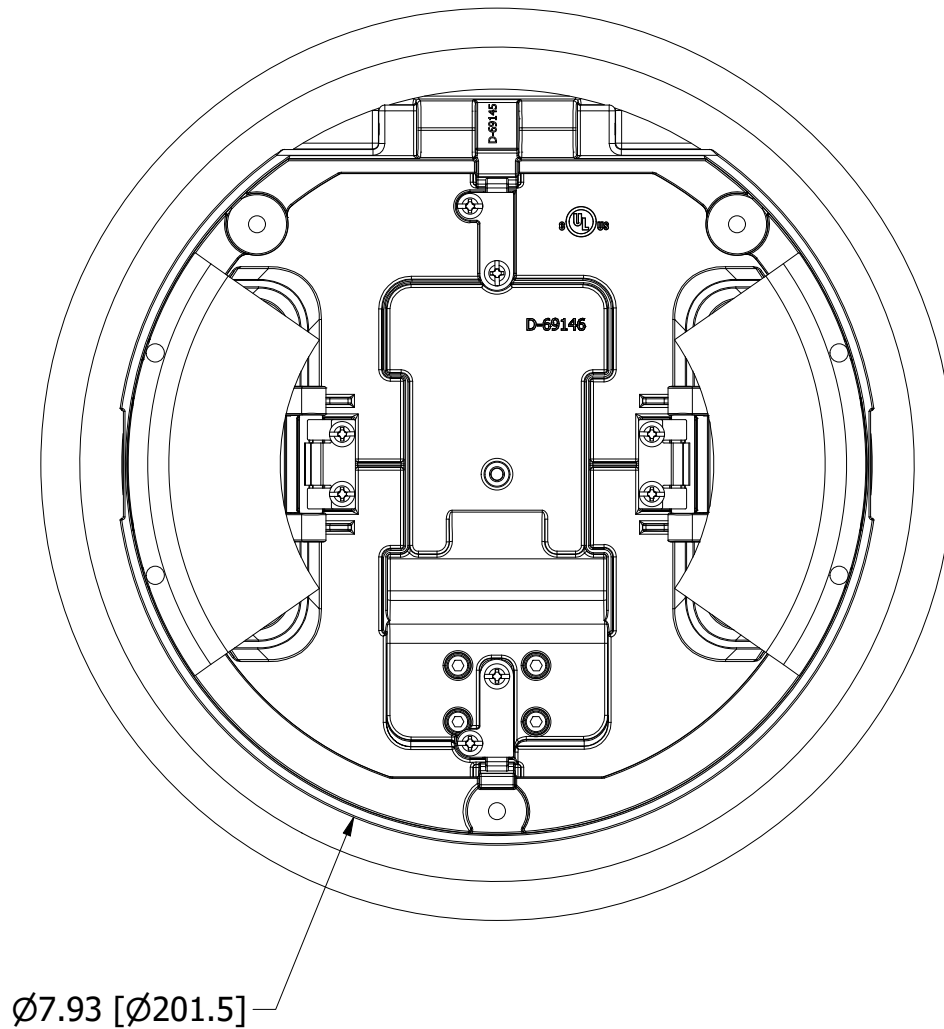
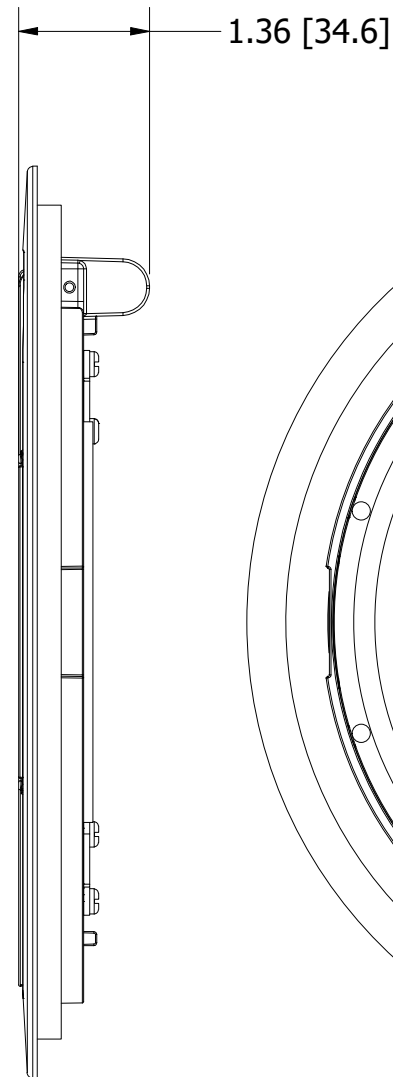
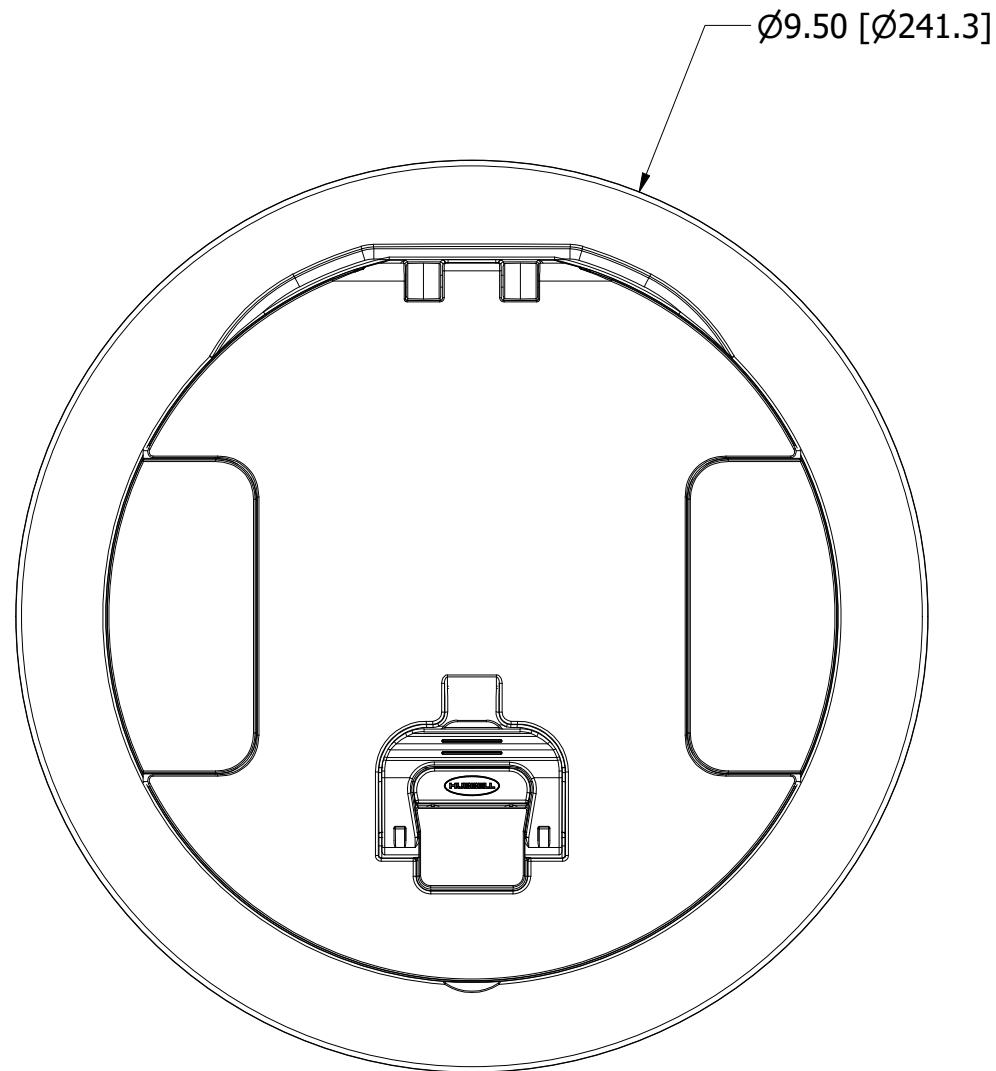


M-12576

3



CATALOG NO.	COVER FINISH
CFBS1R8CVRALU	BRUSHED ALUMINUM
CFBS1R8CVRBLK	BLACK POWDER COAT
CFBS1R8CVRBRS	BRASS PLATED
CFBS1R8CVRBRZ	BRONZE PLATED FINISH
CFBS1R8CVRNKL	SATIN NICKEL PLATED
CFBS1R8CVRGRY	GRAY POWDER COAT

NOTES:

1. ALL DIMENSIONS ARE IN INCHES AND [MILLIMETERS].
2. PRODUCT IS cULus LISTED. COMPLIES WITH UL 514A.
3. MOUNTING HARDWARE INCLUDED.

CODE 74545

LIST OF PARTS

DESCRIPTION	MATERIAL	FINISH
FLANGE RING	ALUMINUM	SEE TABLE
MAIN DOOR	ALUMINUM	SEE TABLE
ACCESS DOORS	ALUMINUM	SEE TABLE
HANDLE	ALUMINUM	SEE TABLE
HANDLE BEARING BLOCK	ALUMINUM	SEE TABLE
LINKS	ALUMINUM	SEE TABLE
SLIDERS	ALUMINUM	NO FINISH
DOOR GASKETS	FOAM RUBBER	BLACK
WEATHERSTRIP	ALUMINUM/NYLON	PLAIN/BLACK
HARDWARE	STEEL	ZINC

3	1.36 DIMENSION CHANGED FROM 1.30 PER DCN 220817023137	TS	8/17/2022
2	IN TABLE: ADDED CAT. NO. CFBS1R8CVRGRY PER DCN 200506070246 RM JCF	RM	5/6/2020
1	INITIAL RELEASE PER DCN20709	SBW	8/18/2014
SYM	DESCRIPTION	APP	DATE

THE DESIGN AND DIMENSIONS OF THE PRODUCT SHOWN ON THIS DRAWING ARE SUBJECT TO CHANGE WITHOUT NOTICE

TITLE  
SYSTEM ONE 8 INCH ROUND COVER FOR RECESSED FLOOR BOXES

TOLERANCES UNLESS OTHERWISE SPECIFIED		WIRING DEVICE-KELLEMS HUBBELL INCORPORATED SHELTON, CT.	
.XX = ± .01		DR. BY	SBW
.XXX = ± .005		TR. BY	SCALE 1/2
ANGLES = ± 2°		CHK'D BY	SM
		APP. BY	DATE 8/8/2014

DIMENSION SHEET FOR CAT. NO. SEE TABLE

REPAIRABLE  NON-REPAIRABLE

B

M-12576

3