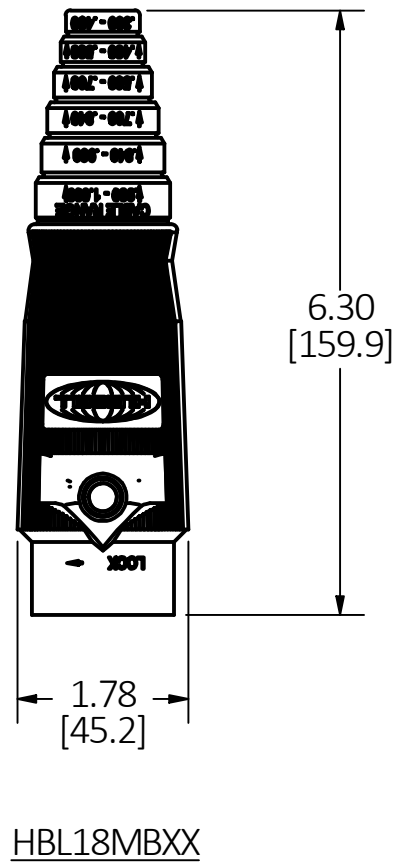
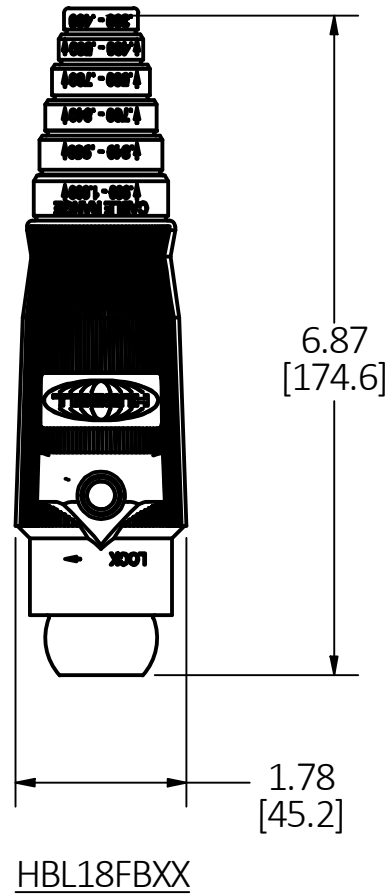


M-13593

2



LIST OF PARTS		
DESCRIPTION	MATERIAL	FINISH
FEMALE BODY	TPE	
MALE BODY	TPE	

DIMENSION SHEET FOR CAT. NO. SEE TABLE

**NOTES:**

- 1. DIMENSIONS ARE IN INCHES ±.02 [mm] ±.5
- 2. CABLE DIAMETER RANGE: ∅ .720in. [18.2mm] - ∅1.020in.[25.9mm] 400A  
CABLE DIAMETER RANGE: ∅ 0.460in. [11.7mm] - ∅ 0.885in.[22.5mm] 300A.
- 3. CABLE SIZE 3/0 AWG - 4/0, COPPER ONLY FOR 400A.  
CABLE SIZE #2 AWG - 2/0, COPPER ONLY FOR 300A.

REV	DESCRIPTION	APP	DATE
2	3/29/22 REVISED DWG VIEW TO NEW DESIGN EC220316018122 JPQ	WHD	03/29/22
1	4/6/15 NEW RELEASE PER DCN 23026 CAC		

THE DESIGN AND DIMENSIONS OF THE PRODUCT SHOWN ON THIS DRAWING ARE SUBJECT TO CHANGE WITHOUT NOTICE. DIMENSIONS ARE IN INCHES [mm].

HUBBELL CAT. NO. FEMALE	HUBBELL CAT. NO. MALE	COLOR
HBL18FBBK	HBL18MBBK	BLACK
HBL18FBW	HBL18MBW	WHITE
HBL18FBGN	HBL18MBGN	GREEN
HBL18FBR	HBL18MBR	RED
HBL18FBBL	HBL18MBBL	BLUE
HBL18FBO	HBL18MBO	ORANGE
HBL18FBBN	HBL18MBBN	BROWN
HBL18FBY	HBL19MBY	YELLOW

TITLE  
SINGLE POLE SERIES 18 FEMALE/MALE BODIES



WIRING DEVICE-KELLEMS  
HUBBELL INCORPORATED  
SHELTON, CT

TOLERANCES UNLESS OTHERWISE SPECIFIED .XX = ± .01 .XXX = ± .005 ANGLE TOL. ±2'	DR. BY CAC	SCALE 1/2
	CHK. BY	DATE 03/29/2017