

M-13894

1

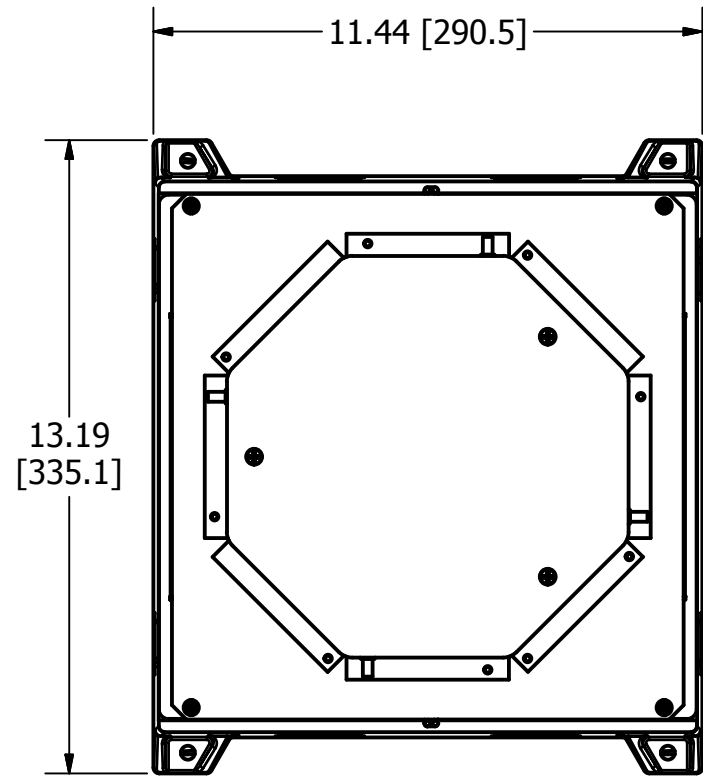
THREADED ACCESS HOLES

| LOCATION | QUANTITY | SIZE |
|----------|----------|------------|
| ENDS | 2/END | 1-1/2" NPT |
| SIDES | 2/SIDE | 3/4" NPT |

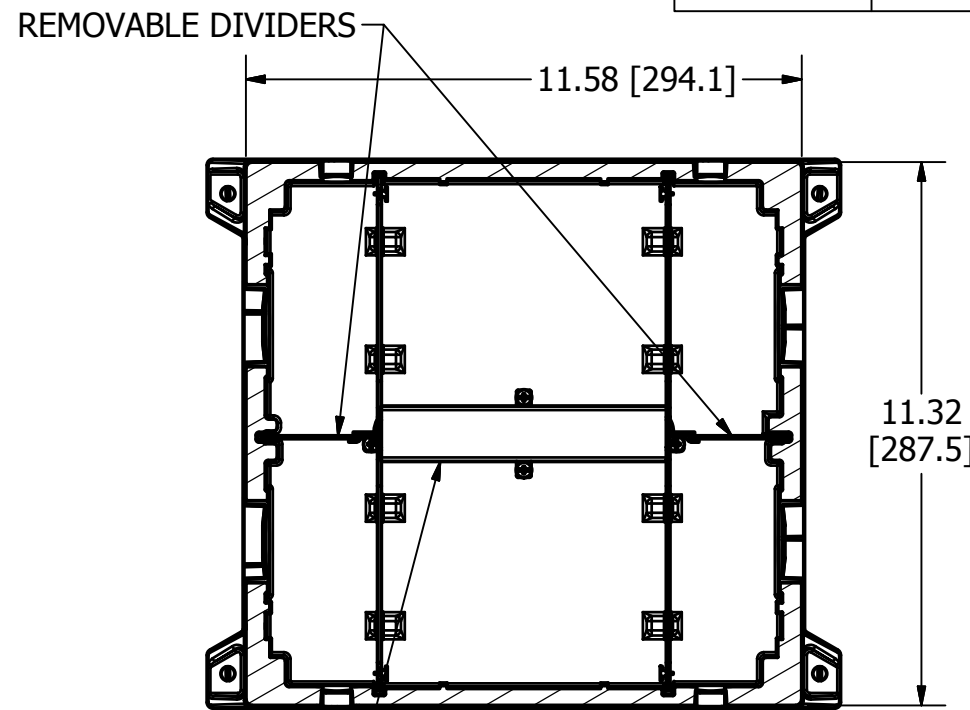
LIST OF PARTS

| DESCRIPTION | MATERIAL | FINISH |
|--------------------|-----------------|-------------|
| BOX BASE | CAST IRON | POWDER COAT |
| DIVIDERS | THERMOPLASTIC | |
| TOP MOUNTING ASSY | 14 GA. STEEL | ZINC |
| GROUND WIRES | COPPER | |
| CLOSURE PLUGS | STAINLESS STEEL | |
| WIRING CHANNEL | 16 GA. STEEL | ZINC |
| REMOVABLE DIVIDERS | THERMOPLASTIC | |
| FASTENERS | STEEL | ZINC |
| TEMP COVER | 14 GA. STEEL | ZINC |

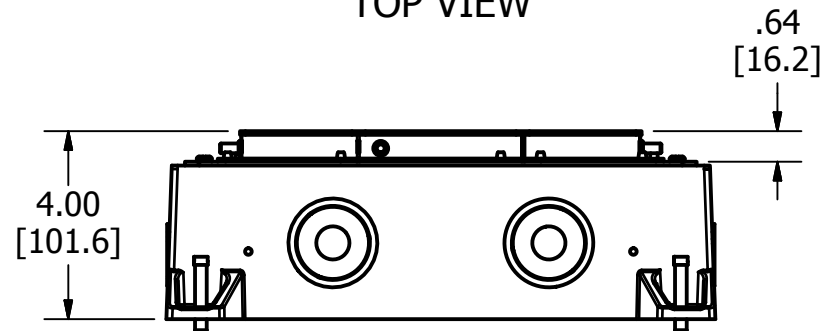
DIMENSION SHEET FOR CAT. NO. CFB4G30RC1



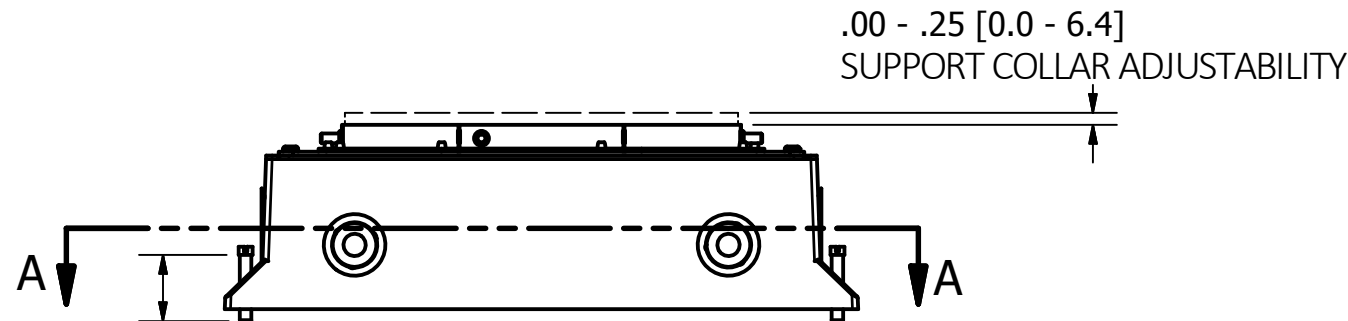
TOP VIEW



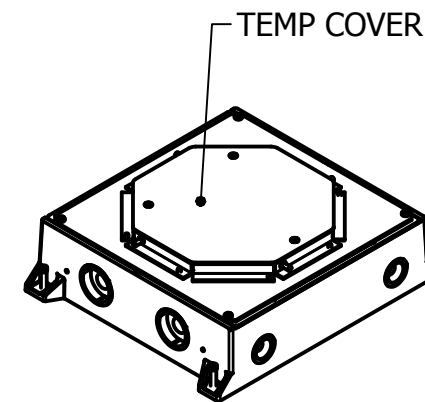
SECTION A-A
VIEW THROUGH BOX BELOW TRANSITION



END VIEW



4X 1.38 [35.1]
LEVELING SCREW
SIDE VIEW



ISOMETRIC

NOTES:

1. ALL DIMENSIONS ARE IN INCHES AND [MILLIMETERS].
2. PRODUCT IS cULus LISTED. COMPLIES WITH UL 514A.
3. EACH GANG SUPPLIED WITH 6" [152.4] 12 GA. AWG GROUND PIGTAIL.
4. MINIMUM CONCRETE POUR: 4.00" [101.6].
5. WIRING CHAMBER VOLUMES (RECESSED COVER) : (4) 30.0 IN³ [491.7 CM³].
6. WIRING CHANNEL AREA: (2) .40 IN² [261 MM²].

CAGE CODE 74545

| | | | |
|-----|------------------------|-----|---------|
| 1 | RELEASED PER DCN 23642 | SBW | 3/19/18 |
| REV | DESCRIPTION | APP | DATE |

THE DESIGN AND DIMENSIONS OF THE PRODUCT SHOWN ON THIS DRAWING ARE SUBJECT TO CHANGE WITHOUT NOTICE. DIMENSIONS ARE IN INCHES [mm].

TITLE
CONCRETE FLOOR BOX, 4 GANG FOR 8" ROUND COVER, CAST



WIRING DEVICE-KELLEMS
HUBBELL INCORPORATED
SHELTON, CT

| | | |
|---|------------|---------------|
| TOLERANCES UNLESS OTHERWISE SPECIFIED .XX = ±.01 .XXX = ±.005 ANGLE TOL. ±2' | DR. BY SBW | SCALE 1/4 |
| | CHK. BY | DATE 3/5/2018 |

B

M-13894

1