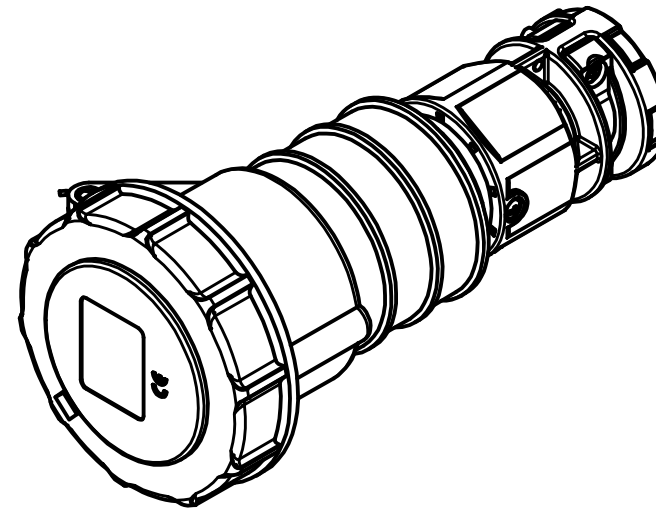
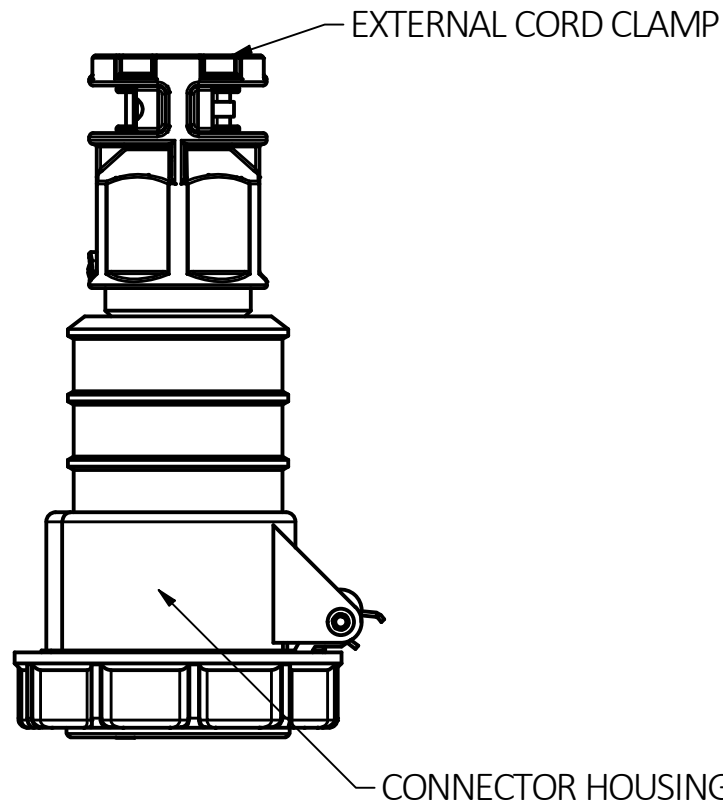
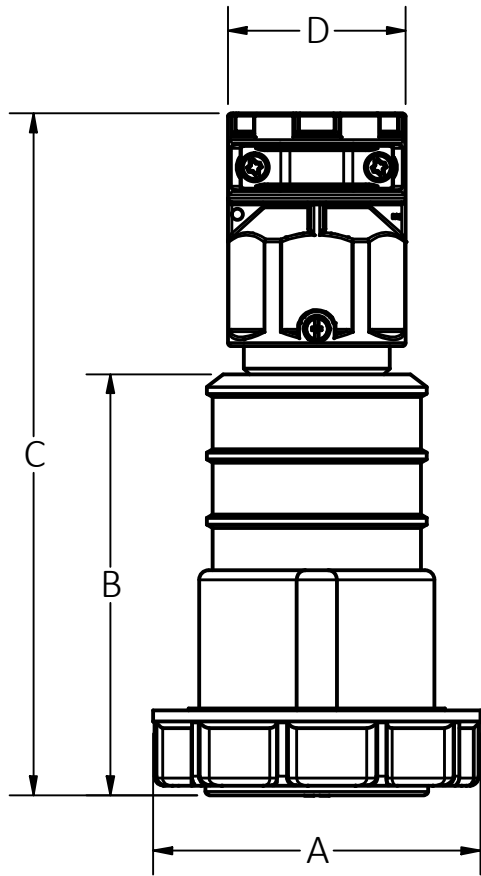
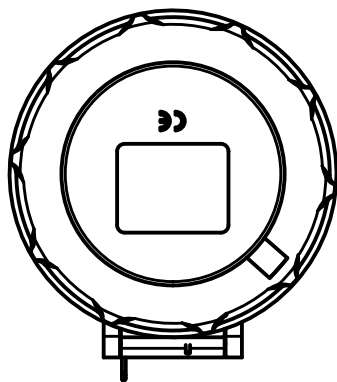


M-14032

3



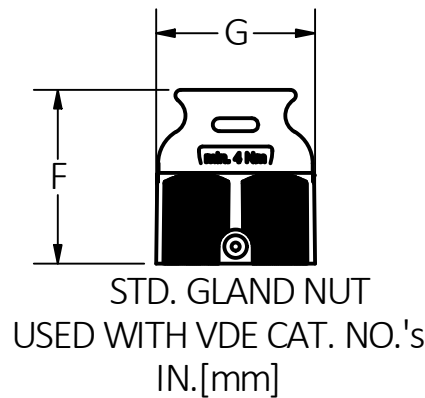
16A/20A 4W WATERTIGHT CONNECTOR SHOWN



NOTES:

1. UL LISTED STANDARD 1682, CSA CERTIFIED C22.2 NO. 182.1 - 1988 AND COMPLY TO VDE AND CE REQUIREMENTS. COMPLIES WITH IEC 60309-1 AND IEC 60309-2 STANDARDS. ENVIRONMENTAL RATING: SEE TABLES ON SHEET 2 & 3
2. DIMENSIONS ARE DISPLAYED ON SHEET 2 FOR cULus LISTED AND VDE RATED CAT NO.'S AND ON SHEET 3 FOR DUAL RATED CAT NO.'S.
3. FOR CABLE RANGES SEE TABLE.

CABLE RANGES			
UL		VDE	
AMPERE	MIN/MAX OD	AMPERE	MIN/MAX OD
20	.370/.710	16	.360/.827
30	.565/1.150	32	.565/1.161
60	.970/1.450	63	.970/1.450
100	1.050/1.880	125	1.220/1.890



STD. GLAND NUT USED WITH VDE CAT. NO.'S IN.[mm]

STANDARD GLAND NUT DIMS.		
AMPERE	"F"	"G"
20A 3P, 4P	1.59[41]	1.71[44]
20A 5P	1.81[46]	1.90[48]
30A	2.05[52]	2.28[58]
60A	2.44[62.0]	2.68[68]
100A	3.04[77.3]	3.25[83]

NOTE: STD. GLAND NUTS COMPLY TO VDE REQUIREMENTS PER IEC60309-1 AND IEC 60309-2 STANDARDS.

LIST OF PARTS

DESCRIPTION	MATERIAL	FINISH
CONN. HOUSING	PBT	
LOCKNUT	NYLON	
CONTACT PINS	BRASS	
LOCKING RING	PBT/PC	
CONTACT CARRIER	NYLON GF	
GROMMET	TPE	
ASSEMBLY SCREWS	ST. STEEL	
PIN		
TORSION SPRING		
EXTERNAL CORD CLAMP	PBT/PC	
GASKET		
GLAND NUT	PBT/PC	

3	12/9/19 ADDED GLAND NUT TO PARTS LIST; CREATED TABLE FOR CABLE RANGES; REMOVED CABLE RANGES FROM NOTE 3 AND REFERENCED CABLE RANGE TABLE; CHANGED LEADER TEXT TO "EXTERNAL CORD CLAMP". PER EC 200110070227 MJV		12/9/19
2	06/25/19 REVISED . CHANGED SHT 2 COLUMN C FOR VDE ONLY.PER DCN 190625105816 CAC		06/25/19

REV	DESCRIPTION	APP	DATE
-----	-------------	-----	------

THE DESIGN AND DIMENSIONS OF THE PRODUCT SHOWN ON THIS DRAWING ARE SUBJECT TO CHANGE WITHOUT NOTICE. DIMENSIONS ARE IN INCHES [mm].

TITLE
WATERTIGHT CONNECTOR 16A, 20A, 30A, 32A 60A, 63A, 100A, 125A



WIRING DEVICE-KELLEMS
HUBBELL INCORPORATED
SHELTON, CT

TOLERANCES UNLESS OTHERWISE SPECIFIED .XX = ± .01 .XXX = ± .005 ANGLE TOL. ±2'	DR. BY AD	SCALE 1/2
	CHK. BY CAC	DATE 12/4/18

DIMENSION SHEET FOR CAT. NO. SEE TABLES ON SHEETS 2 & 3

B

M-14032

3

M-14032

3

UL LISTED AND VDE RATED CAT NO.S

CAT NO.	AMP	VOLTAGE	POLES & WIRES	IP RATING	UL LISTED	VDE LISTED	A		B		C		D	
							in.	mm	in.	mm	in.	mm	in.	mm
C320C4WA	20A	125VAC	2P 3W	IP67	YES	NO	2.78	70	4.29	109	6.77	172	1.73	44
C320C7WA	20A	480VAC	2P 3W	IP67	YES	NO	2.78	70	4.29	109	6.77	172	1.73	44
C420C5WA	20A	3Ø 600VAC	3P 4W	IP67	YES	NO	3.09	78	4.29	109	6.89	175	1.73	44
C420C7WA	20A	3Ø 480VAC	3P 4W	IP67	YES	NO	3.09	78	4.29	109	6.89	175	1.73	44
C420C12WA	20A	125/250VAC	3P 4W	IP67	YES	NO	3.09	78	4.29	109	6.89	175	1.73	44
C520C5WA	20A	3ØY 347/600V	4P 5W	IP67	YES	NO	3.41	86	4.41	112	7.20	183	1.85	47
C520C7WA	20A	3ØY 277/480V	4P 5W	IP67	YES	NO	3.41	86	4.41	112	7.20	183	1.85	47
C330C4WA	30A	125VAC	2P 3W	IP67	YES	NO	3.70	94	5.35	136	8.78	223	2.32	59
C330C7WA	30A	480VAC	2P 3W	IP67	YES	NO	3.70	94	5.35	136	8.78	223	2.32	59
C430C5WA	30A	3Ø 600VAC	3P 4W	IP67	YES	NO	3.70	94	5.35	136	8.78	223	2.32	59
C430C7WA	30A	3Ø 480VAC	3P 4W	IP67	YES	NO	3.70	94	5.35	136	8.78	223	2.32	59
C430C12WA	30A	125/250VAC	3P 4W	IP67	YES	NO	3.70	94	5.35	136	8.78	223	2.32	59
C530C5WA	30A	3ØY 347/600V	4P 5W	IP67	YES	NO	4.00	101	5.35	136	8.98	228	2.32	59
C530C7WA	30A	3ØY 277/480V	4P 5W	IP67	YES	NO	4.00	101	5.35	136	8.98	228	2.32	59
C360C4WA	60A	125VAC	2P 3W	IP67	YES	NO	4.37	111	6.85	174	11.06	285	2.83	72
C360C7WA	60A	480VAC	2P 3W	IP67	YES	NO	4.37	111	6.85	174	11.06	285	2.83	72
C460C5WA	60A	3Ø 600VAC	3P 4W	IP67	YES	NO	4.37	111	6.85	174	11.06	285	2.83	72
C460C7WA	60A	3Ø 480VAC	3P 4W	IP67	YES	NO	4.37	111	6.85	174	11.06	285	2.83	72
C460C12WA	60A	125/250VAC	3P 4W	IP67	YES	NO	4.37	111	6.85	174	11.06	285	2.83	72
C560C5WA	60A	3ØY 347/600V	4P 5W	IP67	YES	NO	4.37	111	7.01	178	11.22	285	2.83	72
C560C7WA	60A	3ØY 277/480V	4P 5W	IP67	YES	NO	4.37	111	7.01	178	11.22	285	2.83	72
C3100C7WA	100A	480VAC	2P 3W	IP67	YES	NO	4.92	125	7.44	189	12.83	326	3.58	91
C4100C5WA	100A	3Ø 600VAC	3P 4W	IP67	YES	NO	4.92	125	7.44	189	12.83	326	3.58	91
C4100C7WA	100A	3Ø 480VAC	3P 4W	IP67	YES	NO	4.92	125	7.44	189	12.83	326	3.58	91
C4100C12WA	100A	125/250VAC	3P 4W	IP67	YES	NO	4.92	125	7.44	189	12.83	326	3.58	91
C5100C5WA	100A	3ØY 347/600V	4P 5W	IP67	YES	NO	4.92	125	7.60	193	13.03	331	3.58	91
C5100C7WA	100A	3ØY 277/480V	4P 5W	IP67	YES	NO	4.92	125	7.60	193	13.03	331	3.58	91
C316C4WA	16A	100-130V	2P 3W	IP67	NO	YES	2.78	70	4.29	109	5.88	149	1.73	44
C332C4WA	32A	100-130V	2P 3W	IP67	NO	YES	3.09	78	5.35	136	7.44	187	2.32	59
C432C3WA	32A	380V 50Hz 440V 60Hz	3P 4W	IP67	NO	YES	3.41	86	5.35	136	7.44	187	2.32	59
C316C6WA	16A	220-240V~	2P 3W	IP67	NO	YES	3.70	94	4.29	109	5.88	149	1.73	44
C416C6WA	16A	380-415V~	3P 4W	IP67	NO	YES	3.70	94	4.29	109	5.88	149	1.73	44
C516C6WA	16A	200-415V~	4P 5W	IP67	NO	YES	4.00	101	4.41	112	6.22	157	1.85	47
C332C6WA	32A	220-240V~	2P 3W	IP67	NO	YES	4.37	111	5.35	136	8.78	223	2.32	59
C432C6WA	32A	380-415V~	3P 4W	IP67	NO	YES	4.37	111	5.35	136	7.4	187	2.32	59
C532C6WA	32A	200-415V~	4P 5W	IP67	NO	YES	4.37	111	5.35	136	7.4	187	2.32	59
C363C6WA	63A	220-240V~	2P 3W	IP67	NO	YES	4.37	111	6.85	174	9.29	235	2.83	72
C463C6WA	63A	380-415V~	3P 4W	IP67	NO	YES	4.37	111	6.85	174	9.29	235	2.83	72
C563C6WA	63A	200-415V~	4P 5W	IP67	NO	YES	4.37	111	7.01	178	9.45	240	2.83	72
C3125C6WA	125A	220-240V~	2P 3W	IP67	NO	YES	4.92	125	7.44	189	10.48	266	3.58	91
C4125C6WA	125A	380-415V~	3P 4W	IP67	NO	YES	4.92	125	7.44	189	10.38	263	3.58	91
C5125C6WA	125A	200-415V~	4P 5W	IP67	NO	YES	4.92	125	7.60	193	10.64	270	3.58	91

LIST OF PARTS

DESCRIPTION	MATERIAL	FINISH
CONN. HOUSING	PBT	
LOCKNUT	NYLON	
CONTACT PINS	BRASS	
LOCKING RING	PBT/PC	
CONTACT CARRIER	NYLON GF	
GROMMET	TPE	
ASSEMBLY SCREWS	ST. STEEL	
PIN		
TORSION SPRING		
EXTERNAL CORD CLAMP	PBT/PC	
GASKET		

3	12/9/19 ADDED GLAND NUT TO PARTS LIST; CREATED TABLE FOR CABLE RANGES; REMOVED CABLE RANGES FROM NOTE 3 AND REFERENCED CABLE RANGE TABLE; CHANGED LEADER TEXT TO "EXTERNAL CORD CLAMP". PER EC 200110070227 MJV		12/9/19
2	06/25/19 REVISED . CHANGED SHT 2 COLUMN C FOR VDE ONLY.PER DCN 190625105816 CAC		06/25/19

REV	DESCRIPTION	APP	DATE
-----	-------------	-----	------

THE DESIGN AND DIMENSIONS OF THE PRODUCT SHOWN ON THIS DRAWING ARE SUBJECT TO CHANGE WITHOUT NOTICE. DIMENSIONS ARE IN INCHES [mm].

TITLE

WATERTIGHT CONNECTOR 16A, 20A, 30A, 32A, 60A, 63A, 100A, 125A



WIRING DEVICE-KELLEMS
HUBBELL INCORPORATED
SHELTON, CT

TOLERANCES UNLESS OTHERWISE SPECIFIED .XX = ± .01 .XXX = ± .005 ANGLE TOL. ±2°	DR. BY AD	SCALE
	CHK. BY CAC	DATE 12/3/18

DIMENSION SHEET FOR CAT. NO. SEE TABLES ON SHEETS 2 & 3

B

M-14032

3

M-14032

3

DUAL RATED CAT NO.S

CAT NO.	AMP	VOLTAGE	POLES & WIRES	IP RATING	REF. CAT NO.	DUAL AMP.	DUAL VOLTAGE	A		B		C		D	
								in.	mm	in.	mm	in.	mm	in.	mm
C320C6WA	20A	250VAC	2P 3W	IP67	C316C6WA	16A	220-240V~	2.78	70	4.29	109	6.77	172	1.73	44
C420C6WA	20A	380-415VAC	3P 4W	IP67	C416C6WA	16A	380-415V~	3.09	78	4.29	109	6.77	175	1.73	44
C420C9WA	20A	125/250VAC	3P 4W	IP67	C416C9WA	16A	125/250V~	3.09	78	4.29	109	6.89	175	1.73	44
C520C6WA	20A	200-415VAC	4P 5W	IP67	C516C6WA	16A	200-415V~	3.41	86	4.41	112	7.20	183	1.85	47
C520C9WA	20A	3ØY 120/208VAC	4P 5W	IP67	C516C9WA	16A	3ØY 120/208V~	3.41	86	4.41	112	7.20	183	1.85	47
C330C6WA	30A	250VAC	2P 3W	IP67	C332C6WA	32A	220-240V~	3.70	94	5.35	136	8.73	222	2.32	59
C430C6WA	30A	380-415VAC	3P 4W	IP67	C432C6WA	32A	380-415V~	3.70	94	5.35	136	8.73	222	2.32	59
C430C9WA	30A	125/250VAC	3P 4W	IP67	C432C9WA	32A	125/250V~	3.70	94	5.35	136	8.78	223	2.32	59
C530C6WA	30A	200-415VAC	4P 5W	IP67	C532C6WA	32A	200-415V~	4.00	101	5.35	136	8.98	228	2.32	59
C530C9WA	30A	3ØY 120/208VAC	4P 5W	IP67	C532C9WA	32A	3ØY 120/208V~	4.00	101	5.35	136	8.98	228	2.32	59
C360C6WA	60A	250VAC	2P 3W	IP67	C363C6WA	63A	220-240V~	4.37	111	6.85	174	11.06	285	2.83	72
C460C6WA	60A	380-415VAC	3P 4W	IP67	C463C6WA	63A	380-415V~	4.37	111	6.85	174	11.06	285	2.83	72
C460C9WA	60A	125/250VAC	3P 4W	IP67	C463C9WA	63A	125/250V~	4.37	111	6.85	174	11.06	285	2.83	72
C560C6WA	60A	200-415VAC	4P 5W	IP67	C563C6WA	63A	200-415V~	4.37	111	7.01	178	11.22	285	2.83	72
C560C9WA	60A	3ØY 120/208VAC	4P 5W	IP67	C563C9WA	63A	3ØY 120/208V~	4.37	111	7.01	178	11.22	285	2.83	72
C3100C6WA	100A	250VAC	2P 3W	IP67	C3125C6WA	125A	220-240V~	4.92	125	7.44	189	12.83	326	3.58	91
C4100C6WA	100A	380-415VAC	3P 4W	IP67	C4125C6WA	125A	380-415V~	4.92	125	7.44	189	12.83	326	3.58	91
C4100C9WA	100A	125/250VAC	3P 4W	IP67	C4125C9WA	125A	125/250V~	4.92	125	7.44	189	12.83	326	3.58	91
C5100C6WA	100A	200-415VAC	4P 5W	IP67	C5125C6WA	125A	200-415V~	4.92	125	7.56	192	12.97	329	3.58	91
C5100C9WA	100A	3ØY 120/208VAC	4P 5W	IP67	C5125C9WA	125A	3ØY 120/208V~	4.92	125	7.60	193	13.03	331	3.58	91

LIST OF PARTS

DESCRIPTION	MATERIAL	FINISH
CONN. HOUSING	PBT	
LOCKNUT	NYLON	
CONTACT PINS	BRASS	
LOCKING RING	PBT/PC	
CONTACT CARRIER	NYLON GF	
GROMMET	TPE	
ASSEMBLY SCREWS	ST. STEEL	
PIN		
TORSION SPRING		
EXTERNAL CORD CLAMP	PBT/PC	
GASKET		

3	12/9/19 ADDED GLAND NUT TO PARTS LIST; CREATED TABLE FOR CABLE RANGES; REMOVED CABLE RANGES FROM NOTE 3 AND REFERENCED CABLE RANGE TABLE; CHANGED LEADER TEXT TO "EXTERNAL CORD CLAMP". PER EC 200110070227 MJV		12/9/19
2	06/25/19 REVISED . CHANGED SHT 2 COLUMN C FOR VDE ONLY.PER DCN 190625105816 CAC		06/25/19

REV	DESCRIPTION	APP	DATE
-----	-------------	-----	------

THE DESIGN AND DIMENSIONS OF THE PRODUCT SHOWN ON THIS DRAWING ARE SUBJECT TO CHANGE WITHOUT NOTICE. DIMENSIONS ARE IN INCHES [mm].

TITLE

WATERTIGHT CONNECTOR 16A, 20A, 30A, 32A, 60A, 63A, 100A, 125A



WIRING DEVICE-KELLEMS
HUBBELL INCORPORATED
SHELTON, CT

TOLERANCES UNLESS OTHERWISE SPECIFIED .XX = ± .01 .XXX = ± .005 ANGLE TOL. ±2°	DR. BY AD	SCALE
	CHK. BY CAC	DATE 12/3/18