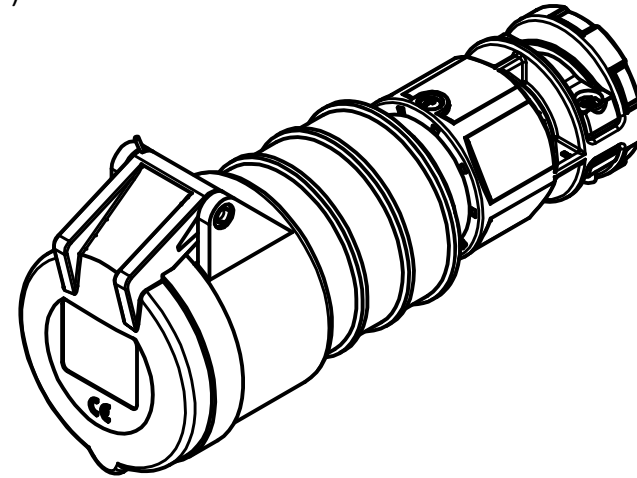
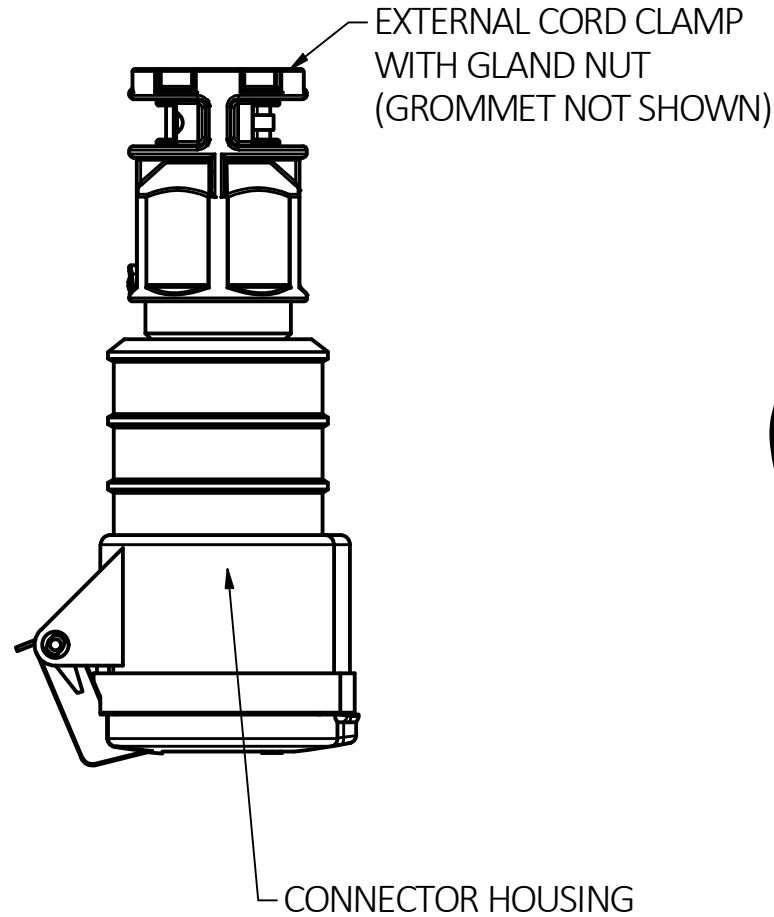
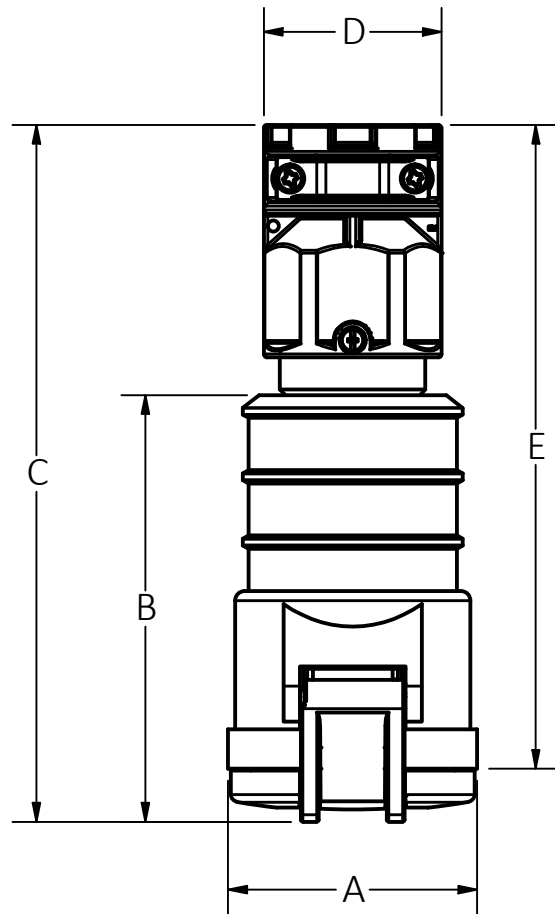
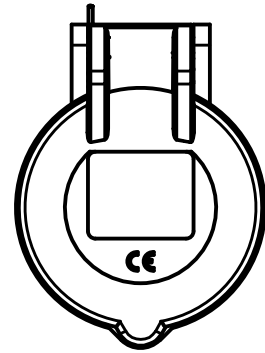


M-14033

2



16A/20A 5W SPLASHPROOF CONNECTOR SHOWN



- NOTES:
1. UL LISTED STANDARD 1682, CSA CERTIFIED C22.2 NO. 182.1 - 1988 AND COMPLY TO VDE AND CE REQUIREMENTS. COMPLIES WITH IEC 60309-1 AND IEC 60309-2 STANDARDS.
ENVIRONMENTAL RATING: SEE TABLES ON SHEET 2 & 3
 2. DIMENSIONS ARE DISPLAYED ON SHEET 2 FOR cULus LISTED AND VDE RATED CAT NO.'S AND ON SHEET 3 FOR DUAL RATED CAT NO.'S.
 3. SEE TABLE FOR CABLE RANGES

CABLE RANGES			
UL		VDE	
AMPERE	MIN/MAX OD	AMPERE	MIN/MAX OD
20	.370/.710	16	.360/.827
30	.565/1.150	32	.565/1.161
60	.970/1.450	63	.970/1.450
100	1.050/1.880	125	1.220/1.890

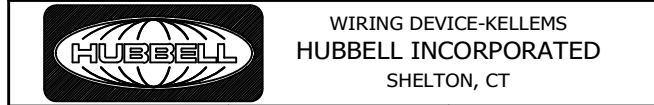
LIST OF PARTS

DESCRIPTION	MATERIAL	FINISH
CONN. HOUSING	PBT	
LOCKNUT	NYLON	
CONTACT PINS	BRASS	
COVER	PBT	
CONTACT CARRIER	NYLON GF	
GROMMET	TPE	
ASSEMBLY SCREWS	ST. STEEL	
PIN		
TORSION SPRING		
EXTERNAL CORD CLAMP	PBT/PC	
GASKET		

REV	DESCRIPTION	APP	DATE
2	MOVED CABLE RANGE INFO FROM NOTE 3 TO SEPARATE TABLE; ADDED RANGES FOR UL AND VDE PER EC 200521113048 MIV CAC		05/01/20
1	NEW RELEASE PER DCN 24432 AD CAC		01/15/19

THE DESIGN AND DIMENSIONS OF THE PRODUCT SHOWN ON THIS DRAWING ARE SUBJECT TO CHANGE WITHOUT NOTICE. DIMENSIONS ARE IN INCHES [mm].

TITLE
SPLASHPROOF CONNECTOR 16A, 20A, 30A, 32A, 60A, 63A



TOLERANCES UNLESS OTHERWISE SPECIFIED .XX = ± .01 .XXX = ± .005 ANGLE TOL. ±2°	DR. BY AD CHK. BY CAC	SCALE 1/2 DATE 12/4/18
---	--------------------------	---------------------------

DIMENSION SHEET FOR CAT. NO. M-14033 SEE TABLES ON SHEETS 2 & 3 B M-14033 2

M-14033

2

UL LISTED AND VDE RATED CAT NO.S

CAT NO.	AMP	VOLTAGE	POLES & WIRES	IP RATING	UL LISTED	VDE LISTED	A		B		C		D		E	
							in.	mm	in.	mm	in.	mm	in.	mm	in.	mm
C320C4SA	20A	125VAC	2P 3W	IP44	YES	NO	2.01	51	4.17	106	6.77	172	1.73	44	6.71	170
C320C7SA	20A	480VAC	2P 3W	IP44	YES	NO	2.01	51	4.17	106	6.77	172	1.73	44	6.71	170
C420C5SA	20A	3Ø 600VAC	3P 4W	IP44	YES	NO	2.28	58	4.29	109	6.89	175	1.73	44	6.71	170
C420C7SA	20A	3Ø 480VAC	3P 4W	IP44	YES	NO	2.28	58	4.29	109	6.89	175	1.73	44	6.71	170
C420C12SA	20A	125/250VAC	3P 4W	IP44	YES	NO	2.28	58	4.29	109	6.89	175	1.73	44	6.71	170
C520C5SA	20A	3ØY 347/600V	4P 5W	IP44	YES	NO	2.54	64	4.45	113	7.28	185	1.85	47	6.71	170
C520C7SA	20A	3ØY 277/480V	4P 5W	IP44	YES	NO	2.54	64	4.45	113	7.28	185	1.85	47	6.71	170
C330C4SA	30A	125VAC	2P 3W	IP44	YES	NO	2.60	66	5.28	134	8.70	221	2.32	59	8.14	207
C330C7SA	30A	480VAC	2P 3W	IP44	YES	NO	2.60	66	5.28	134	8.70	221	2.32	59	8.14	207
C430C5SA	30A	3Ø 600VAC	3P 4W	IP44	YES	NO	2.68	68	5.24	133	8.66	220	2.32	59	8.14	207
C430C7SA	30A	3Ø 480VAC	3P 4W	IP44	YES	NO	2.68	68	5.24	133	8.66	220	2.32	59	8.14	207
C430C12SA	30A	125/250VAC	3P 4W	IP44	YES	NO	2.68	68	5.24	133	8.66	220	2.32	59	8.14	207
C530C5SA	30A	3ØY 347/600V	4P 5W	IP44	YES	NO	2.91	74	5.28	134	8.70	221	2.32	59	8.14	207
C530C7SA	30A	3ØY 277/480V	4P 5W	IP44	YES	NO	2.91	74	5.28	134	8.70	221	2.32	59	8.14	207
C360C4SA	60A	125VAC	2P 3W	IP44	YES	NO	3.62	92	6.73	171	10.75	273	2.83	72	10.54	268
C360C7SA	60A	480VAC	2P 3W	IP44	YES	NO	3.62	92	6.73	171	10.75	273	2.83	72	10.54	268
C460C5SA	60A	3Ø 600VAC	3P 4W	IP44	YES	NO	3.74	95	6.73	171	10.75	283	2.83	72	10.54	268
C460C7SA	60A	3Ø 480VAC	3P 4W	IP44	YES	NO	3.74	95	6.73	171	10.75	283	2.83	72	10.54	268
C460C12SA	60A	125/250VAC	3P 4W	IP44	YES	NO	3.74	95	6.73	171	10.75	283	2.83	72	10.54	268
C560C5SA	60A	3ØY 347/600V	4P 5W	IP44	YES	NO	3.74	95	6.93	176	11.14	283	2.83	72	10.54	268
C560C7SA	60A	3ØY 277/480V	4P 5W	IP44	YES	NO	3.74	95	6.93	176	11.14	283	2.83	72	10.54	268
C316C4SA	16A	100-130V	2P 3W	IP44	NO	YES	2.01	51	4.17	106	6.77	172	1.73	44	6.71	170
C332C4SA	32A	100-130V	2P 3W	IP44	NO	YES	2.60	66	5.28	134	8.70	221	2.32	59	8.14	207
C432C3SA	32A	380V 50Hz 440V 60Hz	3P 4W	IP44	NO	YES	2.68	68	5.24	133	8.66	220	2.32	59	8.14	207
C316C6SA	16A	220-240V~	2P 3W	IP44	NO	YES	2.01	51	4.17	106	6.77	172	1.73	44	6.71	170
C416C6SA	16A	380-415V~	3P 4W	IP44	NO	YES	2.28	58	4.29	109	6.89	175	1.73	44	6.71	170
C516C6SA	16A	200-415V~	4P 5W	IP44	NO	YES	2.54	64	4.45	113	7.28	185	1.85	47	6.71	170
C332C6SA	32A	220-240V~	2P 3W	IP44	NO	YES	2.60	66	5.28	133	8.70	221	2.32	59	8.14	207
C432C6SA	32A	380-415V~	3P 4W	IP44	NO	YES	2.68	68	5.24	134	8.66	220	2.32	59	8.14	207
C532C6SA	32A	200-415V~	4P 5W	IP44	NO	YES	2.91	74	5.28	134	8.70	221	2.32	59	8.14	207
C363C6SA	63A	220-240V~	2P 3W	IP44	NO	YES	3.62	92	6.73	171	10.75	273	2.83	72	10.54	268
C463C6SA	63A	380-415V~	3P 4W	IP44	NO	YES	3.74	95	6.73	171	10.75	283	2.83	72	10.54	268
C563C6SA	63A	200-415V~	4P 5W	IP44	NO	YES	3.74	95	6.93	176	11.4	283	2.83	72	10.54	268
C532C6SLT	32A	200-415V~			NO	YES	2.91	74	5.28	134	8.70	221	2.32	59	8.14	207
C363C6SLT	63A	220-240V~			NO	YES	3.62	92	6.73	171	10.75	283	2.83	72	10.54	268
C463C6SLT	63A	380-415V~			NO	YES	3.74	95	6.73	171	10.75	283	2.83	72	10.54	268
C563C6SLT	63A	200-415V~			NO	YES	3.74	95	6.93	176	11.14	283	2.83	72	10.54	268

LIST OF PARTS

DESCRIPTION	MATERIAL	FINISH
CONN. HOUSING	PBT	
LOCKNUT	NYLON	
CONTACT PINS	BRASS	
COVER	PBT	
CONTACT CARRIER	NYLON GF	
GROMMET	TPE	
ASSEMBLY SCREWS	ST. STEEL	
PIN		
TORSION SPRING		
EXTERNAL CORD CLAMP	PBT/PC	
GASKET		

2	MOVED CABLE RANGE INFO FROM NOTE 3 TO SEPARATE TABLE; ADDED RANGES FOR UL AND VDE PER EC 200521113048 MJV CAC		05/01/20
1	NEW RELEASE PER DCN 24432 AD CAC		01/15/19
REV	DESCRIPTION	APP	DATE

THE DESIGN AND DIMENSIONS OF THE PRODUCT SHOWN ON THIS DRAWING ARE SUBJECT TO CHANGE WITHOUT NOTICE. DIMENSIONS ARE IN INCHES [mm].

TITLE

SPLASHPROOF CONNECTOR 16A, 20A, 30A, 32A, 60A, 63A



WIRING DEVICE-KELLEMS
HUBBELL INCORPORATED
SHELTON, CT

TOLERANCES UNLESS OTHERWISE SPECIFIED
.XX = ± .01
.XXX = ± .005
ANGLE TOL. ±2°

DR. BY AD
CHK. BY CAC

SCALE
DATE 12/3/18

DIMENSION SHEET FOR CAT. NO. SEE TABLES ON SHEETS 2 & 3

B

M-14033

2

M-14033

2

DUAL RATED CAT NO.S

CAT NO.	AMP	VOLTAGE	POLES & WIRES	IP RATING	REF. CAT NO.	DUAL AMP.	DUAL VOLTAGE	A		B		C		D		E	
								in.	mm	in.	mm	in.	mm	in.	mm	in.	mm
C320C6SA	20A	250VAC	2P 3W	IP44	C316C6SA	16A	220-240V~	2.01	51	4.17	106	6.77	172	1.73	44	6.38	162
C420C6SA	20A	380-415VAC	3P 4W	IP44	C416C6SA	16A	380-415V~	2.28	58	4.29	109	6.89	175	1.73	44	6.42	163
C420C9SA	20A	125/250VAC	3P 4W	IP44	C416C9SA	16A	125/250V~	2.28	58	4.29	109	6.89	175	1.73	44	6.42	163
C520C6SA	20A	200-415VAC	4P 5W	IP44	C516C6SA	16A	200-415V~	2.54	58	4.29	109	7.28	185	1.85	47	6.73	171
C520C9SA	20A	3ØY 120/208VAC	4P 5W	IP44	C516C9SA	16A	3ØY 120/208V~	2.54	64	4.45	113	7.26	184	1.85	47	6.71	171
C330C6SA	30A	250VAC	2P 3W	IP44	C332C6SA	32A	220-240V~	2.60	66	5.28	134	8.70	221	2.32	59	8.70	221
C430C6SA	30A	380-415VAC	3P 4W	IP44	C432C6SA	32A	380-415V~	2.60	66	5.28	134	8.70	221	2.32	59	8.70	221
C430C9SA	30A	125/250VAC	3P 4W	IP44	C432C9SA	32A	125/250V~	2.68	68	5.24	133	8.70	221	2.32	59	8.15	207
C530C6SA	30A	200-415VAC	4P 5W	IP44	C532C6SA	32A	200-415V~	2.91	74	5.28	134	8.66	220	2.32	59	8.15	207
C530C9SA	30A	3ØY 120/208VAC	4P 5W	IP44	C532C9SA	32A	3ØY 120/208V~	2.91	74	5.28	134	8.70	221	2.32	59	8.15	207
C360C6SA	60A	250VAC	2P 3W	IP44	C363C6SA	63A	220-240V~	3.62	92	6.73	171	10.75	283	2.83	72	10.16	258
C460C6SA	60A	380-415VAC	3P 4W	IP44	C463C6SA	63A	380-415V~	3.74	95	6.73	171	10.75	283	2.83	72	10.20	259
C460C9SA	60A	125/250VAC	3P 4W	IP44	C463C9SA	63A	125/250V~	3.74	95	6.73	171	10.75	283	2.83	72	10.20	259
C560C6SA	60A	200-415VAC	4P 5W	IP44	C563C6SA	63A	200-415V~	3.74	95	6.93	176	11.14	283	2.83	72	10.55	268
C560C9SA	60A	3ØY 120/208VAC	4P 5W	IP44	C563C9SA	63A	3ØY 120/208V~	3.74	95	6.93	176	11.14	283	2.83	72	10.55	268

LIST OF PARTS

DESCRIPTION	MATERIAL	FINISH
CONN. HOUSING	PBT	
LOCKNUT	NYLON	
CONTACT PINS	BRASS	
COVER	PBT	
CONTACT CARRIER	NYLON GF	
GROMMET	TPE	
ASSEMBLY SCREWS	ST. STEEL	
PIN		
TORSION SPRING		
EXTERNAL CORD CLAMP	PBT/PC	
GASKET		

2	MOVED CABLE RANGE INFO FROM NOTE 3 TO SEPARATE TABLE; ADDED RANGES FOR UL AND VDE PER EC 200521113048 MJV CAC		05/01/20
1	NEW RELEASE PER DCN 24432 AD CAC		01/15/19
REV	DESCRIPTION	APP	DATE

THE DESIGN AND DIMENSIONS OF THE PRODUCT SHOWN ON THIS DRAWING ARE SUBJECT TO CHANGE WITHOUT NOTICE. DIMENSIONS ARE IN INCHES [mm].

TITLE

SPLASHPROOF CONNECTOR 16A, 20A, 30A, 32A, 60A, 63A



WIRING DEVICE-KELLEMS
HUBBELL INCORPORATED
SHELTON, CT

TOLERANCES UNLESS OTHERWISE SPECIFIED .XX = ±.01 .XXX = ±.005 ANGLE TOL. ±2'	DR. BY AD	SCALE
	CHK. BY CAC	DATE 12/3/18

DIMENSION SHEET FOR CAT. NO. SEE TABLES ON SHEETS 2 & 3

B

M-14033

2