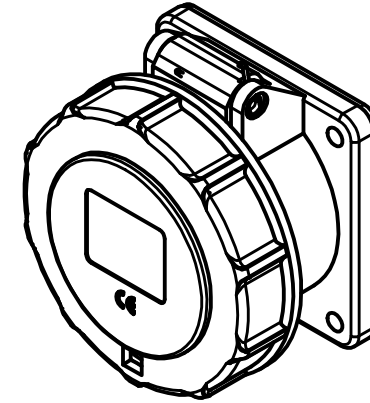
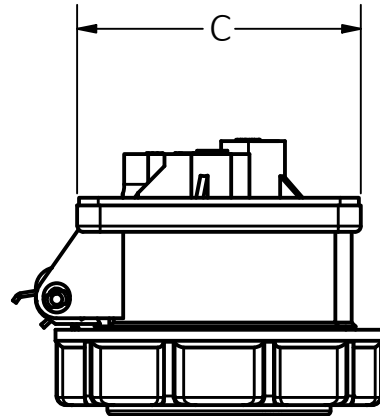
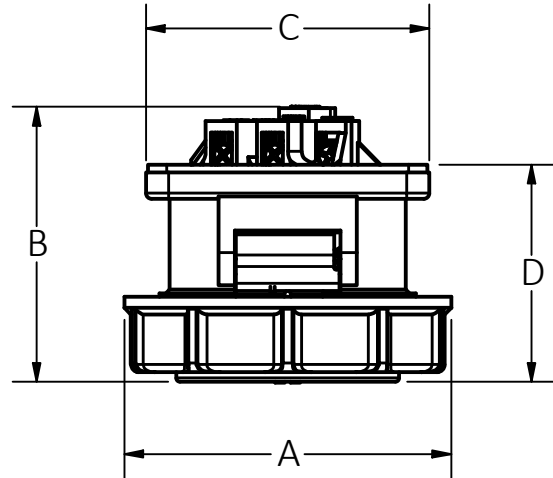
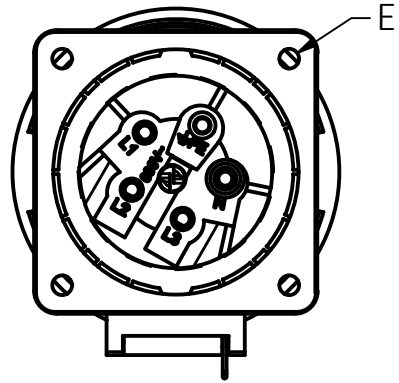
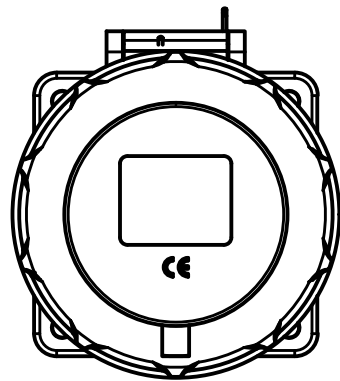


M-14034

2



16A/20A 5W WATERTIGHT RECEPTACLE SHOWN



NOTES:

1. UL LISTED STANDARD 1682, CSA CERTIFIED C22.2 NO. 182.1 - 1988 AND COMPLY TO VDE AND CE REQUIREMENTS. COMPLIES WITH IEC 60309-1 AND IEC 60309-2 STANDARDS.

ENVIRONMENTAL RATING: SEE TABLES ON SHEET 2 & 3

2. DIMENSIONS ARE DISPLAYED ON SHEET 2 FOR cULus LISTED AND VDE RATED CAT NO.'S AND ON SHEET 3 FOR DUAL RATED CAT NO.'S.

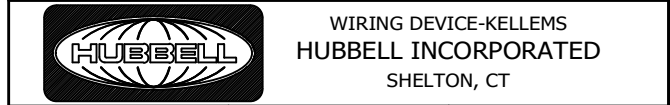
LIST OF PARTS

DESCRIPTION	MATERIAL	FINISH
RECEPT. HOUSING	PBT/PC (20A,30A, NYLON (60A, 100A)	
LOCKING RING	PBT/PC	
CONTACT PINS	BRASS	
COVER	PBT/PC	
CONTACT CARRIER	NYLON GF	
GASKET	TPE	
ASSEMBLY SCREWS	ST. STEEL	
PIN		
TORSION SPRING	ST.STEEL	

REV	DESCRIPTION	APP	DATE
2	UPDATED DIMENSIONS IN TABLES ON SHEETS 3 AND 4 DUE TO INACCURACIES PER EC 200110070227 MJV		12/12/19
1	NEW RELEASE PER DCN 24432 AD CAC		01/17/19

THE DESIGN AND DIMENSIONS OF THE PRODUCT SHOWN ON THIS DRAWING ARE SUBJECT TO CHANGE WITHOUT NOTICE. DIMENSIONS ARE IN INCHES [mm].

TITLE
WATERTIGHT RECEPTACLE 16A, 20A, 30A, 32A, 60A, 63A, 100A, 125A



TOLERANCES UNLESS OTHERWISE SPECIFIED .XX = ± .01 .XXX = ± .005 ANGLE TOL. ±2'	DR. BY AD	SCALE 1/2
	CHK. BY CAC	DATE 12/5/18

DIMENSION SHEET FOR CAT. NO. M-14034 SEE TABLES ON SHEETS 2 & 3

B

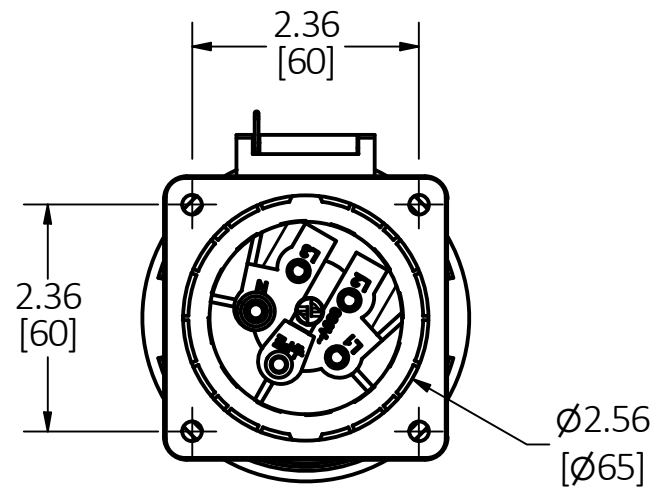
M-14034

2

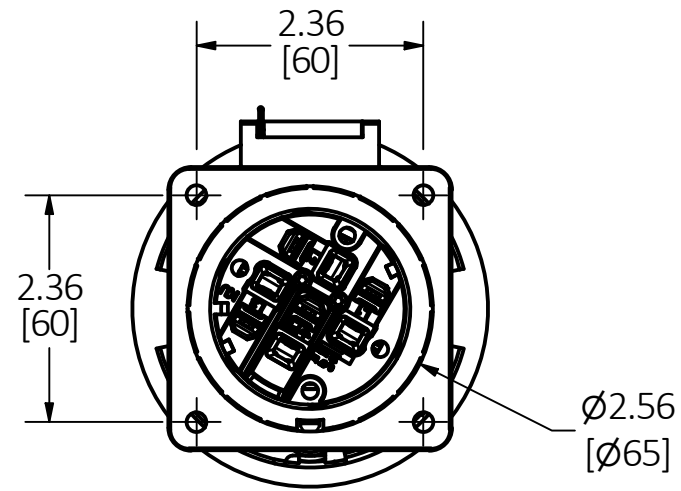
M-14034

2

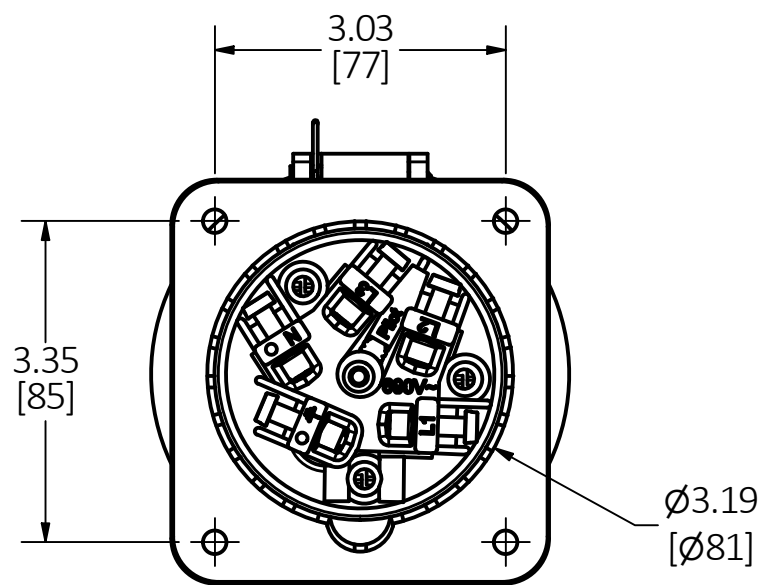
20A PANEL CUTOUT



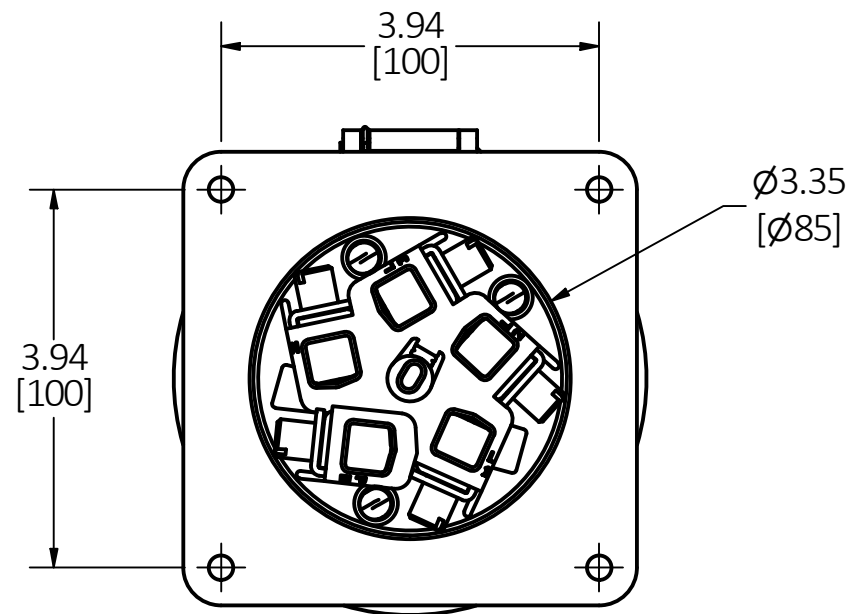
30A PANEL CUTOUT



60A PANEL CUTOUT



100A PANEL CUTOUT



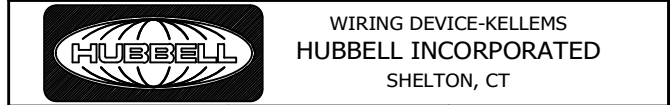
LIST OF PARTS

DESCRIPTION	MATERIAL	FINISH
RECEPT. HOUSING	PBT/PC (20A, 30A) NYLON (60A,100A)	
LOCKING RING	PBT/PC	
CONTACT PINS	BRASS	
COVER	PBT/PC	
CONTACT CARRIER	NYLON GF	
GASKET	TPE	
ASSEMBLY SCREWS	ST. STEEL	
PIN		
TORSION SPRING	ST. STEEL	

2	UPDATED DIMENSIONS IN TABLES ON SHEETS 3 AND 4 DUE TO INACCURACIES PER EC 200110070227 MJV		12/12/19
1	NEW RELEASE PER DCN 24432 AD CAC		01/17/19
REV	DESCRIPTION	APP	DATE

THE DESIGN AND DIMENSIONS OF THE PRODUCT SHOWN ON THIS DRAWING ARE SUBJECT TO CHANGE WITHOUT NOTICE. DIMENSIONS ARE IN INCHES [mm].

TITLE
WATERTIGHT RECEPTACLE 16A, 20A, 30A, 32A, 60A, 63A, 100A, 125A




TOLERANCES UNLESS OTHERWISE SPECIFIED .XX = ± .01 .XXX = ± .005 ANGLE TOL. ±2'	DR. BY AD	SCALE 1/2
	CHK. BY CAC	DATE 12/6/18

DIMENSION SHEET FOR CAT. NO. SEE TABLES ON SHEET 3 AND 4 B M-14034 2

UL LISTED AND VDE RATED CAT NO.S

CAT NO.	AMP	VOLTAGE	POLES & WIRES	IP RATING	UL LISTED	VDE LISTED	A		B		C		D		E	
							in.	mm	in.	mm	in.	mm	in.	mm	in.	mm
C320R4WA	20A	125VAC	2P 3W	IP67	YES	NO	2.78	70	2.83	72	2.95	75	2.17	55	0.22	5
C320R7WA	20A	480VAC	2P 3W	IP67	YES	NO	2.78	70	2.83	72	2.95	75	2.17	55	0.22	5
C420R5WA	20A	3Ø 600VAC	3P 4W	IP67	YES	NO	3.09	78	3.23	82	2.95	75	2.24	57	0.22	5
C420R7WA	20A	3Ø 480VAC	3P 4W	IP67	YES	NO	3.09	78	3.23	82	2.95	75	2.24	57	0.22	5
C420R12WA	20A	125/250VAC	3P 4W	IP67	YES	NO	3.09	78	3.23	82	2.95	75	2.24	57	0.22	5
C520R5WA	20A	3ØY 347/600V	4P 5W	IP67	YES	NO	3.39	86	2.83	72	2.95	75	2.17	55	0.22	5
C520R7WA	20A	3ØY 277/480V	4P 5W	IP67	YES	NO	3.39	86	2.83	72	2.95	75	2.17	55	0.22	5
C330R4WA	30A	125VAC	2P 3W	IP67	YES	NO	3.70	94	4.25	108	2.95	75	2.68	68	0.22	5
C330R7WA	30A	480VAC	2P 3W	IP67	YES	NO	3.70	94	4.25	108	2.95	75	2.68	68	0.22	5
C430R5WA	30A	3Ø 600VAC	3P 4W	IP67	YES	NO	3.70	94	4.25	108	2.95	75	2.68	68	0.22	5
C430R7WA	30A	3Ø 480VAC	3P 4W	IP67	YES	NO	3.70	94	4.25	108	2.95	75	2.68	68	0.22	5
C430R12WA	30A	125/250VAC	3P 4W	IP67	YES	NO	3.70	94	4.25	108	2.95	75	2.68	68	0.22	5
C530R5WA	30A	3ØY 347/600V	4P 5W	IP67	YES	NO	3.98	101	4.33	110	2.95	75	2.52	64	0.22	5
C530R7WA	30A	3ØY 277/480V	4P 5W	IP67	YES	NO	3.98	101	4.33	110	2.95	75	2.52	64	0.22	5
C360R4WA	60A	125VAC	2P 3W	IP67	YES	NO	4.37	111	5.20	132	3.94	100	2.95	75	0.26	6
C360R7WA	60A	480VAC	2P 3W	IP67	YES	NO	4.37	111	5.20	132	3.94	100	2.95	75	0.26	6
C460R5WA	60A	3Ø 600VAC	3P 4W	IP67	YES	NO	4.37	111	5.20	132	3.94	100	2.95	75	0.26	6
C460R7WA	60A	3Ø 480VAC	3P 4W	IP67	YES	NO	4.37	111	5.20	132	3.94	100	2.95	75	0.26	6
C460R12WA	60A	125/250VAC	3P 4W	IP67	YES	NO	4.37	111	5.20	132	3.94	100	2.95	75	0.26	6
C560R5WA	60A	3ØY 347/600V	4P 5W	IP67	YES	NO	4.37	111	5.35	136	3.94	100	3.11	79	0.26	6
C560R7WA	60A	3ØY 277/480V	4P 5W	IP67	YES	NO	4.37	111	5.35	136	3.94	100	3.11	79	0.26	6
C3100R7WA	100A	480VAC	2P 3W	IP67	YES	NO	4.92	125	6.42	163	4.72	120	4.49	114	0.28	7
C4100R5WA	100A	3Ø 600VAC	3P 4W	IP67	YES	NO	4.92	125	6.42	163	4.72	120	4.53	115	0.28	7
C4100R7WA	100A	3Ø 480VAC	3P 4W	IP67	YES	NO	4.92	125	6.42	163	4.72	120	4.53	115	0.28	7
C4100R12WA	100A	125/250VAC	3P 4W	IP67	YES	NO	4.92	125	6.42	163	4.72	120	4.53	115	0.28	7
C5100R5WA	100A	3ØY 347/600V	4P 5W	IP67	YES	NO	4.92	125	6.54	166	4.72	120	4.65	118	0.28	7
C5100R7WA	100A	3ØY 277/480V	4P 5W	IP67	YES	NO	4.92	125	6.54	166	4.72	120	4.65	118	0.28	7
C316R4WA	16A	100-130V	2P 3W	IP67	NO	YES	2.78	70	2.83	72	2.95	75	2.17	55	0.22	5
C332R4WA	32A	100-130V	2P 3W	IP67	NO	YES	3.70	94	4.25	108	2.95	75	2.68	68	0.22	5
C432R3WA	32A	380V 50Hz 440V 60Hz	3P 4W	IP67	NO	YES	3.70	94	4.25	108	2.95	75	2.68	68	0.22	5
C316R6WA	16A	220-240V~	2P 3W	IP67	NO	YES	2.78	70	2.83	72	2.95	75	2.17	55	0.22	5
C416R6WA	16A	380-415V~	3P 4W	IP67	NO	YES	3.09	78	3.23	82	2.95	75	2.24	57	0.22	5
C516R6WA	16A	200-415V~	4P 5W	IP67	NO	YES	3.39	86	2.83	72	2.95	75	2.68	68	0.22	5
C332R6WA	32A	220-240V~	2P 3W	IP67	NO	YES	3.70	94	4.25	108	2.95	75	2.68	68	0.22	5
C432R6WA	32A	380-415V~	3P 4W	IP67	NO	YES	3.70	94	4.25	108	2.95	75	2.68	68	0.22	5
C532R6WA	32A	200-415V~	4P 5W	IP67	NO	YES	3.98	101	4.33	110	2.95	75	2.52	64	0.22	5
C363R6WA	63A	220-240V~	2P 3W	IP67	NO	YES	4.37	111	5.20	132	3.94	100	2.95	75	0.26	6
C463R6WA	63A	380-415V~	3P 4W	IP67	NO	YES	4.37	111	5.20	132	3.94	100	2.95	75	0.26	6
C563R6WA	63A	200-415V~	4P 5W	IP67	NO	YES	4.37	111	5.35	136	3.94	100	3.11	79	0.26	6
C3125R6WA	125A	220-240V~	2P 3W	IP67	NO	YES	4.92	125	6.42	163	4.72	120	4.49	114	0.28	7
C4125R6WA	125A	380-415V~	3P 4W	IP67	NO	YES	4.92	125	6.42	163	4.72	120	4.53	115	0.28	7
C5125R6WA	125A	200-415V~	4P 5W	IP67	NO	YES	4.92	125	6.54	166	4.72	120	4.65	118	0.28	7

LIST OF PARTS

DESCRIPTION	MATERIAL	FINISH	
RECEPT. HOUSING	PBT/PC (20A, 30A) NYLON (60A, 100A)		
LOCKING RING	PBT/PC		
CONTACT PINS	BRASS		
COVER	PBT		
CONTACT CARRIER	NYLON GF		
GASKET	TPE		
ASSEMBLY SCREWS	ST. STEEL		
PIN			
TORSION SPRING	ST. STEEL		
2	UPDATED DIMENSIONS IN TABLES ON SHEETS 3 AND 4 DUE TO INACCURACIES PER EC 200110070227 MJV	12/12/19	
1	NEW RELEASE PER DCN 24432 AD CAC	01/17/19	
REV	DESCRIPTION	APP	DATE
THE DESIGN AND DIMENSIONS OF THE PRODUCT SHOWN ON THIS DRAWING ARE SUBJECT TO CHANGE WITHOUT NOTICE. DIMENSIONS ARE IN INCHES [mm].			
TITLE			
WATERTIGHT RECEPTACLE 16A, 20A, 30A, 32A, 60A, 63A, 100A, 125A			
		WIRING DEVICE-KELLEMS HUBBELL INCORPORATED SHELTON, CT	
TOLERANCES UNLESS OTHERWISE SPECIFIED .XX = ± .01 .XXX = ± .005 ANGLE TOL. ±2'		DR. BY AD	SCALE
		CHK. BY CAC	DATE 12/5/18

DIMENSION SHEET FOR CAT. NO. SEE TABLES ON SHEETS 3 & 4

B

M-14034

2

M-14034

2


DUAL RATED CAT NO.S

CAT NO.	AMP	VOLTAGE	POLES & WIRES	IP RATING	REF. CAT NO.	DUAL AMP.	DUAL VOLTAGE	A		B		C		D		E	
								in.	mm	in.	mm	in.	mm	in.	mm	in.	mm
C320R6WA	20A	250VAC	2P 3W	IP67	C316R6WA	16A	220-240V~	2.78	70	2.83	72	2.95	75	2.17	55	0.22	5
C420R6WA	20A	380-415VAC	3P 4W	IP67	C416R6WA	16A	380-415V~	3.09	78	3.23	82	2.95	75	2.24	57	0.22	5
C420R9WA	20A	125/250VAC	3P 4W	IP67	C416R9WA	16A	125/250V~	3.09	78	3.23	82	2.95	75	2.24	57	0.22	5
C520R6WA	20A	200-415VAC	4P 5W	IP67	C516R6WA	16A	200-415V~	3.39	86	2.83	72	2.95	75	2.17	55	0.22	5
C520R9WA	20A	3ØY 120/208VAC	4P 5W	IP67	C516R9WA	16A	3ØY 120/208V~	3.39	86	2.83	72	2.95	75	2.17	55	0.22	5
C330R6WA	30A	250VAC	2P 3W	IP67	C332R6WA	32A	220-240V~	3.70	94	4.25	108	2.95	75	2.68	68	0.22	5
C430R6WA	30A	380-415VAC	3P 4W	IP67	C432R6WA	32A	380-415V~	3.70	94	4.25	108	2.95	75	2.68	68	0.22	5
C430R9WA	30A	125/250VAC	3P 4W	IP67	C432R9WA	32A	125/250V~	3.70	94	4.25	108	2.95	75	2.68	68	0.22	5
C530R6WA	30A	200-415VAC	4P 5W	IP67	C532R6WA	32A	200-415V~	3.98	101	4.33	110	2.95	75	2.52	64	0.22	5
C530R9WA	30A	3ØY 120/208VAC	4P 5W	IP67	C532R9WA	32A	3ØY 120/208V~	3.98	101	4.33	110	2.95	75	2.52	64	0.22	5
C360R6WA	60A	250VAC	2P 3W	IP67	C363R6WA	63A	220-240V~	4.37	111	5.20	132	3.94	100	2.95	75	0.26	6
C460R6WA	60A	380-415VAC	3P 4W	IP67	C463R6WA	63A	380-415V~	4.37	111	5.20	132	3.94	100	2.95	75	0.26	6
C460R9WA	60A	125/250VAC	3P 4W	IP67	C463R9WA	63A	125/250V~	4.37	111	5.20	132	3.94	100	2.95	75	0.26	6
C560R6WA	60A	200-415VAC	4P 5W	IP67	C563R6WA	63A	200-415V~	4.37	111	5.35	136	3.94	100	3.11	79	0.26	6
C560R9WA	60A	3ØY 120/208VAC	4P 5W	IP67	C563R9WA	63A	3ØY 120/208V~	4.37	111	5.35	136	3.94	100	3.11	79	0.26	6
C3100R6WA	100A	250VAC	2P 3W	IP67	C3125R6WA	125A	220-240V~	4.92	125	6.42	163	4.72	120	4.49	114	0.28	7
C4100R6WA	100A	380-415VAC	3P 4W	IP67	C4125R6WA	125A	380-415V~	4.92	125	6.42	163	4.72	120	4.53	115	0.28	7
C4100R9WA	100A	125/250VAC	3P 4W	IP67	C4125R9WA	125A	125/250V~	4.92	125	6.42	163	4.72	120	4.53	115	0.28	7
C5100R6WA	100A	200-415VAC	4P 5W	IP67	C5125R6WA	125A	200-415V~	4.92	125	6.54	166	4.72	120	4.65	118	0.28	7
C5100R9WA	100A	3ØY 120/208VAC	4P 5W	IP67	C5125R9WA	125A	3ØY 120/208V~	4.92	125	6.54	166	4.72	120	4.65	118	0.28	7

LIST OF PARTS		
DESCRIPTION	MATERIAL	FINISH
RECEPT. HOUSING	PBT/PC (20A, 30A) NYLON (60A, 100A)	
LOCKING RING	PBT/PC	
CONTACT PINS	BRASS	
COVER	PBT	
CONTACT CARRIER	NYLON GF	
GASKET	TPE	
ASSEMBLY SCREWS	ST. STEEL	
PIN		
TORSION SPRING	ST. STEEL	

2	UPDATED DIMENSIONS IN TABLES ON SHEETS 3 AND 4 DUE TO INACCURACIES PER EC 200110070227 MJV		12/12/19
1	NEW RELEASE PER DCN 24432 AD CAC		01/17/19

REV	DESCRIPTION	APP	DATE
	THE DESIGN AND DIMENSIONS OF THE PRODUCT SHOWN ON THIS DRAWING ARE SUBJECT TO CHANGE WITHOUT NOTICE. DIMENSIONS ARE IN INCHES [mm].		
TITLE			
WATERTIGHT RECEPTACLE 16A, 20A, 30A, 32A, 60A, 63A, 100A, 125A			

		WIRING DEVICE-KELLEMS HUBBELL INCORPORATED SHELTON, CT	
TOLERANCES UNLESS OTHERWISE SPECIFIED .XX = ±.01 .XXX = ±.005 ANGLE TOL. ±2'		DR. BY AD	SCALE
		CHK. BY CAC	DATE 12/5/18

DIMENSION SHEET FOR CAT. NO. **M-14034** SEE TABLES ON SHEETS 3 & 4 **B** **2**