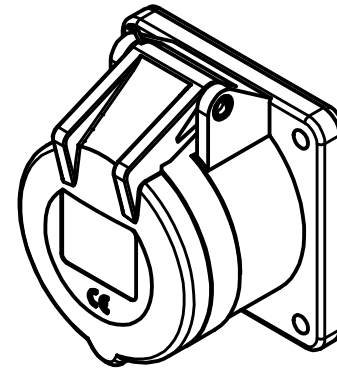
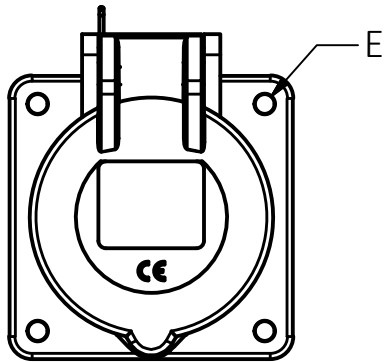
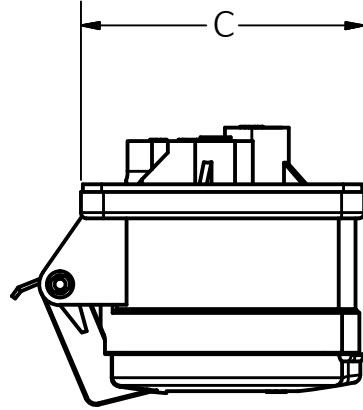
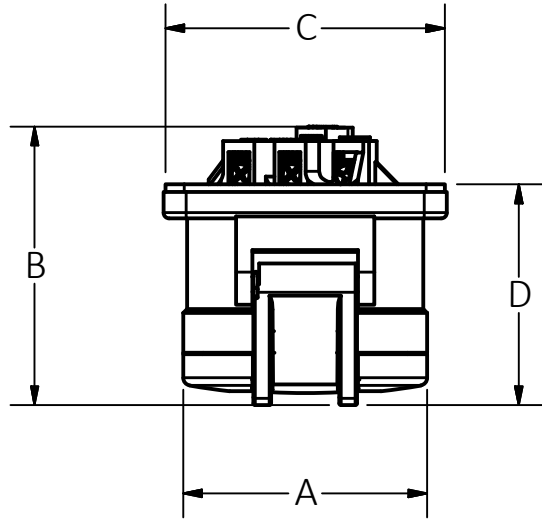
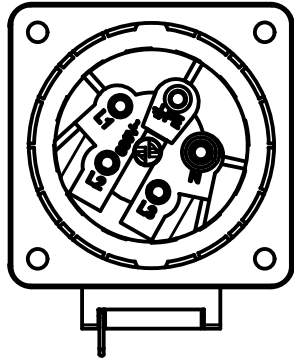


M-14035

1



16A/20A 5W SPLASHPROOF RECEPTACLE SHOWN

LIST OF PARTS

DESCRIPTION	MATERIAL	FINISH
RECEPT. HOUSING	NYLON (60A,100A) PBT (20A, 30A)	
LOCKING RING	PBT/PC	
CONTACT PINS	BRASS	
COVER	PBT/PC	
CONTACT CARRIER	NYLON GF	
GASKET	TPE	
ASSEMBLY SCREWS	ST. STEEL	
PIN		
TORSION SPRING	ST. STEEL	

DIMENSION SHEET FOR CAT. NO. SEE TABLES ON SHEETS 3 & 4

1	NEW RELEASE PER DCN 24432 AD CAC		01/18/19
REV	DESCRIPTION	APP	DATE

THE DESIGN AND DIMENSIONS OF THE PRODUCT SHOWN ON THIS DRAWING ARE SUBJECT TO CHANGE WITHOUT NOTICE. DIMENSIONS ARE IN INCHES [mm].

TITLE  
SPLASHPROOF RECEPTACLE 16A, 20A, 30A, 32A, 60A, 63A



WIRING DEVICE-KELLEMS  
HUBBELL INCORPORATED  
SHELTON, CT

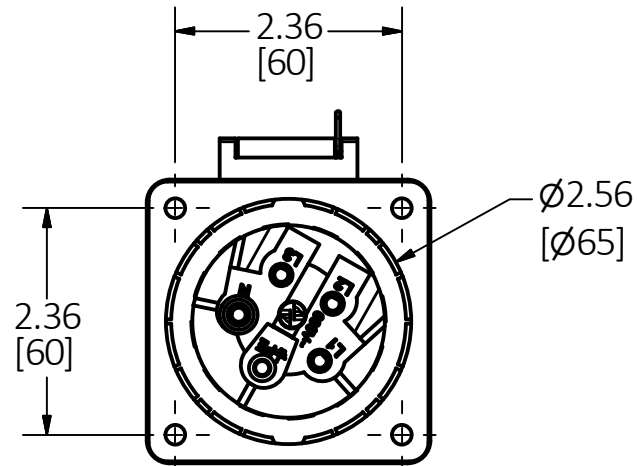
TOLERANCES UNLESS OTHERWISE SPECIFIED .XX = ±.01 .XXX = ±.005 ANGLE TOL. ±2'	DR. BY AD CHK. BY CAC	SCALE 1/2 DATE 12/6/18
---	--------------------------	---------------------------

NOTES:  
1. UL LISTED STANDARD 1682, CSA CERTIFIED C22.2 NO. 182.1 - 1988 AND COMPLY TO VDE AND CE REQUIREMENTS. COMPLIES WITH IEC 60309-1 AND IEC 60309-2 STANDARDS.  
ENVIRONMENTAL RATING: SEE TABLES ON SHEET 2 & 3  
2. DIMENSIONS ARE DISPLAYED ON SHEET 2 FOR cULus LISTED AND VDE RATED CAT NO.'S AND ON SHEET 3 FOR DUAL RATED CAT NO.'S.

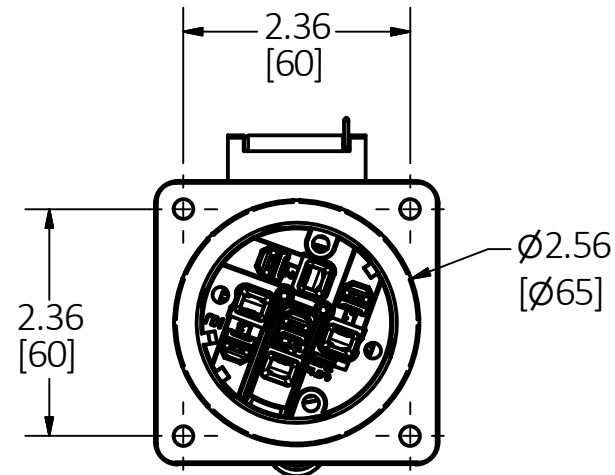
M-14035

1

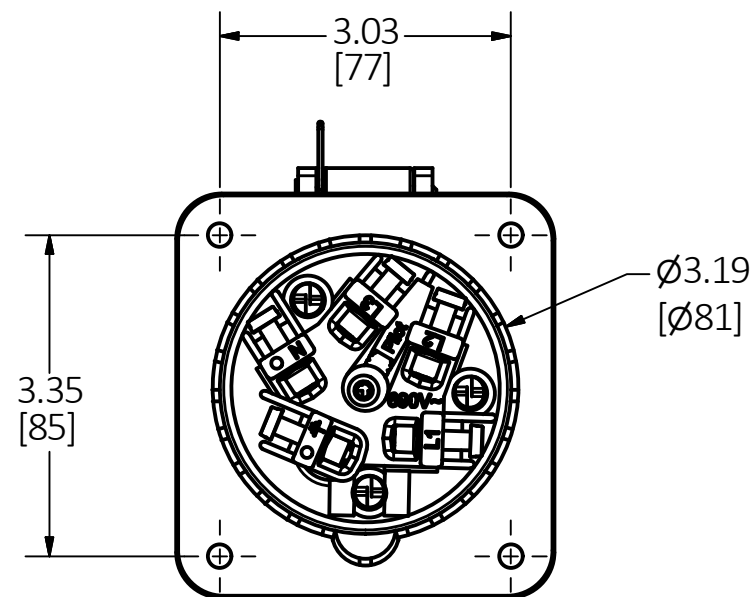
### 20A PANEL CUTOUT



### 30A PANEL CUTOUT



### 60A PANEL CUTOUT



#### LIST OF PARTS

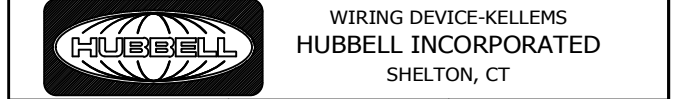
DESCRIPTION	MATERIAL	FINISH
RECEPT. HOUSING	NYLON (60A, 100A) PBT/PC(20A, 30A)	
LOCKING RING	PBT/PC	
CONTACT PINS	BRASS	
COVER	NYLON	
CONTACT CARRIER	NYLON GF	
GASKET	TPE	
ASSEMBLY SCREWS	ST. STEEL	
PIN		
TORSION SPRING	ST. STEEL	

DIMENSION SHEET FOR CAT. NO. SEE TABLES ON SHEETS 3 & 4

1	NEW RELEASE PER DCN 24432 AD CAC		01/18/19
REV	DESCRIPTION	APP	DATE

THE DESIGN AND DIMENSIONS OF THE PRODUCT SHOWN ON THIS DRAWING ARE SUBJECT TO CHANGE WITHOUT NOTICE. DIMENSIONS ARE IN INCHES [mm].

TITLE  
SPLASHPROOF RECEPTACLE 16A, 20A, 30A, 32A, 60A, 63A



TOLERANCES UNLESS OTHERWISE SPECIFIED .XX = ± .01 .XXX = ± .005 ANGLE TOL. ±2'	DR. BY AD CHK. BY CAC	SCALE 1/2 DATE 12/6/18
---	--------------------------	---------------------------

M-14035

1

UL LISTED AND VDE RATED CAT NO.S

CAT NO.	AMP	VOLTAGE	POLES & WIRES	IP RATING	UL LISTED	VDE LISTED	A		B		C		D		E	
							in.	mm	in.	mm	in.	mm	in.	mm	in.	mm
C320R4SA	20A	125VAC	2P 3W	IP44	YES	NO	2.01	51	2.76	70	2.95	75	2.09	53	0.22	5
C320R7SA	20A	480VAC	2P 3W	IP44	YES	NO	2.01	51	2.76	70	2.95	75	2.09	53	0.22	5
C420R5SA	20A	3Ø 600VAC	3P 4W	IP44	YES	NO	2.01	51	2.76	70	2.95	75	2.09	53	0.22	5
C420R7SA	20A	3Ø 480VAC	3P 4W	IP44	YES	NO	2.26	57	3.07	78	2.95	75	2.09	53	0.22	5
C420R12SA	20A	125/250VAC	3P 4W	IP44	YES	NO	2.26	57	3.07	78	2.95	75	2.09	53	0.22	5
C520R5SA	20A	3ØY 347/600V	4P 5W	IP44	YES	NO	2.54	65	2.76	70	2.95	75	2.09	53	0.22	5
C520R7SA	20A	3ØY 277/480V	4P 5W	IP44	YES	NO	2.54	65	2.76	70	2.95	75	2.09	53	0.22	5
C330R4SA	30A	125VAC	2P 3W	IP44	YES	NO	2.64	67	4.25	108	2.95	75	2.48	63	0.22	5
C330R7SA	30A	480VAC	2P 3W	IP44	YES	NO	2.64	67	4.25	108	2.95	75	2.48	63	0.22	5
C430R5SA	30A	3Ø 600VAC	3P 4W	IP44	YES	NO	2.60	66	4.13	105	2.95	75	2.56	65	0.22	5
C430R7SA	30A	3Ø 480VAC	3P 4W	IP44	YES	NO	2.60	66	4.13	105	2.95	75	2.56	65	0.22	5
C430R12SA	30A	125/250VAC	3P 4W	IP44	YES	NO	2.60	66	4.13	105	2.95	75	2.48	63	0.22	5
C530R5SA	30A	3ØY 347/600V	4P 5W	IP44	YES	NO	2.83	72	4.29	109	2.95	75	2.48	63	0.22	5
C530R7SA	30A	3ØY 277/480V	4P 5W	IP44	YES	NO	2.83	72	4.29	109	2.95	75	2.48	63	0.22	5
C360R4SA	60A	125VAC	2P 3W	IP44	YES	NO	3.74	95	5.28	134	3.94	100	3.17	78	0.24	6
C360R7SA	60A	480VAC	2P 3W	IP44	YES	NO	3.74	95	5.28	134	3.94	100	3.17	78	0.26	6
C460R5SA	60A	3Ø 600VAC	3P 4W	IP44	YES	NO	3.74	95	5.28	134	3.94	100	3.07	78	0.26	6
C460R7SA	60A	3Ø 480VAC	3P 4W	IP44	YES	NO	3.74	95	5.28	134	3.94	100	3.07	78	0.26	6
C460R12SA	60A	125/250VAC	3P 4W	IP44	YES	NO	3.74	95	5.28	134	3.94	100	3.07	78	0.26	6
C560R5SA	60A	3ØY 347/600V	4P 5W	IP44	YES	NO	3.74	95	5.28	134	3.94	100	3.07	78	0.26	6
C560R7SA	60A	3ØY 277/480V	4P 5W	IP44	YES	NO	3.74	95	5.28	134	3.94	100	3.07	78	0.26	6
C316R4SA	16A	100-130V	2P 3W	IP44	NO	YES	2.01	51	2.76	70	2.95	75	2.09	53	0.22	5
C332R4SA	32A	100-130V	2P 3W	IP44	NO	YES	2.64	67	4.25	108	2.95	75	2.48	63	0.22	5
C432R3SA	32A	380V 50Hz 440V 60Hz	3P 4W	IP44	NO	YES	2.60	66	4.13	105	2.95	75	2.09	53	0.22	5
C316R6SA	16A	220-240V~	2P 3W	IP44	NO	YES	2.01	51	2.76	70	2.95	75	2.09	53	0.22	5
C416R6SA	16A	380-415V~	3P 4W	IP44	NO	YES	2.01	51	2.76	70	2.95	75	2.09	53	0.22	5
C516R6SA	16A	200-415V~	4P 5W	IP44	NO	YES	2.64	67	2.76	70	2.95	75	2.48	63	0.22	5
C332R6SA	32A	220-240V~	2P 3W	IP44	NO	YES	2.60	66	4.25	108	2.95	75	2.56	63	0.22	5
C432R6SA	32A	380-415V~	3P 4W	IP44	NO	YES	2.83	72	4.13	105	2.95	75	2.48	68	0.22	5
C532R6SA	32A	200-415V~	4P 5W	IP44	NO	YES	2.83	72	4.29	109	2.95	75	2.48	63	0.22	5
C363R6SA	63A	220-240V~	2P 3W	IP44	NO	YES	3.74	95	5.28	134	3.94	100	3.17	78	0.26	6
C463R6SA	63A	380-415V~	3P 4W	IP44	NO	YES	3.74	95	5.28	134	3.94	100	3.17	78	0.26	6
C563R6SA	63A	200-415V~	4P 5W	IP44	NO	YES	3.74	95	5.28	134	3.94	100	3.17	78	0.26	6

LIST OF PARTS

DESCRIPTION	MATERIAL	FINISH
RECEPT. HOUSING	NYLON (60, 100A), PBT (20, 30A)	
LOCKING RING	PBT/PC	
CONTACT PINS	BRASS	
COVER	PBT/PC	
CONTACT CARRIER	NYLON GF	
GASKET	TPE	
ASSEMBLY SCREWS	ST. STEEL	
PIN		
TORSION SPRING	ST. STEEL	

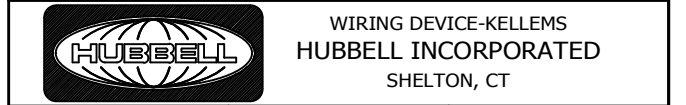
DIMENSION SHEET FOR CAT. NO. SEE TABLES ON SHEETS 3 & 4

1	NEW RELEASE PER DCN 24432 AD CAC		01/18/19
---	----------------------------------	--	----------

REV	DESCRIPTION	APP	DATE
-----	-------------	-----	------

THE DESIGN AND DIMENSIONS OF THE PRODUCT SHOWN ON THIS DRAWING ARE SUBJECT TO CHANGE WITHOUT NOTICE. DIMENSIONS ARE IN INCHES [mm].

TITLE  
**SPLASHPROOF RECEPTACLE 16A, 20A, 30A, 32A, 60A, 63A**



TOLERANCES UNLESS OTHERWISE SPECIFIED .XX = ± .01 .XXX = ± .005 ANGLE TOL. ±2'	DR. BY AD	SCALE
	CHK. BY CAC	DATE 12/5/18

**B**

**M-14035**

**1**

M-14035

1

## DUAL RATED CAT NO.S

CAT NO.	AMP	VOLTAGE	POLES & WIRES	IP RATING	REF. CAT NO.	DUAL AMP.	DUAL VOLTAGE	A		B		C		D		E	
								in.	mm	in.	mm	in.	mm	in.	mm	in.	mm
C320R6SA	20A	250VAC	2P 3W	IP44	C316R6SA	16A	220-240V~	2.01	51	2.9	74	2.95	75	2.3	58	0.20	5
C420R6SA	20A	380-415VAC	3P 4W	IP44	C416R6SA	16A	380-415V~	2.01	51	2.9	74	2.95	75	2.3	58	0.20	5
C420R9SA	20A	125/250VAC	3P 4W	IP44	C416R9SA	16A	125/250V~	2.01	51	2.9	74	2.95	75	2.3	58	0.20	5
C520R6SA	20A	200-415VAC	4P 5W	IP44	C516R6SA	16A	200-415V~	2.54	65	2.9	74	2.95	75	2.3	58	0.20	5
C520R9SA	20A	3ØY 120/208VAC	4P 5W	IP44	C516R9SA	16A	3ØY 120/208V~	2.54	65	2.9	74	2.95	75	2.3	58	0.20	5
C330R6SA	30A	250VAC	2P 3W	IP44	C332R6SA	32A	220-240V~	2.64	67	4.17	106	2.95	75	2.68	68	0.20	5
C430R6SA	30A	380-415VAC	3P 4W	IP44	C432R6SA	32A	380-415V~	2.60	66	4.17	106	2.95	75	2.68	68	0.20	5
C430R9SA	30A	125/250VAC	3P 4W	IP44	C432R9SA	32A	125/250V~	2.60	66	4.17	106	2.95	75	2.68	68	0.20	5
C530R6SA	30A	200-415VAC	4P 5W	IP44	C532R6SA	32A	200-415V~	2.83	72	4.17	106	2.95	75	2.68	68	0.20	5
C530R9SA	30A	3ØY 120/208VAC	4P 5W	IP44	C532R9SA	32A	3ØY 120/208V~	2.83	72	4.17	106	2.95	75	2.68	68	0.20	5
C360R6SA	60A	250VAC	2P 3W	IP44	C363R6SA	63A	220-240V~	3.74	95	5.29	134	3.94	100	3.12	79	0.24	6
C460R6SA	60A	380-415VAC	3P 4W	IP44	C463R6SA	63A	380-415V~	3.74	95	5.29	134	3.94	100	3.12	79	0.24	6
C460R9SA	60A	125/250VAC	3P 4W	IP44	C463R9SA	63A	125/250V~	3.74	95	5.29	134	3.94	100	3.12	79	0.24	6
C560R6SA	60A	200-415VAC	4P 5W	IP44	C563R6SA	63A	200-415V~	3.74	95	5.29	134	3.94	100	3.12	79	0.24	6
C560R9SA	60A	3ØY 120/208VAC	4P 5W	IP44	C563R9SA	63A	3ØY 120/208V~	3.74	95	5.29	134	3.94	100	3.12	79	0.24	6

## LIST OF PARTS

DESCRIPTION	MATERIAL	FINISH
RECEPT. HOUSING	NYLON(60, 100) / PBT/PC(20, 30A)	
LOCKING RING	PBT/PC	
CONTACT PINS	BRASS	
COVER	PBT/PC	
CONTACT CARRIER	NYLON GF	
GASKET	TPE	
ASSEMBLY SCREWS	ST. STEEL	
PIN		
TORSION SPRING	ST. STEEL	

1	NEW RELEASE PER DCN 24432 AD CAC		01/18/19
---	-------------------------------------	--	----------

REV	DESCRIPTION	APP	DATE

THE DESIGN AND DIMENSIONS OF THE PRODUCT SHOWN ON THIS DRAWING ARE SUBJECT TO CHANGE WITHOUT NOTICE. DIMENSIONS ARE IN INCHES [mm].

TITLE

SPLASHPROOF RECEPTACLE 16A, 20A, 30A, 32A, 60A, 63A



WIRING DEVICE-KELLEMS  
HUBBELL INCORPORATED  
SHELTON, CT

TOLERANCES UNLESS OTHERWISE SPECIFIED .XX = ± .01 .XXX = ± .005 ANGLE TOL. ±2'	DR. BY AD	SCALE
	CHK. BY CAC	DATE 12/5/18