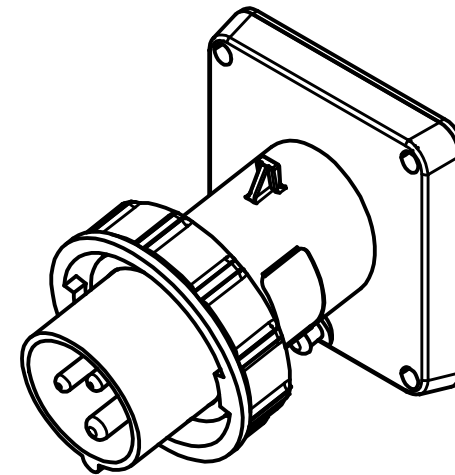
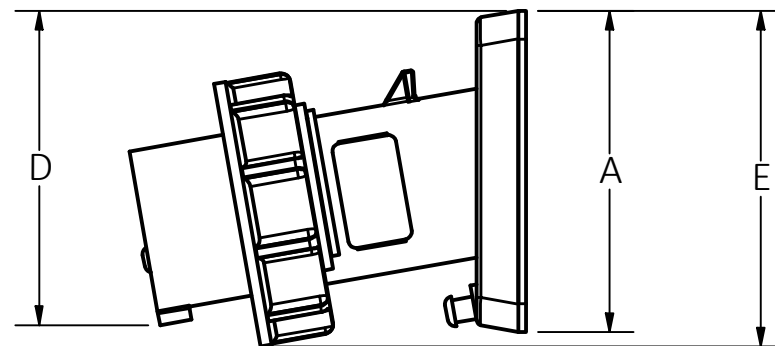
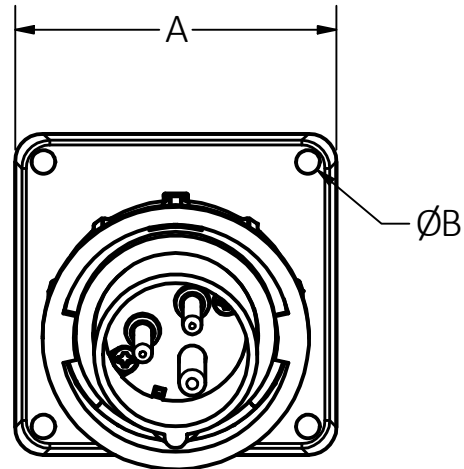
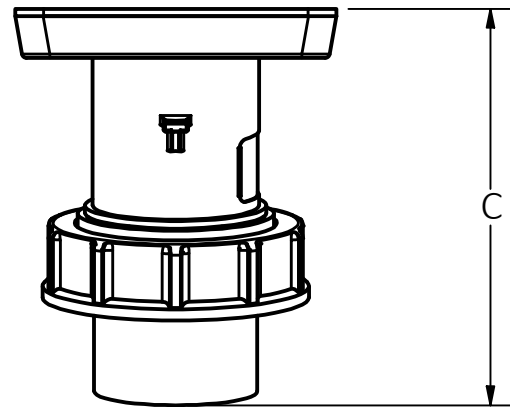


M-14036

2



16A/20A 5W WATERTIGHT  
INLET SHOWN

LIST OF PARTS

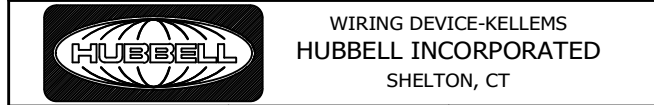
DESCRIPTION	MATERIAL	FINISH
INLET. HOUSING	PBT	
LOCKING RING	PBT/PC	
CONTACT PINS	BRASS	
COVER	PBT	
CONTACT CARRIER	NYLON GF	
GASKET	TPE	
ASSEMBLY SCREWS	ST. STEEL	
PIN		
TORSION SPRING	ST. STEEL	

DIMENSION SHEET FOR CAT. NO. SEE TABLES ON SHEETS 3 AND 4

2	UPDATED DIMENSIONS IN TABLES ON SHEETS 3 AND 4 DUE TO INACCURACIES PER EC 200110070227 MJV		12/12/19
1	NEW RELEASE PER DCN 24432 AD CAC		01/22/19
REV	DESCRIPTION	APP	DATE

THE DESIGN AND DIMENSIONS OF THE PRODUCT SHOWN ON THIS DRAWING ARE SUBJECT TO CHANGE WITHOUT NOTICE. DIMENSIONS ARE IN INCHES [mm].

TITLE  
WATERTIGHT INLET 16A, 20A, 30A, 32A, 60A, 63A, 100A, 125A



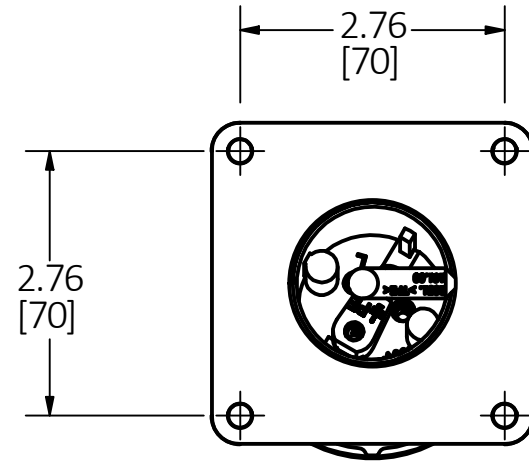
TOLERANCES UNLESS OTHERWISE SPECIFIED .XX = ± .01 .XXX = ± .005 ANGLE TOL. ±2'	DR. BY AD	SCALE 1/2
	CHK. BY CAC	DATE 12/12/18

NOTES:  
1. UL LISTED STANDARD 1682, CSA CERTIFIED C22.2 NO. 182.1 - 1988 AND COMPLY TO VDE AND CE REQUIREMENTS. COMPLIES WITH IEC 60309-1 AND IEC 60309-2 STANDARDS.  
ENVIRONMENTAL RATING: SEE TABLES ON SHEET 2 & 3  
2. DIMENSIONS ARE DISPLAYED ON SHEET 2 FOR cULus LISTED AND VDE RATED CAT NO.'S AND ON SHEET 3 FOR DUAL RATED CAT NO.'S.

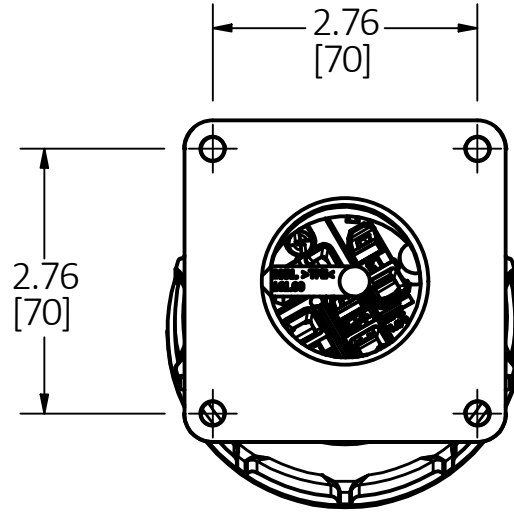
M-14036

2

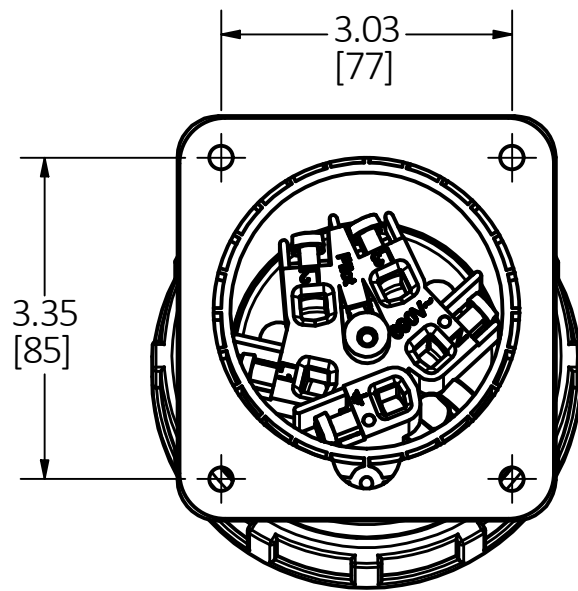
20A MOUNTING DIMENSIONS



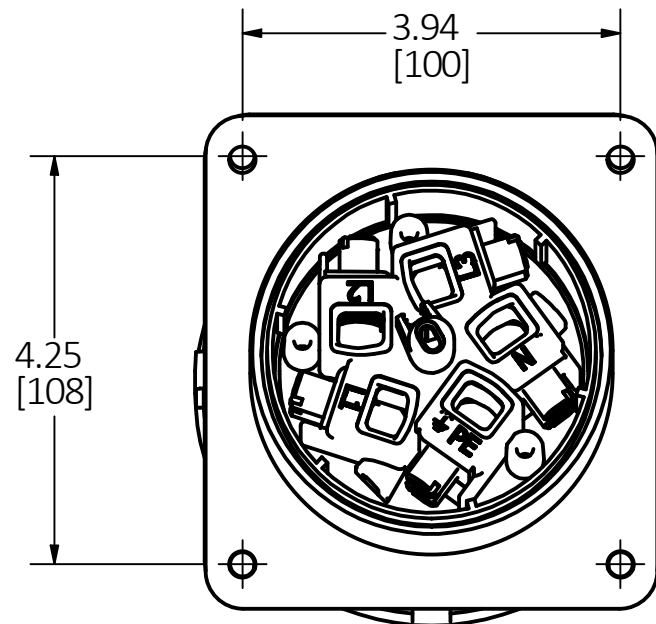
30A MOUNTING DIMENSIONS



60A MOUNTING DIMENSIONS



100A MOUNTING DIMENSIONS



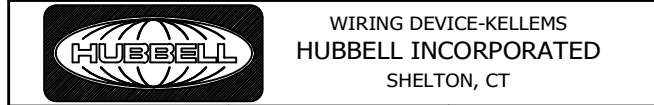
LIST OF PARTS

DESCRIPTION	MATERIAL	FINISH
INLET. HOUSING	PBT	
LOCKING RING	PBT/PC	
CONTACT PINS	BRASS	
COVER	PBT/PC	
CONTACT CARRIER	NYLON GF	
GASKET	TPE	
ASSEMBLY SCREWS	ST. STEEL	
PIN		
TORSION SPRING	ST. STEEL	

2	UPDATED DIMENSIONS IN TABLES ON SHEETS 3 AND 4 DUE TO INACCURACIES PER EC 200110070227 MJV		12/12/19
1	NEW RELEASE PER DCN 24432 AD CAC		01/22/19
REV	DESCRIPTION	APP	DATE

THE DESIGN AND DIMENSIONS OF THE PRODUCT SHOWN ON THIS DRAWING ARE SUBJECT TO CHANGE WITHOUT NOTICE. DIMENSIONS ARE IN INCHES [mm].

TITLE  
WATERTIGHT INLET 16A, 20A, 30A, 32A, 60A, 63A, 100A, 125A



TOLERANCES UNLESS OTHERWISE SPECIFIED .XX = ± .01 .XXX = ± .005 ANGLE TOL. ±2°	DR. BY AD CHK. BY CAC	SCALE 1/2 DATE 12/12/18
---	--------------------------	----------------------------

DIMENSION SHEET FOR CAT. NO. SEE TABLES ON SHEETS 3 & 4  
**B**  
 M-14036  
**2**

M-14036

2

UL LISTED AND VDE RATED CAT NO.S

Table with columns: CAT NO., AMP, VOLTAGE, POLES & WIRES, IP RATING, UL LISTED, VDE LISTED, A (in, mm), B (in, mm), C (in, mm), D (in, mm), E (in, mm). Rows include various model numbers like C320B4WA, C320B7WA, etc.

LIST OF PARTS

Table with columns: DESCRIPTION, MATERIAL, FINISH. Rows include: INLET HOUSING (PBT), LOCKING RING (PBT/PC), CONTACT PINS (BRASS), COVER (PBT/PC), CONTACT CARRIER (NYLON GF), GROMMET (TPE), ASSEMBLY SCREWS (ST. STEEL), PIN, TORSION SPRING (ST. STEEL).

DIMENSION SHEET FOR CAT. NO. SEE TABLES ON SHEETS 3 & 4

Revision table with columns: REV, DESCRIPTION, APP, DATE. Row 2: UPDATED DIMENSIONS IN TABLES ON SHEETS 3 AND 4 DUE TO INACCURACIES PER EC 200110070227 MIV, 12/12/19. Row 1: NEW RELEASE PER DCN 24432 AD CAC, 01/22/19.

THE DESIGN AND DIMENSIONS OF THE PRODUCT SHOWN ON THIS DRAWING ARE SUBJECT TO CHANGE WITHOUT NOTICE. DIMENSIONS ARE IN INCHES [mm].

TITLE  
WATERTIGHT INLET 16A, 20A, 30A, 32A, 60A, 63A, 100A, 125A

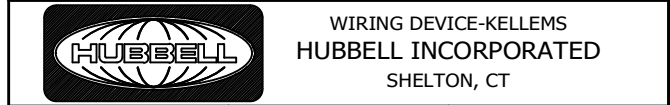


Table with columns: TOLERANCES UNLESS OTHERWISE SPECIFIED, DR. BY, SCALE, CHK. BY, DATE. Values: .XX = ± .01, .XXX = ± .005, ANGLE TOL. ±2, DR. BY AD, SCALE, CHK. BY CAC, DATE 12/12/18.

**B**

**M-14036**

**2**

M-14036

2

DUAL RATED CAT NO.S

CAT NO.	AMP	VOLTAGE	POLES & WIRES	IP RATING	REF. CAT NO.	DUAL AMP.	DUAL VOLTAGE	A		B		C		D		E	
								in.	mm	in.	mm	in.	mm	in.	mm	in.	mm
C320B6WA	20A	250VAC	2P 3W	IP67	C316B6WA	16A	220-240V~	3.35	85	0.25	6	4.06	103	3.31	84	3.50	89
C420B6WA	20A	380-415VAC	3P 4W	IP67	C416B6WA	16A	380-415V~	3.35	85	0.25	6	4.29	109	3.46	88	3.70	94
C420B9WA	20A	125/250VAC	3P 4W	IP67	C416B9WA	16A	125/250V~	3.35	85	0.25	6	4.29	109	3.46	88	3.70	94
C520B6WA	20A	200-415VAC	4P 5W	IP67	C516B6WA	16A	200-415V~	3.35	85	0.25	6	4.53	115	3.66	93	3.90	99
C520B9WA	20A	3ØY 120/208VAC	4P 5W	IP67	C516B9WA	16A	3ØY 120/208V~	3.35	85	0.25	6	4.53	115	3.66	93	3.90	99
C330B6WA	30A	250VAC	2P 3W	IP67	C332B6WA	32A	220-240V~	3.35	85	0.25	6	4.76	121	3.78	96	4.06	103
C430B6WA	30A	380-415VAC	3P 4W	IP67	C432B6WA	32A	380-415V~	3.35	85	0.25	6	4.72	120	3.78	96	4.06	103
C430B9WA	30A	125/250VAC	3P 4W	IP67	C432B9WA	32A	125/250V~	3.35	85	0.25	6	4.72	120	3.78	96	4.06	103
C530B6WA	30A	200-415VAC	4P 5W	IP67	C532B6WA	32A	200-415V~	3.35	85	0.25	6	5.28	134	4.17	106	4.45	113
C530B9WA	30A	3ØY 120/208VAC	4P 5W	IP67	C532B9WA	32A	3ØY 120/208V~	3.35	85	0.25	6	4.72	134	4.17	106	4.45	113
C360B6WA	60A	250VAC	2P 3W	IP67	C363B6WA	63A	220-240V~	3.94	100	0.26	7	5.28	155	4.65	118	4.92	125
C460B6WA	60A	380-415VAC	3P 4W	IP67	C463B6WA	63A	380-415V~	3.94	100	0.26	7	6.10	155	4.65	118	4.92	125
C460B9WA	60A	125/250VAC	3P 4W	IP67	C463B9WA	63A	125/250V~	3.94	100	0.26	7	6.10	155	4.65	118	4.92	125
C560B6WA	60A	200-415VAC	4P 5W	IP67	C563B6WA	63A	200-415V~	3.94	100	0.26	7	6.10	155	4.65	118	4.92	125
C560B9WA	60A	3ØY 120/208VAC	4P 5W	IP67	C563B9WA	63A	3ØY 120/208V~	3.94	100	0.26	7	6.10	155	4.65	118	4.92	125
C3100B6WA	100A	250VAC	2P 3W	IP67	C3125B6WA	125A	220-240V~	4.72	120	0.26	7	5.78	147	5.12	130	5.35	136
C4100B6WA	100A	380-415VAC	3P 4W	IP67	C4125B6WA	125A	380-415V~	4.72	120	0.26	7	5.91	150	5.12	130	5.35	136
C4100B9WA	100A	125/250VAC	3P 4W	IP67	C4125B9WA	125A	125/250V~	4.72	120	0.26	7	5.91	150	5.12	130	5.35	136
C5100B6WA	100A	200-415VAC	4P 5W	IP67	C5125B6WA	125A	200-415V~	4.72	120	0.26	7	5.81	148	5.12	130	5.35	136
C5100B9WA	100A	3ØY 120/208VAC	4P 5W	IP67	C5125B9WA	125A	3ØY 120/208V~	4.72	120	0.26	7	5.81	148	5.12	130	5.35	136

LIST OF PARTS

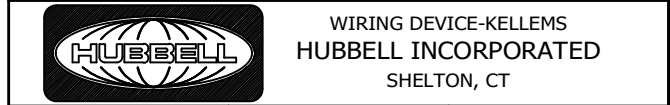
DESCRIPTION	MATERIAL	FINISH
INLET. HOUSING	PBT	
LOCKNUT	PBT/PC	
CONTACT PINS	BRASS	
COVER	PBT/PC	
CONTACT CARRIER	NYLON GF	
GROMMET	TPE	
ASSEMBLY SCREWS	ST. STEEL	
PIN		
TORSION SPRING	ST. STEEL	

DIMENSION SHEET FOR CAT. NO. SEE TABLES ON SHEETS 3 & 4

2	UPDATED DIMENSIONS IN TABLES ON SHEETS 3 AND 4 DUE TO INACCURACIES PER EC 200110070227 MJV		12/12/19
1	NEW RELEASE PER DCN 24432 AD CAC		01/22/19
REV	DESCRIPTION	APP	DATE

THE DESIGN AND DIMENSIONS OF THE PRODUCT SHOWN ON THIS DRAWING ARE SUBJECT TO CHANGE WITHOUT NOTICE. DIMENSIONS ARE IN INCHES [mm].

TITLE  
WATERTIGHT INLET 16A, 20A, 30A, 32A, 60A, 63A, 100A, 125A



TOLERANCES UNLESS OTHERWISE SPECIFIED .XX = ±.01 .XXX = ±.005 ANGLE TOL. ±2'	DR. BY AD	SCALE
	CHK. BY CAC	DATE 12/12/18

**B**  
M-14036

2