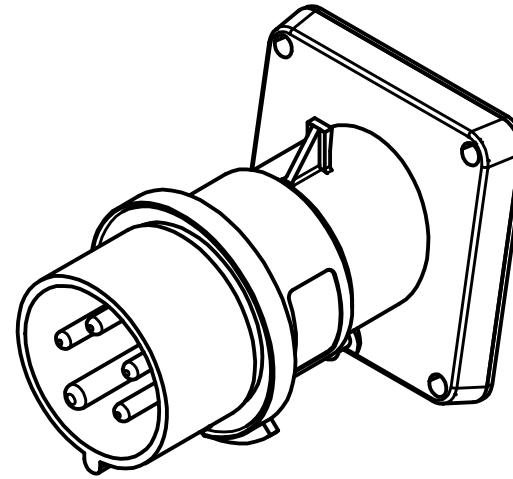
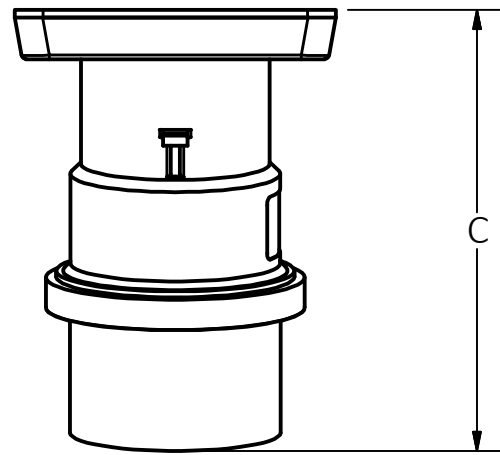
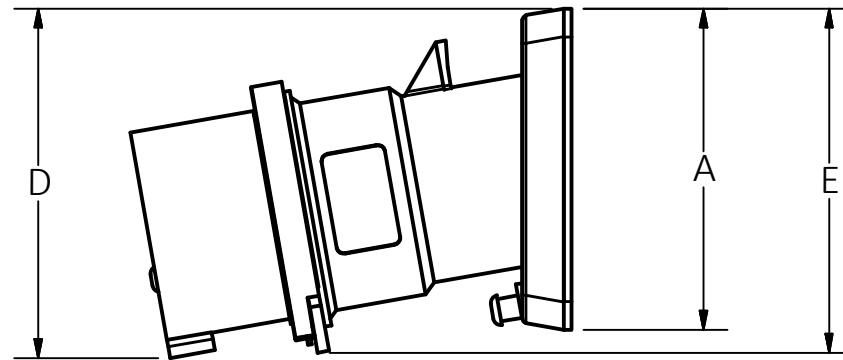
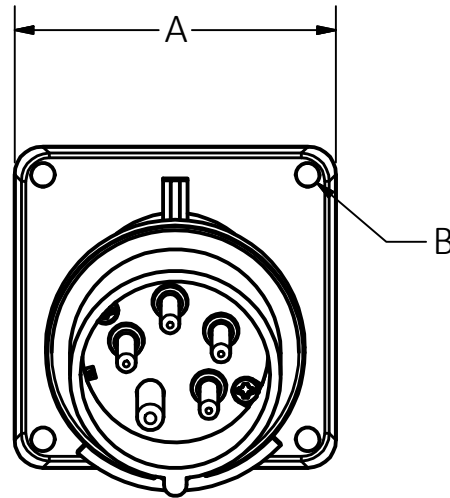


M-14037

1

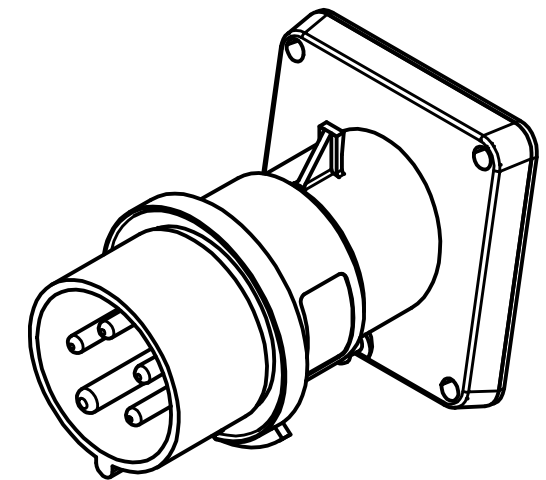


16A/20A 5W WATERTIGHT  
INLET SHOWN



LIST OF PARTS

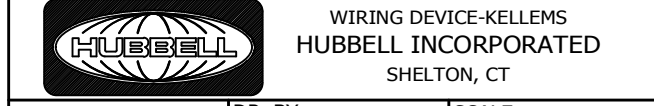
DESCRIPTION	MATERIAL	FINISH
INLET. HOUSING	PBT	
LOCKING RING	PBT/PC	
CONTACT PINS	BRASS	
COVER	PBT/PC	
CONTACT CARRIER	NYLON GF	
GASKET	TPE	
ASSEMBLY SCREWS	ST. STEEL	
PIN		
TORSION SPRING	ST. STEEL	



1	NEW RELEASE PER DCN 24432 AD CAC		01/24/19
REV	DESCRIPTION	APP	DATE

THE DESIGN AND DIMENSIONS OF THE  
PRODUCT SHOWN ON THIS DRAWING ARE  
SUBJECT TO CHANGE WITHOUT NOTICE.  
DIMENSIONS ARE IN INCHES [mm].

TITLE  
SPLASHPROOF INLET 16A, 20A, 30A,  
32A, 60A, 63A



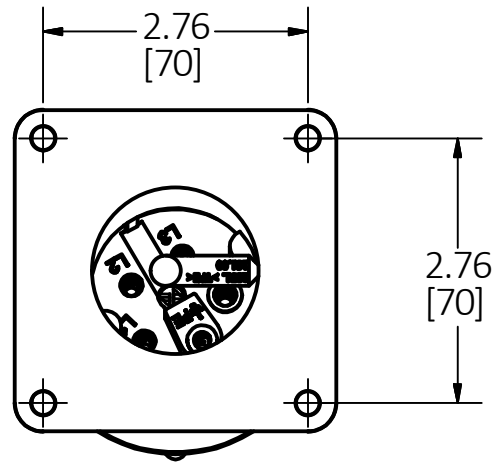
TOLERANCES UNLESS OTHERWISE SPECIFIED .XX = ± .01 .XXX = ± .005 ANGLE TOL. ±2°	DR. BY AD CHK. BY CAC	SCALE 1/2 DATE 12/12/18
---	--------------------------	----------------------------

NOTES:  
1. UL LISTED STANDARD 1682, CSA CERTIFIED C22.2 NO. 182.1 - 1988 AND COMPLY TO VDE AND CE REQUIREMENTS. COMPLIES WITH IEC 60309-1 AND IEC 60309-2 STANDARDS.  
ENVIRONMENTAL RATING: SEE TABLES ON SHEET 2 & 3  
2. DIMENSIONS ARE DISPLAYED ON SHEET 2 FOR cULus LISTED AND VDE RATED CAT NO.'S AND ON SHEET 3 FOR DUAL RATED CAT NO.'S.

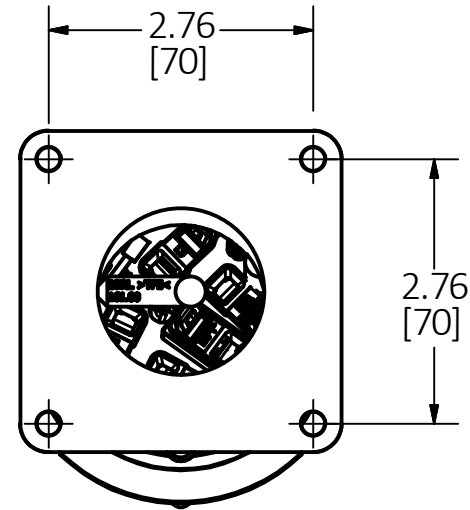
M-14037

1

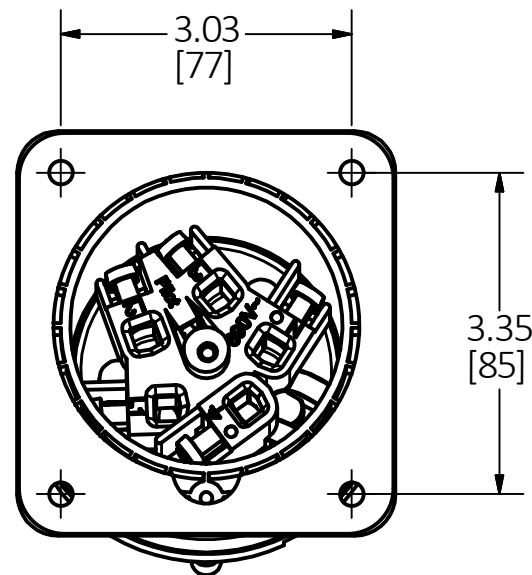
20A MOUNTING DIMENSIONS



30A MOUNTING DIMENSIONS



60A MOUNTING DIMENSIONS



LIST OF PARTS

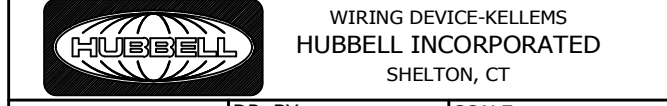
DESCRIPTION	MATERIAL	FINISH
INLET. HOUSING	PBT	
LOCKING RING	PBT/PC	
CONTACT PINS	BRASS	
COVER	PBT/PC	
CONTACT CARRIER	NYLON GF	
GASKET	TPE	
ASSEMBLY SCREWS	ST. STEEL	
PIN		
TORSION SPRING	ST. STEEL	

DIMENSION SHEET FOR CAT. NO. SEE TABLES ON SHEETS 3 & 4

1	NEW RELEASE PER DCN 24432 AD CAC		01/24/19
REV	DESCRIPTION	APP	DATE

THE DESIGN AND DIMENSIONS OF THE PRODUCT SHOWN ON THIS DRAWING ARE SUBJECT TO CHANGE WITHOUT NOTICE. DIMENSIONS ARE IN INCHES [mm].

TITLE  
SPLASHPROOF INLET 16A, 20A, 30A, 32A, 60A, 63A



TOLERANCES UNLESS OTHERWISE SPECIFIED .XX = ± .01 .XXX = ± .005 ANGLE TOL. ±2'	DR. BY AD	SCALE 1/2
	CHK. BY CAC	DATE 12/12/18

B

M-14037

1

M-14037

1

## UL LISTED AND VDE RATED CAT NO.S

CAT NO.	AMP	VOLTAGE	POLES & WIRES	IP RATING	UL LISTED	VDE LISTED	A		B		C		D		E	
							in.	mm	in.	mm	in.	mm	in.	mm	in.	mm
C320B4SA	20A	125VAC	2P 3W	IP44	YES	NO	3.35	85	0.25	6	4.06	103	3.31	84	3.23	82
C320B7SA	20A	480VAC	2P 3W	IP44	YES	NO	3.35	85	0.25	6	4.06	103	3.31	84	3.23	82
C420B5SA	20A	3Ø 600VAC	3P 4W	IP44	YES	NO	3.35	85	0.25	6	4.29	109	3.46	88	3.43	87
C420B7SA	20A	3Ø 480VAC	3P 4W	IP44	YES	NO	3.35	85	0.25	6	4.29	109	3.46	88	3.43	87
C420B12SA	20A	125/250VAC	3P 4W	IP44	YES	NO	3.35	85	0.25	6	4.29	109	3.46	88	3.43	87
C520B5SA	20A	3ØY 347/600V	4P 5W	IP44	YES	NO	3.35	85	0.25	6	4.53	115	3.66	93	3.62	92
C520B7SA	20A	3ØY 277/480V	4P 5W	IP44	YES	NO	3.35	85	0.25	6	4.53	115	3.66	93	3.62	92
C330B4SA	30A	125VAC	2P 3W	IP44	YES	NO	3.35	85	0.25	6	4.72	120	3.78	96	3.78	94
C330B7SA	30A	480VAC	2P 3W	IP44	YES	NO	3.35	85	0.25	6	4.72	120	3.78	96	3.70	94
C430B5SA	30A	3Ø 600VAC	3P 4W	IP44	YES	NO	3.35	85	0.25	6	4.72	120	3.78	96	3.70	94
C430B7SA	30A	3Ø 480VAC	3P 4W	IP44	YES	NO	3.35	85	0.25	6	4.72	120	3.78	96	3.70	94
C430B12SA	30A	125/250VAC	3P 4W	IP44	YES	NO	3.35	85	0.25	6	4.72	120	3.78	96	3.70	94
C530B5SA	30A	3ØY 347/600V	4P 5W	IP44	YES	NO	3.35	85	0.25	6	4.72	120	3.78	96	3.70	94
C530B7SA	30A	3ØY 277/480V	4P 5W	IP44	YES	NO	3.35	85	0.25	6	4.72	120	3.78	96	3.70	94
C360B4SA	60A	125VAC	2P 3W	IP44	YES	NO	3.94	100	0.26	7	6.10	155	4.65	118	4.53	115
C360B7SA	60A	480VAC	2P 3W	IP44	YES	NO	3.94	100	0.26	7	6.10	155	4.65	118	4.53	115
C460B5SA	60A	3Ø 600VAC	3P 4W	IP44	YES	NO	3.94	100	0.26	7	6.10	155	4.65	118	4.53	115
C460B7SA	60A	3Ø 480VAC	3P 4W	IP44	YES	NO	3.94	100	0.26	7	6.10	155	4.65	118	4.53	115
C460B12SA	60A	125/250VAC	3P 4W	IP44	YES	NO	3.94	100	0.26	7	6.10	155	4.65	118	4.53	115
C560B5SA	60A	3ØY 347/600V	4P 5W	IP44	YES	NO	3.94	100	0.26	7	6.10	155	4.65	118	4.53	115
C560B7SA	60A	3ØY 277/480V	4P 5W	IP44	YES	NO	3.94	100	0.26	7	6.10	155	4.65	118	4.53	115
C316B4SA	16A	100-130V	2P 3W	IP44	NO	YES	3.35	85	0.25	6	4.06	103	3.31	84	3.23	82
C332B4SA	32A	100-130V	2P 3W	IP44	NO	YES	3.35	85	0.25	6	4.72	120	3.78	96	3.78	94
C432B3SA	32A	380V 50Hz 440V 60Hz	3P 4W	IP44	NO	YES	3.35	85	0.25	6	4.72	120	3.78	96	3.70	94
C316B6SA	16A	220-240V~	2P 3W	IP44	NO	YES	3.35	85	0.25	6	4.06	103	3.31	84	3.23	82
C416B6SA	16A	380-415V~	3P 4W	IP44	NO	YES	3.35	85	0.25	6	4.29	109	3.46	88	3.43	87
C516B6SA	16A	200-415V~	4P 5W	IP44	NO	YES	3.35	85	0.25	6	4.53	115	3.66	93	3.62	92
C332B6SA	32A	220-240V~	2P 3W	IP44	NO	YES	3.35	85	0.25	6	4.72	120	3.78	96	3.78	94
C432B6SA	32A	380-415V~	3P 4W	IP44	NO	YES	3.35	85	0.25	6	4.72	120	3.78	96	3.70	94
C532B6SA	32A	200-415V~	4P 5W	IP44	NO	YES	3.35	85	0.25	6	4.72	120	3.78	96	3.70	94
C363B6SA	63A	220-240V~	2P 3W	IP44	NO	YES	3.94	100	0.26	7	6.10	155	4.65	118	4.53	115
C463B6SA	63A	380-415V~	3P 4W	IP44	NO	YES	3.94	100	0.26	7	6.10	155	4.65	118	4.53	115
C563B6SA	63A	200-415V~	4P 5W	IP44	NO	YES	3.94	100	0.26	7	6.10	155	4.65	118	4.53	115

## LIST OF PARTS

DESCRIPTION	MATERIAL	FINISH
INLET HOUSING	PBT	
LOCKING RING	PBT/PC	
CONTACT PINS	BRASS	
COVER	PBT/PC	
CONTACT CARRIER	NYLON GF	
GASKET	TPE	
ASSEMBLY SCREWS	ST. STEEL	
PIN		
TORSION SPRING	ST. STEEL	

1	NEW RELEASE		01/24/19
	PER DCN 24432 AD CAC		

REV	DESCRIPTION	APP	DATE
-----	-------------	-----	------

THE DESIGN AND DIMENSIONS OF THE PRODUCT SHOWN ON THIS DRAWING ARE SUBJECT TO CHANGE WITHOUT NOTICE. DIMENSIONS ARE IN INCHES [mm].

TITLE

SPLASHPROOF INLET 16A, 20A, 30A, 32A, 60A, 63A



WIRING DEVICE-KELLEMS  
HUBBELL INCORPORATED  
SHELTON, CT

TOLERANCES UNLESS OTHERWISE SPECIFIED  
.XX = ±.01  
.XXX = ±.005  
ANGLE TOL. ±2°

DR. BY AD  
CHK. BY CAC

SCALE  
DATE 12/12/18

DIMENSION SHEET FOR CAT. NO.

SEE TABLES ON SHEETS 3 &amp; 4

B

M-14037

1

M-14037

1

## DUAL RATED CAT NO.S

CAT NO.	AMP	VOLTAGE	POLES & WIRES	IP RATING	REF. CAT NO.	DUAL AMP.	DUAL VOLTAGE	A		B		C		D		E	
								in.	mm	in.	mm	in.	mm	in.	mm	in.	mm
C320B6SA	20A	250VAC	2P 3W	IP44	C316B6SA	16A	220-240V~	3.35	85	0.25	6	4.06	103	3.31	84	3.23	82
C420B6SA	20A	380-415VAC	3P 4W	IP44	C416B6SA	16A	380-415V~	3.35	85	0.25	6	4.29	109	3.46	88	3.43	87
C420B9SA	20A	125/250VAC	3P 4W	IP44	C416B9SA	16A	125/250V~	3.35	85	0.25	6	4.29	109	3.46	88	3.43	87
C520B6SA	20A	200-415VAC	4P 5W	IP44	C516B6SA	16A	200-415V~	3.35	85	0.25	6	4.53	115	3.66	93	3.62	92
C520B9SA	20A	3ØY 120/208VAC	4P 5W	IP44	C516B9SA	16A	3ØY 120/208V~	3.35	85	0.25	6	4.53	115	3.66	93	3.62	92
C330B6SA	30A	250VAC	2P 3W	IP44	C332B6SA	32A	220-240V~	3.35	85	0.25	6	4.72	120	3.78	96	3.70	94
C430B6SA	30A	380-415VAC	3P 4W	IP44	C432B6SA	32A	380-415V~	3.35	85	0.25	6	4.72	120	3.78	96	3.70	94
C430B9SA	30A	125/250VAC	3P 4W	IP44	C432B9SA	32A	125/250V~	3.35	85	0.25	6	4.72	120	3.78	96	3.70	94
C530B6SA	30A	200-415VAC	4P 5W	IP44	C532B6SA	32A	200-415V~	3.35	85	0.25	6	4.72	120	3.78	96	3.70	94
C530B9SA	30A	3ØY 120/208VAC	4P 5W	IP44	C532B9SA	32A	3ØY 120/208V~	3.35	85	0.25	6	4.72	120	3.78	96	3.70	94
C360B6SA	60A	250VAC	2P 3W	IP44	C363B6SA	63A	220-240V~	3.94	100	0.26	7	6.10	155	4.65	118	4.53	115
C460B6SA	60A	380-415VAC	3P 4W	IP44	C463B6SA	63A	380-415V~	3.94	100	0.26	7	6.10	155	4.65	118	4.53	115
C460B9SA	60A	125/250VAC	3P 4W	IP44	C463B9SA	63A	125/250V~	3.94	100	0.26	7	6.10	155	4.65	118	4.53	115
C560B6SA	60A	200-415VAC	4P 5W	IP44	C563B6SA	63A	200-415V~	3.94	100	0.26	7	6.10	155	4.65	118	4.53	115
C560B9SA	60A	3ØY 120/208VAC	4P 5W	IP44	C563B9SA	63A	3ØY 120/208V~	3.94	100	0.26	7	6.10	155	4.65	118	4.53	115

## LIST OF PARTS

DESCRIPTION	MATERIAL	FINISH
INLET. HOUSING	PBT	
LOCKING RING	PBT/PC	
CONTACT PINS	BRASS	
COVER	PBT/PC	
CONTACT CARRIER	NYLON GF	
GASKET	TPE	
ASSEMBLY SCREWS	ST. STEEL	
PIN		
TORSION SPRING	ST. STEEL	

DIMENSION SHEET FOR CAT. NO.  
SEE TABLES ON SHEETS 3 & 4

1	NEW RELEASE PER DCN 24432 AD CAC		01/24/19
REV	DESCRIPTION	APP	DATE

THE DESIGN AND DIMENSIONS OF THE  
PRODUCT SHOWN ON THIS DRAWING ARE  
SUBJECT TO CHANGE WITHOUT NOTICE.  
DIMENSIONS ARE IN INCHES [mm].

## TITLE

SPLASHPROOF INLET 16A, 20A, 30A,  
32A, 60A, 63A



WIRING DEVICE-KELLEMS  
HUBBELL INCORPORATED  
SHELTON, CT

TOLERANCES UNLESS  
OTHERWISE SPECIFIED  
.XX = ± .01  
.XXX = ± .005  
ANGLE TOL. ±2°

DR. BY	AD	SCALE
CHK. BY	CAC	DATE 12/12/18

B

M-14037

1