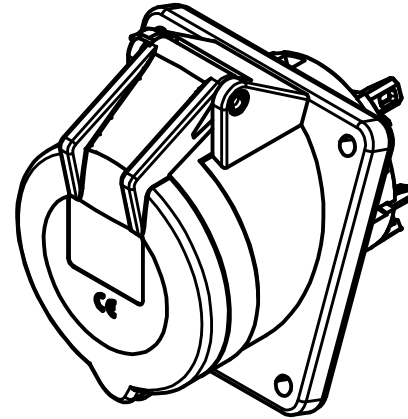
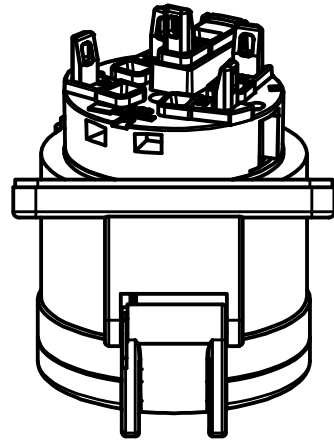
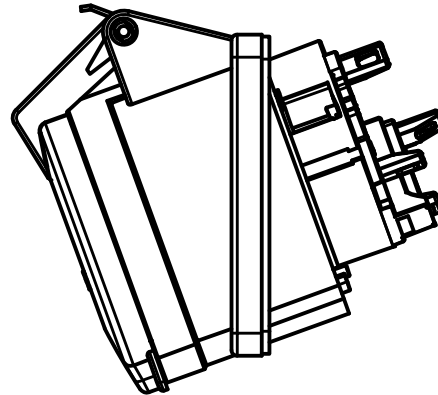
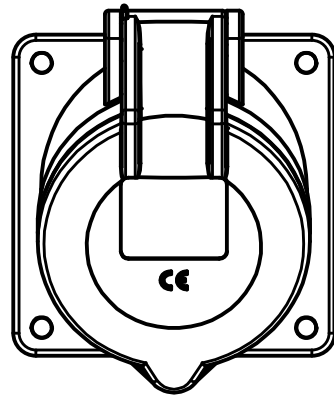


M-14042

1



30A/32A 5W SPLASHPROOF ANGLED RECEPTACLE SHOWN



LIST OF PARTS

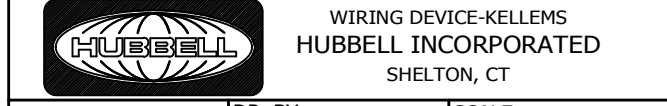
DESCRIPTION	MATERIAL	FINISH
RECEPT. HOUSING	PBT	
CONTACT PINS	BRASS	
COVER	PBT/PC	
CONTACT CARRIER	NYLON GF	
GASKET	TPE	
ASSEMBLY SCREWS	ST. STEEL	
PIN		
TORSION SPRING	ST. STEEL	

DIMENSION SHEET FOR CAT. NO. SEE TABLES ON SHEETS 3 & 4

1	NEW RELEASE PER DCN 24432 AD CAC		01/28/19
REV	DESCRIPTION	APP	DATE

THE DESIGN AND DIMENSIONS OF THE PRODUCT SHOWN ON THIS DRAWING ARE SUBJECT TO CHANGE WITHOUT NOTICE. DIMENSIONS ARE IN INCHES [mm].

TITLE
SPLASHPROOF ANGLED RECEPTACLE
16A, 20A, 30A, 32A, 60A, 63A



TOLERANCES UNLESS OTHERWISE SPECIFIED .XX = ± .01 .XXX = ± .005 ANGLE TOL. ±2'	DR. BY AD CHK. BY CAC	SCALE 1/2 DATE 12/17/18
---	--------------------------	----------------------------

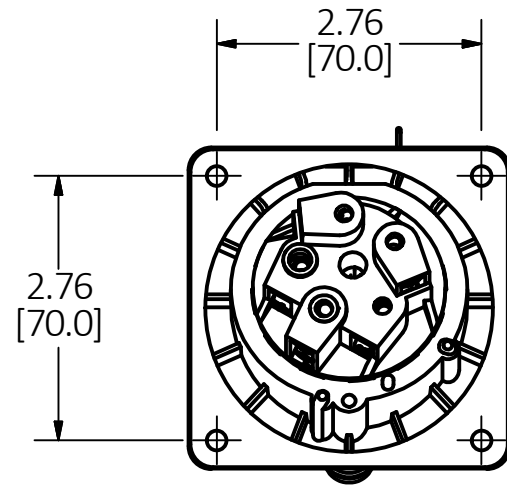
NOTES:
1. UL LISTED STANDARD 1682, CSA CERTIFIED C22.2 NO. 182.1 - 1988 AND COMPLY TO VDE AND CE REQUIREMENTS. COMPLIES WITH IEC 60309-1 AND IEC 60309-2 STANDARDS.
ENVIRONMENTAL RATING: SEE TABLES ON SHEET 2 & 3
2. DIMENSIONS ARE DISPLAYED ON SHEET 2 FOR cULus LISTED AND VDE RATED CAT NO.'S AND ON SHEET 3 FOR DUAL RATED CAT NO.'S.

B M-14042 **1**

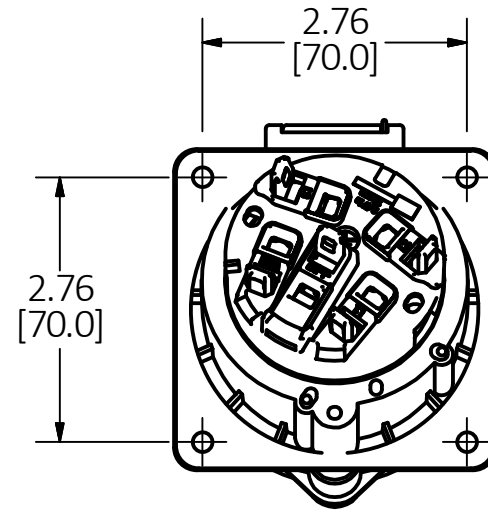
M-14042

1

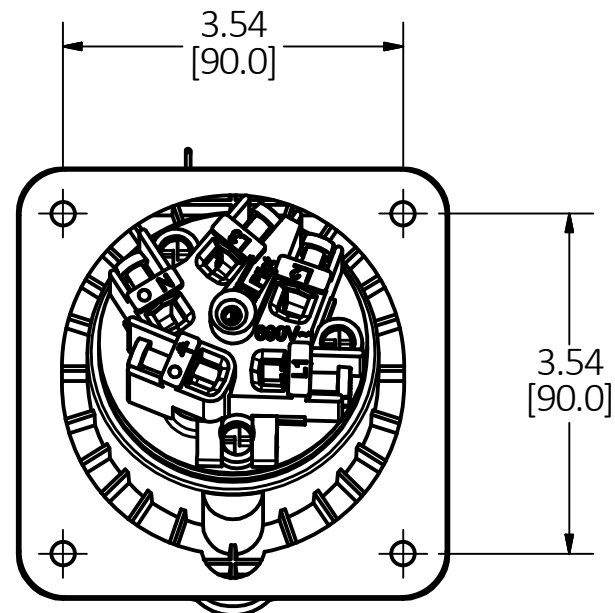
20A MOUNTING DIMENSIONS



30A MOUNTING DIMENSIONS



60A MOUNTING DIMENSIONS



LIST OF PARTS

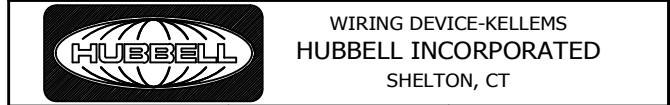
DESCRIPTION	MATERIAL	FINISH
RECEPT. HOUSING	PBT	
CONTACT PINS	BRASS	
COVER	PBT/PC	
CONTACT CARRIER	NYLON GF	
GROMMET	TPE	
ASSEMBLY SCREWS	ST. STEEL	
PIN		
TORSION SPRING	ST. STEEL	

DIMENSION SHEET FOR CAT. NO. SEE TABLES ON SHEETS 3 & 4

1	NEW RELEASE PER DCN 24432 AD CAC		01/28/19
REV	DESCRIPTION	APP	DATE

THE DESIGN AND DIMENSIONS OF THE PRODUCT SHOWN ON THIS DRAWING ARE SUBJECT TO CHANGE WITHOUT NOTICE. DIMENSIONS ARE IN INCHES [mm].

TITLE
SPLASHPROOF ANGLED RECEPTACLE
16A, 20A, 30A, 32A, 60A, 63A



TOLERANCES UNLESS OTHERWISE SPECIFIED .XX = ± .01 .XXX = ± .005 ANGLE TOL. ±2'	DR. BY AD CHK. BY CAC	SCALE 1/2 DATE 12/12/18
---	--------------------------	----------------------------

B

M-14042

1

