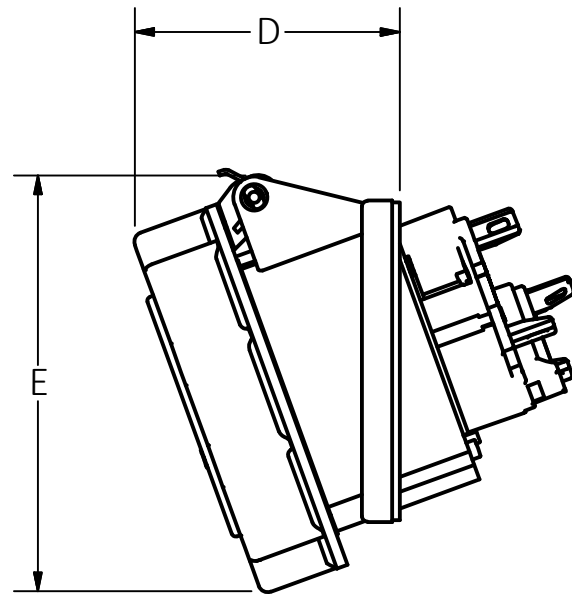
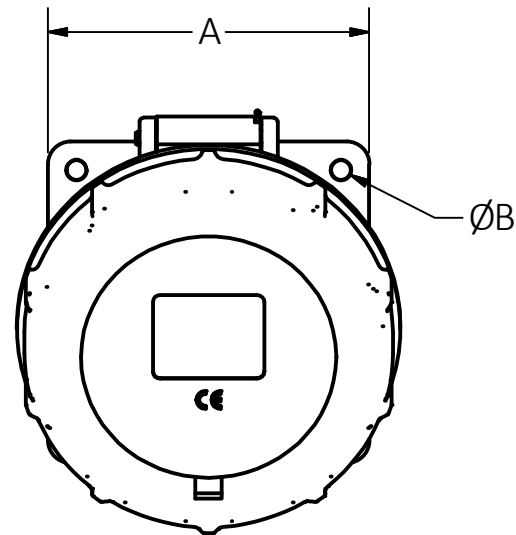
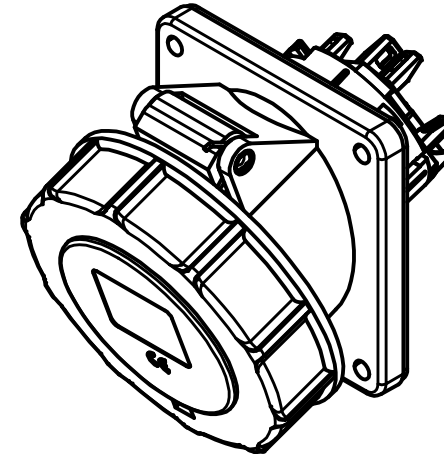
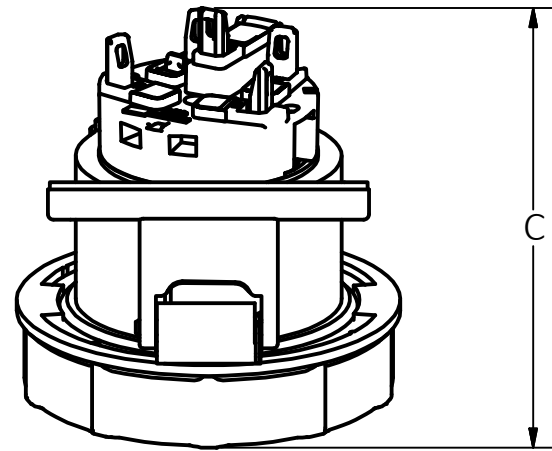


M-14043

1



30A/32A 5W WATERTIGHT
ANGLED RECEPTACLE SHOWN

LIST OF PARTS

DESCRIPTION	MATERIAL	FINISH
RECEPT. HOUSING	PBT	
LOCKING RING	PBT/PC	
CONTACT PINS	BRASS	
COVER	PBT/PC	
CONTACT CARRIER	NYLON GF	
GASKET	TPE	
ASSEMBLY SCREWS	ST. STEEL	
PIN		
TORSION SPRING	ST. STEEL	

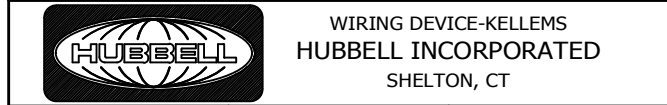
DIMENSION SHEET FOR CAT. NO. SEE TABLES ON SHEETS 3 & 4

NOTES:
 1. UL LISTED STANDARD 1682, CSA CERTIFIED C22.2 NO. 182.1 - 1988 AND COMPLY TO VDE AND CE REQUIREMENTS. COMPLIES WITH IEC 60309-1 AND IEC 60309-2 STANDARDS.
 ENVIRONMENTAL RATING: SEE TABLES ON SHEET 2 & 3
 2. DIMENSIONS ARE DISPLAYED ON SHEET 2 FOR cULus LISTED AND VDE RATED CAT NO.'S AND ON SHEET 3 FOR DUAL RATED CAT NO.'S.

1	NEW RELEASE PER DCN 24432 AD CAC		01/28/19
REV	DESCRIPTION	APP	DATE

THE DESIGN AND DIMENSIONS OF THE PRODUCT SHOWN ON THIS DRAWING ARE SUBJECT TO CHANGE WITHOUT NOTICE. DIMENSIONS ARE IN INCHES [mm].

TITLE
 WATERTIGHT ANGLED RECEPT. 16A, 20A, 30A, 32A, 60A, 63A, 100A, 125A



TOLERANCES UNLESS OTHERWISE SPECIFIED .XX = ± .01 .XXX = ± .005 ANGLE TOL. ±2'	DR. BY AD CHK. BY CAC	SCALE 1/2 DATE 12/20/18
---	--------------------------	----------------------------

B

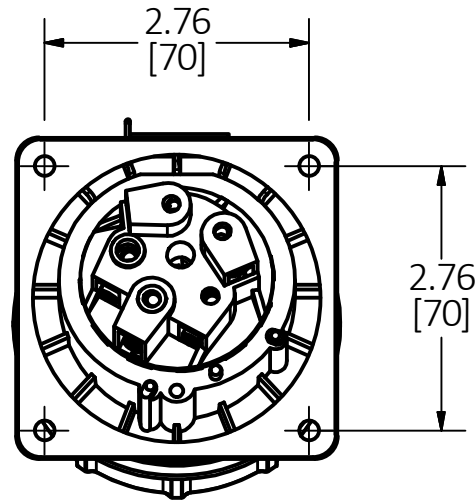
M-14043

1

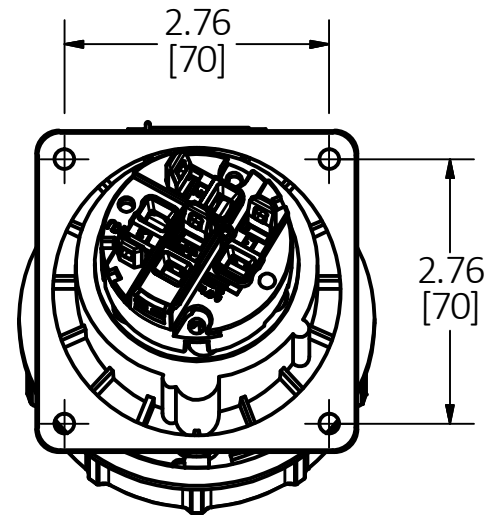
M-14043

1

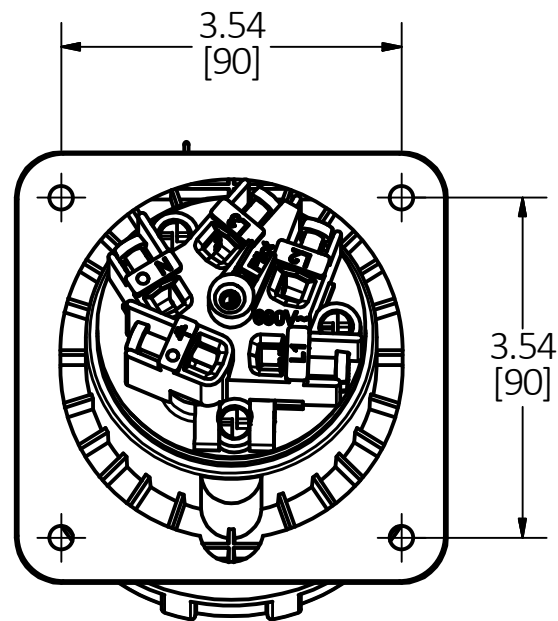
20A MOUNTING DIMENSIONS



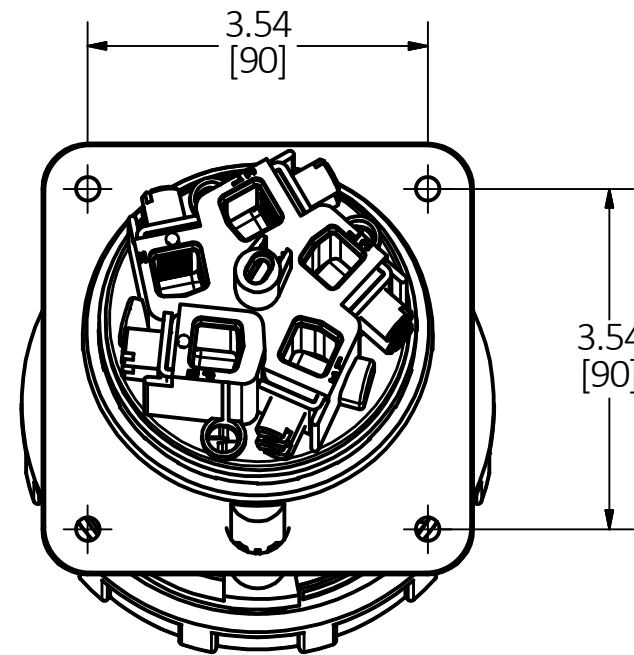
30A MOUNTING DIMENSIONS



60A MOUNTING DIMENSIONS



100A MOUNTING DIMENSIONS



LIST OF PARTS

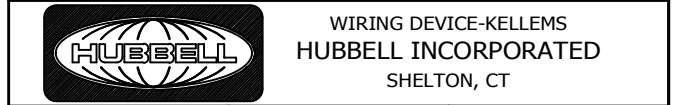
DESCRIPTION	MATERIAL	FINISH
RECEPT. HOUSING	PBT	
LOCKING RING	PBT/PC	
CONTACT PINS	BRASS	
COVER	PBT/PC	
CONTACT CARRIER	NYLON GF	
GASKET	TPE	
ASSEMBLY SCREWS	ST. STEEL	
PIN		
TORSION SPRING	ST. STEEL	

DIMENSION SHEET FOR CAT. NO. SEE TABLES ON SHEETS 3 & 4

1	NEW RELEASE PER DCN 24432 AD CAC		01/28/19
REV	DESCRIPTION	APP	DATE

THE DESIGN AND DIMENSIONS OF THE PRODUCT SHOWN ON THIS DRAWING ARE SUBJECT TO CHANGE WITHOUT NOTICE. DIMENSIONS ARE IN INCHES [mm].

TITLE
WATERTIGHT ANGLED RECEPT. 16A, 20A, 30A, 32A, 60A, 63A, 100A, 125A



TOLERANCES UNLESS OTHERWISE SPECIFIED .XX = ±.01 .XXX = ±.005 ANGLE TOL. ±2'	DR. BY AD	SCALE 1/2
	CHK. BY CAC	DATE 12/20/18

B

M-14043

1

M-14043

1

UL LISTED AND VDE RATED CAT NO.S

CAT NO.	AMP	VOLTAGE	POLES & WIRES	IP RATING	UL LISTED	VDE LISTED	A		B		C		D		E	
							in.	mm	in.	mm	in.	mm	in.	mm	in.	mm
C320AR4WA	20A	125VAC	1P	IP67	YES	NO	2.44	62.0	0.22	6.0	3.23	82.0	2.09	53.0	3.19	81.0
C320AR7WA	20A	480VAC	2P	IP67	YES	NO	2.44	62.0	0.22	6.0	3.23	82.0	2.09	53.0	3.19	86.0
C420AR5WA	20A	3∅ 600VAC	3P	IP67	YES	NO	3.62	92.0	0.22	6.0	3.27	83.0	2.20	56.0	3.43	87.0
C420AR7WA	20A	3∅ 480VAC	3P	IP67	YES	NO	3.62	92.0	0.22	6.0	3.27	83.0	2.20	56.0	3.43	87.0
C420AR12WA	20A	125/250VAC	2P	IP67	YES	NO	3.62	92.0	0.22	6.0	3.27	83.0	2.20	56.0	3.43	87.0
C520AR5WA	20A	3∅Y 347/600V	3P	IP67	YES	NO	3.35	85.0	0.22	6.0	3.46	88.0	2.32	59.0	3.82	97.0
C520AR7WA	20A	3∅Y 277/480V	3P	IP67	YES	NO	3.35	85.0	0.22	6.0	3.46	88.0	2.32	59.0	3.82	97.0
C330AR4WA	30A	125VAC	1P	IP67	YES	NO	3.35	85.0	0.22	6.0	4.45	113.0	2.72	69.0	4.02	102.0
C330AR7WA	30A	480VAC	2P	IP67	YES	NO	3.35	85.0	0.22	6.0	4.45	113.0	2.72	69.0	4.02	102.0
C430AR5WA	30A	3∅ 600VAC	3P	IP67	YES	NO	3.35	85.0	0.22	6.0	4.76	121.0	2.72	69.0	4.02	102.0
C430AR7WA	30A	3∅ 480VAC	3P	IP67	YES	NO	3.35	85.0	0.22	6.0	4.76	121.0	2.72	69.0	4.02	102.0
C430AR12WA	30A	125/250VAC	2P	IP67	YES	NO	3.35	85.0	0.22	6.0	4.76	121.0	2.72	69.0	4.02	102.0
C530AR5WA	30A	3∅Y 347/600V	3P	IP67	YES	NO	3.35	85.0	0.22	6.0	4.61	117.0	2.72	69.0	4.37	111.0
C530AR7WA	30A	3∅Y 277/480V	3P	IP67	YES	NO	3.35	85.0	0.22	6.0	4.61	117.0	2.72	69.0	4.37	111.0
C360AR4WA	60A	125VAC	1P	IP67	YES	NO	4.49	114.0	0.26	7.0	5.63	143.0	3.15	80.0	4.69	119.0
C360AR7WA	60A	480VAC	2P	IP67	YES	NO	4.49	114.0	0.26	7.0	5.63	143.0	3.15	80.0	4.69	119.0
C460AR5WA	60A	3∅ 600VAC	3P	IP67	YES	NO	4.49	114.0	0.26	7.0	5.67	144.0	3.15	80.0	4.69	119.0
C460AR7WA	60A	3∅ 480VAC	3P	IP67	YES	NO	4.49	114.0	0.26	7.0	5.67	144.0	3.15	80.0	4.69	119.0
C460AR12WA	60A	125/250VAC	2P	IP67	YES	NO	4.49	114.0	0.26	7.0	5.67	144.0	3.15	80.0	4.69	119.0
C560AR5WA	60A	3∅Y 347/600V	3P	IP67	YES	NO	4.49	114.0	0.26	7.0	5.75	146.0	3.27	83.0	4.88	124.0
C560AR7WA	60A	3∅Y 277/480V	3P	IP67	YES	NO	4.49	114.0	0.26	7.0	5.75	146.0	3.27	83.0	4.88	124.0
C3100AR7WA	100A	480VAC	2P	IP67	YES	NO	4.49	114.0	0.26	7.0	6.69	170.0	3.50	89.0	5.28	134.0
C4100AR5WA	100A	3∅ 600VAC	2P	IP67	YES	NO	4.49	114.0	0.26	7.0	6.81	173.0	3.50	89.0	5.28	134.0
C4100AR7WA	100A	3∅ 480VAC	3P	IP67	YES	NO	4.49	114.0	0.26	7.0	6.81	173.0	3.50	89.0	5.28	134.0
C4100AR12WA	100A	125/250VAC	2P	IP67	YES	NO	4.49	114.0	0.26	7.0	6.81	173.0	3.50	89.0	5.28	134.0
C5100AR5WA	100A	3∅Y 347/600V	3P	IP67	YES	NO	4.49	114.0	0.26	7.0	6.89	175.0	3.66	93.0	5.31	134.0
C5100AR7WA	100A	3∅Y 277/480V	3P	IP67	YES	NO	4.49	114.0	0.26	7.0	6.89	175.0	3.66	93.0	5.31	134.0
C316AR4WA	16A	100-130V	1P	IP67	NO	YES	2.44	62.0	0.22	6.0	3.23	82.0	2.09	53.0	3.19	81.0
C332AR4WA	32A	100-130V	1P	IP67	NO	YES	3.35	85.0	0.22	6.0	4.45	113.0	2.72	69.0	4.02	102.0
C432AR3WA	32A	380V 50Hz 440V 60Hz	3P	IP67	NO	YES	3.35	85.0	0.22	6.0	4.76	121.0	2.72	69.0	4.02	102.0
C316AR6WA	16A	220-240V~	2P	IP67	NO	YES	2.44	62.0	0.22	6.0	3.23	82.0	2.09	53.0	3.19	81.0
C416AR6WA	16A	380-415V~	2P	IP67	NO	YES	3.62	92.0	0.22	6.0	3.27	83.0	2.20	56.0	3.43	87.0
C516AR6WA	16A	200-415V~	4P	IP67	NO	YES	3.35	85.0	0.22	6.0	3.46	88.0	2.32	59.0	3.82	97.0
C332AR6WA	32A	220-240V~	2P	IP67	NO	YES	3.35	85.0	0.22	6.0	4.45	113.0	2.72	69.0	4.02	102.0
C432AR6WA	32A	380-415V~	3P	IP67	NO	YES	3.35	85.0	0.22	6.0	4.76	121.0	2.72	69.0	4.02	102.0
C532AR6WA	32A	200-415V~	4P	IP67	NO	YES	3.35	85.0	0.22	6.0	4.61	117.0	2.72	69.0	4.37	111.0
C363AR6WA	63A	220-240V~	2P	IP67	NO	YES	4.49	114.0	0.26	7.0	5.63	143.0	3.15	80.0	4.69	119.0
C463AR6WA	63A	380-415V~	3P	IP67	NO	YES	4.49	114.0	0.26	7.0	5.67	144.0	3.15	80.0	4.69	119.0
C563AR6WA	63A	200-415V~	4P	IP67	NO	YES	4.49	114.0	0.26	7.0	5.75	146.0	3.27	83.0	4.88	124.0
C3125AR6WA	125A	220-240V~	2P	IP67	NO	YES	4.49	114.0	0.26	7.0	6.69	170.0	3.50	89.0	5.28	134.0
C4125AR6WA	125A	380-415V~	3P	IP67	NO	YES	4.49	114.0	0.26	7.0	6.81	173.0	3.50	89.0	5.28	134.0
C5125AR6WA	125A	200-415V~	4P	IP67	NO	YES	4.49	114.0	0.26	7.0	6.89	175.0	3.66	93.0	5.31	135.0

LIST OF PARTS

DESCRIPTION	MATERIAL	FINISH
RECEPT. HOUSING	PBT	
LOCKING RING	PBT/PC	
CONTACT PINS	BRASS	
COVER	PBT/PC	
CONTACT CARRIER	NYLON GF	
GASKET	TPE	
ASSEMBLY SCREWS	ST. STEEL	
PIN		
TORSION SPRING	ST. STEEL	

DIMENSION SHEET FOR CAT. NO.
SEE TABLES ON SHEETS 3 & 4

1	NEW RELEASE		01/28/19
	PER DCN 24432 AD CAC		
REV	DESCRIPTION	APP	DATE

THE DESIGN AND DIMENSIONS OF THE PRODUCT SHOWN ON THIS DRAWING ARE SUBJECT TO CHANGE WITHOUT NOTICE. DIMENSIONS ARE IN INCHES [mm].

TITLE

WATERTIGHT ANGLED RECEPT. 16A, 20A, 30A, 32A, 60A, 63A, 100A, 125A



WIRING DEVICE-KELLEMS
HUBBELL INCORPORATED
SHELTON, CT

TOLERANCES UNLESS OTHERWISE SPECIFIED .XX = ± .01 .XXX = ± .005 ANGLE TOL. ±2'	DR. BY AD	SCALE
	CHK. BY CAC	DATE 12/20/18

B

M-14043

1

M-14043

1

DUAL RATED CAT NO.S

CAT NO.	AMP	VOLTAGE	POLES & WIRES	IP RATING	REF. CAT NO.	DUAL AMP.	DUAL VOLTAGE	A		B		C		D		E	
								in.	mm	in.	mm	in.	mm	in.	mm	in.	mm
C320AR6WA	20A	250VAC	2P	IP67	C316AR6WA	16A	220-240V~	2.44	62.0	0.22	6.0	3.23	82.0	2.09	53.0	3.19	81.0
C420AR6WA	20A	380-415VAC	3P	IP67	C416AR6WA	16A	380-415V~	3.62	92.0	0.22	6.0	3.27	83.0	2.20	56.0	3.43	87.0
C420AR9WA	20A	125/250VAC	2P	IP67	C416AR9WA	16A	125/250V~	3.62	92.0	0.22	6.0	3.27	83.0	2.20	56.0	3.43	87.0
C520AR6WA	20A	200-415VAC	3P	IP67	C516AR6WA	16A	200-415V~	3.35	85.0	0.22	6.0	3.46	88.0	2.32	59.0	3.82	97.0
C520AR9WA	20A	3ØY 120/208VAC	3P	IP67	C516AR9WA	16A	3ØY 120/208V~	3.35	85.0	0.22	6.0	3.46	88.0	2.32	59.0	3.79	96.0
C330AR6WA	30A	250VAC	2P	IP67	C33AR6WA	32A	220-240V~	3.35	85.0	0.22	6.0	4.45	113.0	2.72	69.0	4.02	102.0
C430AR6WA	30A	380-415VAC	3P	IP67	C432AR6WA	32A	380-415V~	3.35	85.0	0.22	6.0	4.76	121.0	2.72	69.0	4.02	102.0
C430AR9WA	30A	125/250VAC	2P	IP67	C432AR9WA	32A	125/250V~	3.35	85.0	0.22	6.0	4.76	121.0	2.72	69.0	4.02	102.0
C530AR6WA	30A	200-415VAC	4P	IP67	C532AR6WA	32A	200-415V~	3.35	85.0	0.22	6.0	4.61	117.0	2.72	69.0	4.37	111.0
C530AR9WA	30A	3ØY 120/208VAC	4P	IP67	C532AR9WA	32A	3ØY 120/208V~	3.35	85.0	0.22	6.0	4.61	117.0	2.72	69.0	4.37	111.0
C360AR6WA	60A	250VAC	2P	IP67	C363AR6WA	63A	220-240V~	4.49	114.0	0.26	7.0	5.63	143.0	3.15	80.0	4.69	119.0
C460AR6WA	60A	380-415VAC	3P	IP67	C463AR6WA	63A	380-415V~	4.49	114.0	0.26	7.0	5.67	144.0	3.15	80.0	4.69	119.0
C460AR9WA	60A	125/250VAC	2P	IP67	C463AR9WA	63A	125/250V~	4.49	114.0	0.26	7.0	5.67	144.0	3.15	80.0	4.69	119.0
C560AR6WA	60A	200-415VAC	4P	IP67	C563AR6WA	63A	200-415V~	4.49	114.0	0.26	7.0	5.75	146.0	3.27	83.0	4.88	124.0
C560AR9WA	60A	3ØY 120/208VAC	4P	IP67	C563AR9WA	63A	3ØY 120/208V~	4.49	114.0	0.26	7.0	5.75	146.0	3.27	83.0	4.88	124.0
C3100AR6WA	100A	250VAC	2P	IP67	C3125AR6WA	125A	220-240V~	4.49	114.0	0.26	7.0	6.69	170.0	3.50	89.0	5.28	134.0
C4100AR6WA	100A	380-415VAC	3P	IP67	C4125AR6WA	125A	380-415V~	4.49	114.0	0.26	7.0	6.81	173.0	3.50	89.0	5.28	134.0
C4100AR9WA	100A	125/250VAC	2P	IP67	C4125AR9WA	125A	125/250V~	4.49	114.0	0.26	7.0	6.81	173.0	3.50	89.0	5.28	134.0
C5100AR6WA	100A	200-415VAC	4P	IP67	C5125AR6WA	125A	200-415V~	4.49	114.0	0.26	7.0	6.89	175.0	3.66	93.0	5.31	135.0
C5100AR9WA	100A	3ØY 120/208VAC	4P	IP67	C5125AR9WA	125A	3ØY 120/208V~	4.49	114.0	0.26	7.0	6.89	175.0	3.66	93.0	5.31	135.0

LIST OF PARTS

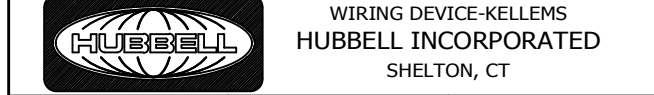
DESCRIPTION	MATERIAL	FINISH
RECEPT. HOUSING	PBT	
LOCKING RING	PBT/PC	
CONTACT PINS	BRASS	
COVER	PBT/PC	
CONTACT CARRIER	NYLON GF	
GASKET	TPE	
ASSEMBLY SCREWS	ST. STEEL	
PIN		
TORSION SPRING	ST. STEEL	

DIMENSION SHEET FOR CAT. NO. SEE TABLES ON SHEETS 3 & 4

1	NEW RELEASE PER DCN 24432 AD CAC		01/28/19
REV	DESCRIPTION	APP	DATE

THE DESIGN AND DIMENSIONS OF THE PRODUCT SHOWN ON THIS DRAWING ARE SUBJECT TO CHANGE WITHOUT NOTICE. DIMENSIONS ARE IN INCHES [mm].

TITLE
WATERTIGHT ANGLED RECEPT. 16A, 20A, 30A, 32A, 60A, 63A, 100A, 125A



TOLERANCES UNLESS OTHERWISE SPECIFIED .XX = ± .01 .XXX = ± .005 ANGLE TOL. ±2'	DR. BY AD	SCALE
	CHK. BY CAC	DATE 12/20/18

B M-14043

1