

M-14125

1

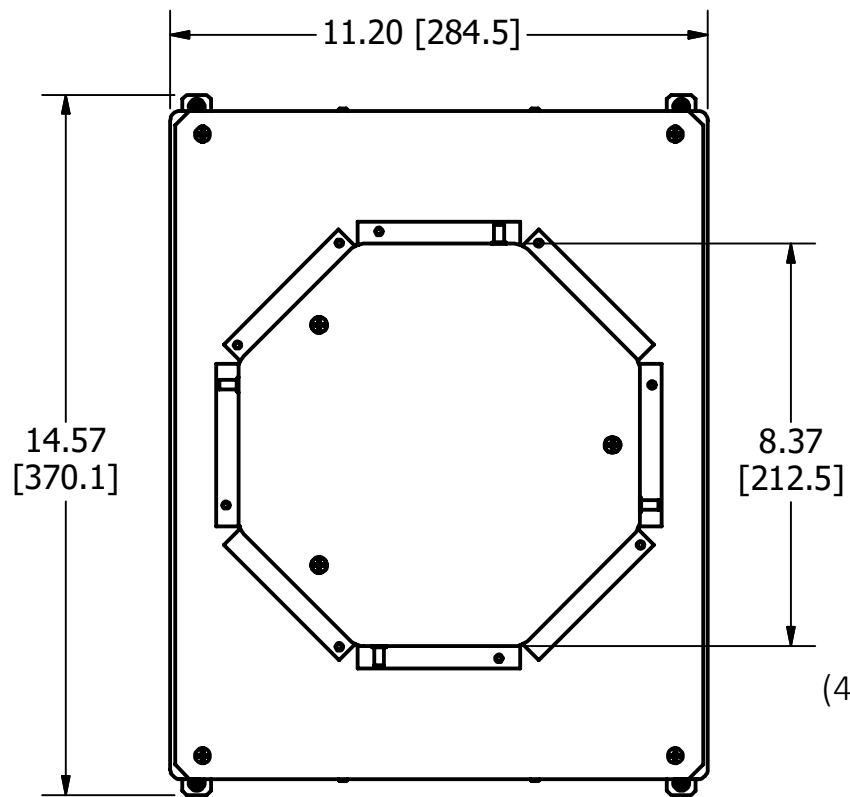
CONCENTRIC KNOCKOUTS

STYLE	TRADE SIZE
A	1/2", 3/4", 1"
B	1/2", 3/4", 1", 1-1/4"

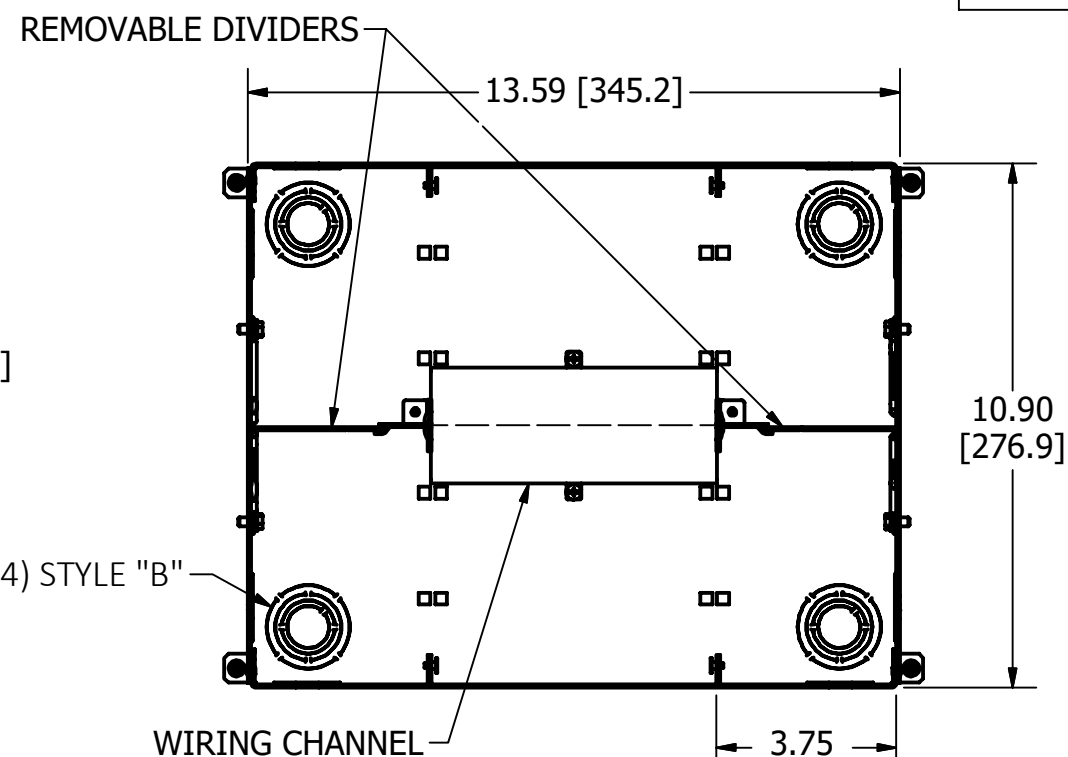
LIST OF PARTS

DESCRIPTION	MATERIAL	FINISH
BOX ASSEMBLY	16 GA. STEEL	ZINC **
TOP MOUNTING ASSY	14 GA. STEEL	ZINC
TRANSITION ASSY	14 GA. STEEL	ZINC
GROUND WIRES	COPPER	
WIRING CHANNEL	16 GA. STEEL	ZINC
REMOVABLE DIVIDERS	THERMOPLASTIC	
FASTENERS	STEEL	ZINC
TEMP COVER	14 GA. STEEL	ZINC

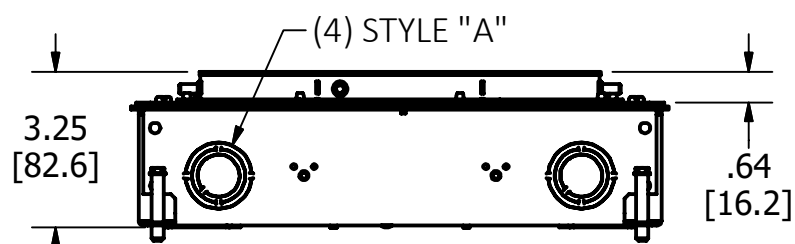
** CATALOG NO. CFB4G25RCRE BOX ASSEMBLY IS GALVANIZED AND GREEN EPOXY COATED ON EXTERIOR SURFACE.



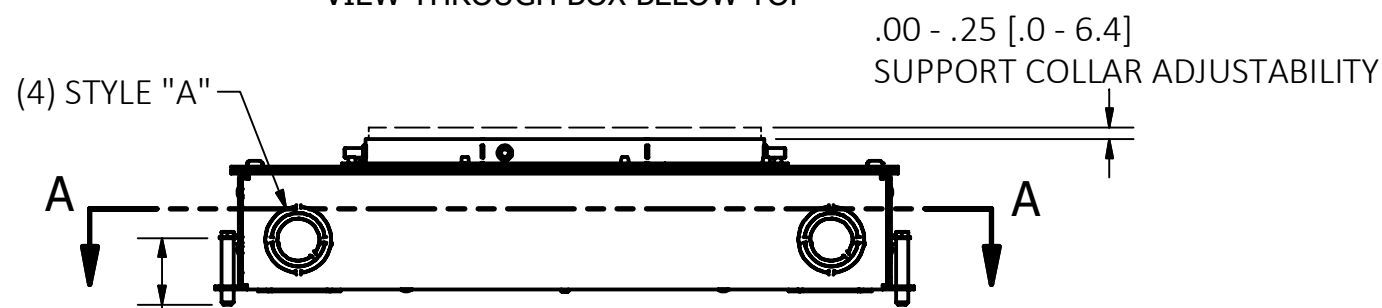
TOP VIEW



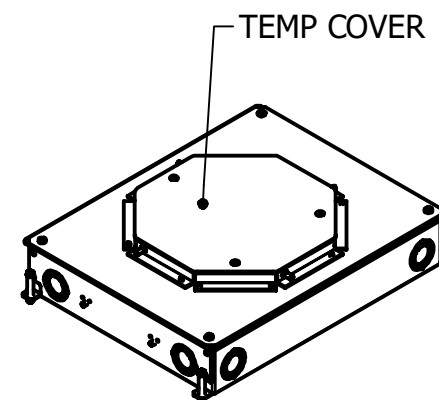
SECTION A-A
VIEW THROUGH BOX BELOW TOP



END VIEW



SIDE VIEW
TEMP COVER NOT SHOWN



ISOMETRIC

NOTES:

1. ALL DIMENSIONS ARE IN INCHES AND [MILLIMETERS].
2. PRODUCT IS cULus LISTED. COMPLIES WITH UL 514A.
3. EACH GANG SUPPLIED WITH 6" [152.4] 12 GA. AWG GROUND PIGTAIL.
4. MINIMUM CONCRETE POUR: 3.25" [82.6].
5. WIRING CHAMBER VOLUMES (RECESSED COVER): (4) 41.5 IN³ [680 CM³].
6. WIRING CHAMBER VOLUMES (FURNITURE FEED): (2) 83 IN³ [1360 CM³].
7. WIRING CHANNEL AREA: (2) .39 IN² [250 MM²].

CAGE CODE 74545

DIMENSION SHEET FOR CAT. NO. CFB4G25RE, CFB4G25RCRE

B

M-14125

1

1	ORIGINAL RELEASE PER 210929012903	SBW	2/2/22
REV	DESCRIPTION	APP	DATE

THE DESIGN AND DIMENSIONS OF THE PRODUCT SHOWN ON THIS DRAWING ARE SUBJECT TO CHANGE WITHOUT NOTICE. DIMENSIONS ARE IN INCHES [mm].

TITLE CONCRETE FLOOR BOX, 4 GANG EXTENDED, FOR 8" ROUND COVER, SHALLOW



WIRING DEVICE-KELLEMS
HUBBELL INCORPORATED
SHELTON, CT

TOLERANCES UNLESS OTHERWISE SPECIFIED .XX = ±.01 .XXX = ±.005 ANGLE TOL. ±2'	DR. BY SBW	SCALE 1/4
	CHK. BY	DATE 2/8/2021