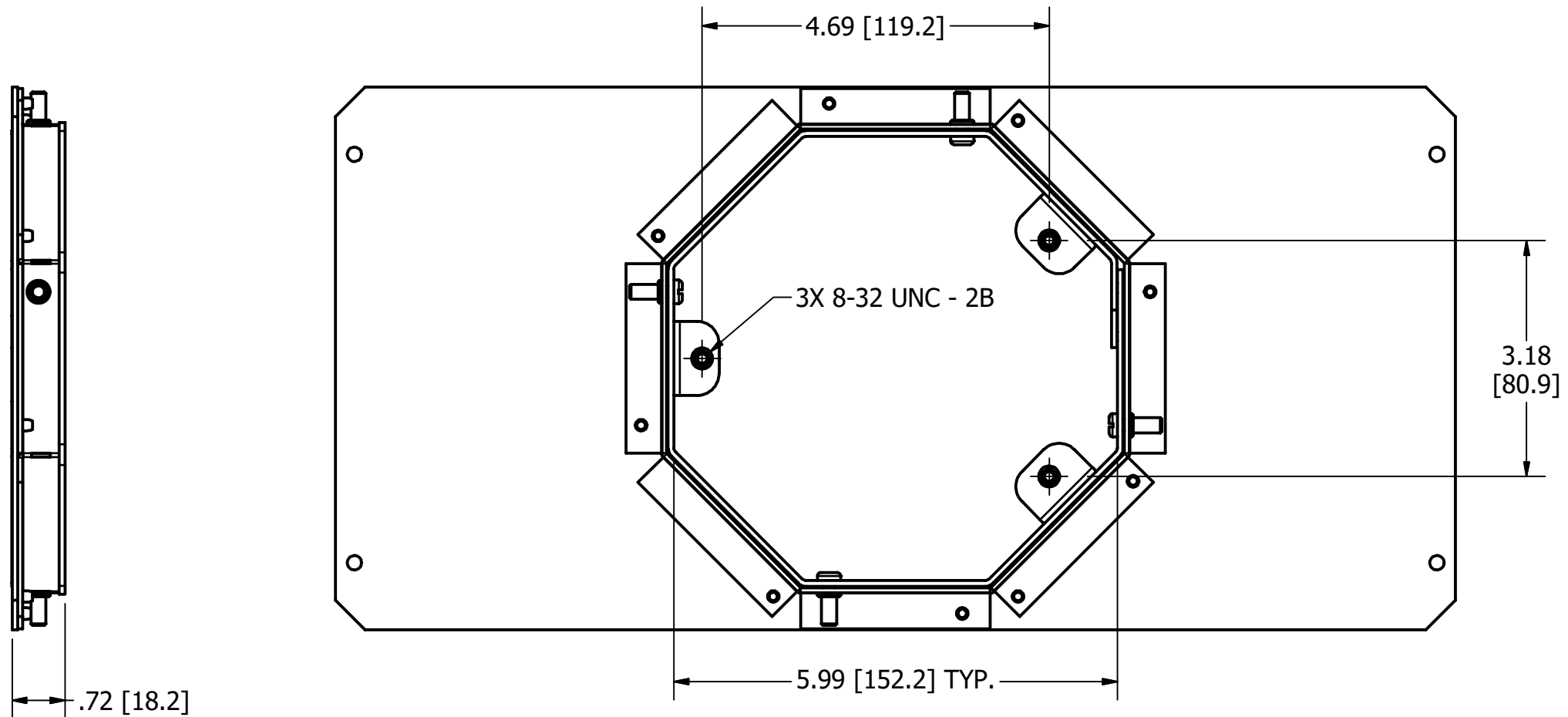
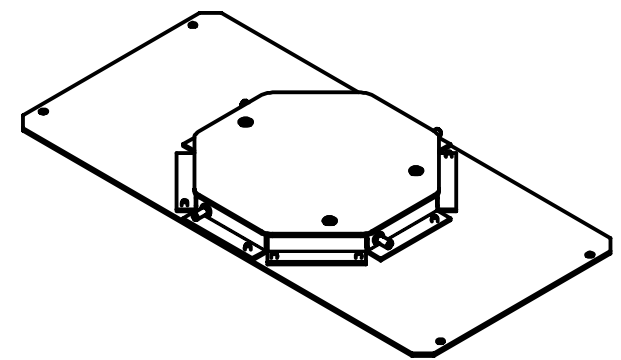


M-14137 1



TEMPORARY CONCRETE COVER NOT SHOWN



CFB2GS1R6ADAPTE

- NOTES:
1. ALL DIMENSIONS ARE IN INCHES AND [MILLIMETERS].
 2. PRODUCT IS cULus LISTED. COMPLIES WITH UL 514A.
 3. USE WITH RECESSED 2-GANG CONCRETE FLOOR BOXES (CFB2GxxE), SOLD SEPARATELY.
 4. USE WITH SYSTEM 1 RECESSED 6 INCH COVERS (S1R6CVRxx) AND (S1R6CFBFFCVRxx), SOLD SEPARATELY.
 5. MOUNTING HARDWARE INCLUDED.

CAGE CODE 74545

LIST OF PARTS		
DESCRIPTION	MATERIAL	FINISH
ADAPTER PLATE	14 GA. STEEL	ZINC
ANGLE BRACKETS	16 GA. STEEL	ZINC
COLLAR	16 GA. STEEL	ZINC
HARDWARE	STEEL	ZINC

1	ORIGINAL RELEASE PER 210929012903	SBW	2/2/22
SYM	DESCRIPTION	APP	DATE
<p>THE DESIGN AND DIMENSIONS OF THE PRODUCT SHOWN ON THIS DRAWING ARE SUBJECT TO CHANGE WITHOUT NOTICE. DIMENSIONS ARE IN INCHES [mm].</p>			
TITLE			
TRANSITION ASSEMBLY, 2 GANG, CFBE			

		WIRING DEVICE-KELLEMS HUBBELL INCORPORATED SHELTON, CT	
TOLERANCES UNLESS OTHERWISE SPECIFIED .XX = ± .01 .XXX = ± .005 ANGLE TOL. ±2'		DR. BY VKK CHK. BY SBW	SCALE 1 : 2 DATE 02/08/22

DIMENSION SHEET FOR CAT. NO. CFB2GS1R6ADAPTE
B
M-14137
1