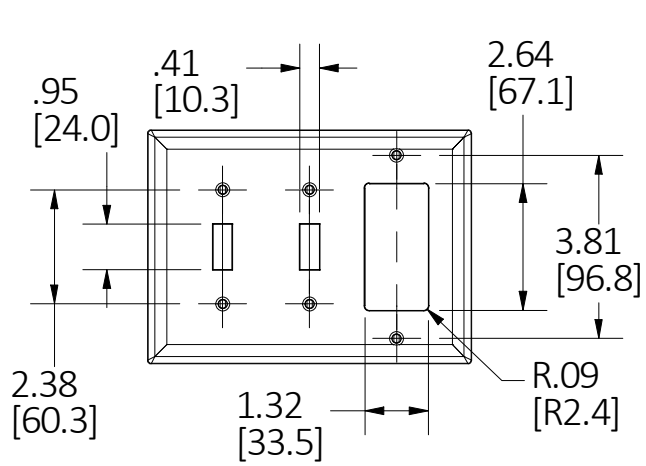
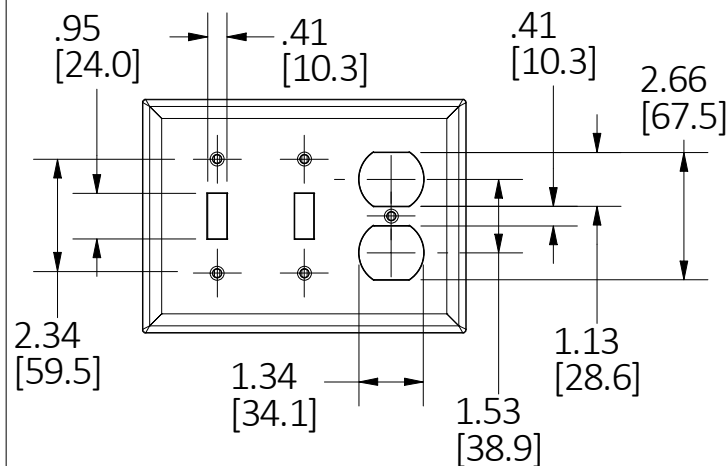


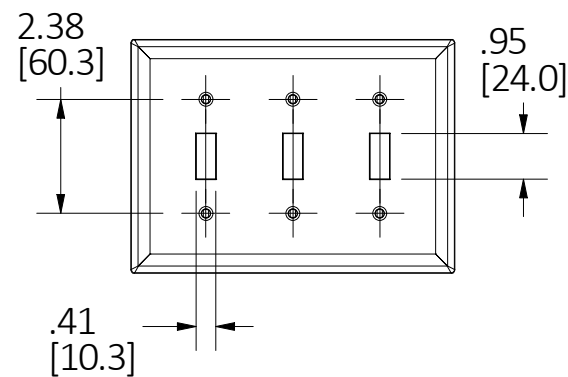
NOTES:
1. ALL DIMENSIONS ARE IN INCHES [mm].



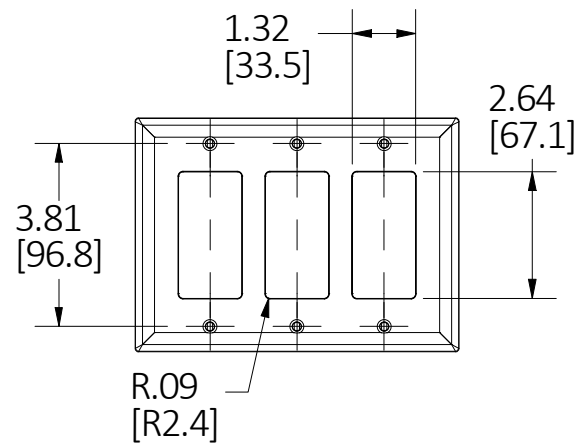
OPENING. #226



OPENING #028



OPENING. #003



OPENING. #263

CAT.#	DESCRIPTION	COLOR	OPENING
PJ3	WALLPLATE 3G TOG MID, BR	BROWN	003
PJ3I	WALLPLATE 3G TOG MID, IV	IVORY	003
PJ3W	WALLPLATE 3G TOG MID, WH	WHITE	003
PJ3GY	WALLPLATE 3G TOG MID, GY	GRAY	003
PJ3BK	WALLPLATE 3G TOG MID, BK	BLACK	003
PJ3R	WALLPLATE 3G TOG MID, RED	RED	003
PJ3LA	WALLPLATE 3G TOG MID, LA	LIGHT ALMOND	003
PJ263	WALLPLATE 3G DECO MID, BR	BROWN	263
PJ263I	WALLPLATE 3G DECO MID, IV	IVORY	263
PJ263W	WALLPLATE 3G DECO MID, WH	WHITE	263
PJ263GY	WALLPLATE 3G DECO MID, GY	GRAY	263
PJ263BK	WALLPLATE 3G DECO MID, BK	BLACK	263
PJ263LA	WALLPLATE 3G DECO MID, LA	LIGHT ALMOND	263
PJ226	WALLPLATE 3G (2)TOG&(1)DECO MID, BR	BROWN	226
PJ226I	WALLPLATE 3G (2)TOG&(1)DECO MID, IV	IVORY	226
PJ226W	WALLPLATE 3G (2)TOG&(1)DECO MID, WH	WHITE	226
PJ226GY	WALLPLATE 3G (2)TOG&(1)DECO MID, GY	GRAY	226
PJ226BK	WALLPLATE 3G (2)TOG&(1)DECO MID, BK	BLACK	226
PJ226LA	WALLPLATE 3G (2)TOG&(1)DECO MID, LA	LIGHT ALMOND	226
PJ28	WALLPLATE 3G (2)TOG&(1)DUP MID, BR	BROWN	028
PJ28I	WALLPLATE 3G (2)TOG&(1)DUP MID, IV	IVORY	028
PJ28W	WALLPLATE 3G (2)TOG&(1)DUP MID, WH	WHITE	028
PJ28LA	WALLPLATE 3G (2)TOG&(1)DUP MID, LA	LIGHT ALMOND	028

LIST OF PARTS		
DESCRIPTION	MATERIAL	FINISH
WALLPLATE	THERMOPLASTIC	COLOR SEE TABLE PER CAT.#
MOUNTING SCREW	STEEL	Zn PLATE

REV	DESCRIPTION	APP	DATE
2	ADDED PJ28 PER DCN #191115071510.	D.LI	11/5/19
1	NEW RELEASE PER DCN #191021082012.	D.LI	9/18/19

THE DESIGN AND DIMENSIONS OF THE PRODUCT SHOWN ON THIS DRAWING ARE SUBJECT TO CHANGE WITHOUT NOTICE. DIMENSIONS ARE IN INCHES [mm].

TITLE
WALLPLATE PC 3-GANG MID SIZE

HUBBELL WIRING DEVICE-KELLEMS
HUBBELL INCORPORATED
SHELTON, CT

TOLERANCES UNLESS OTHERWISE SPECIFIED
.XX = ± .01
.XXX = ± .005
ANGLE TOL. ±2'

DR. BY D.LI SCALE 1/4
CHK. BY DATE 9/18/2019