

M-14191

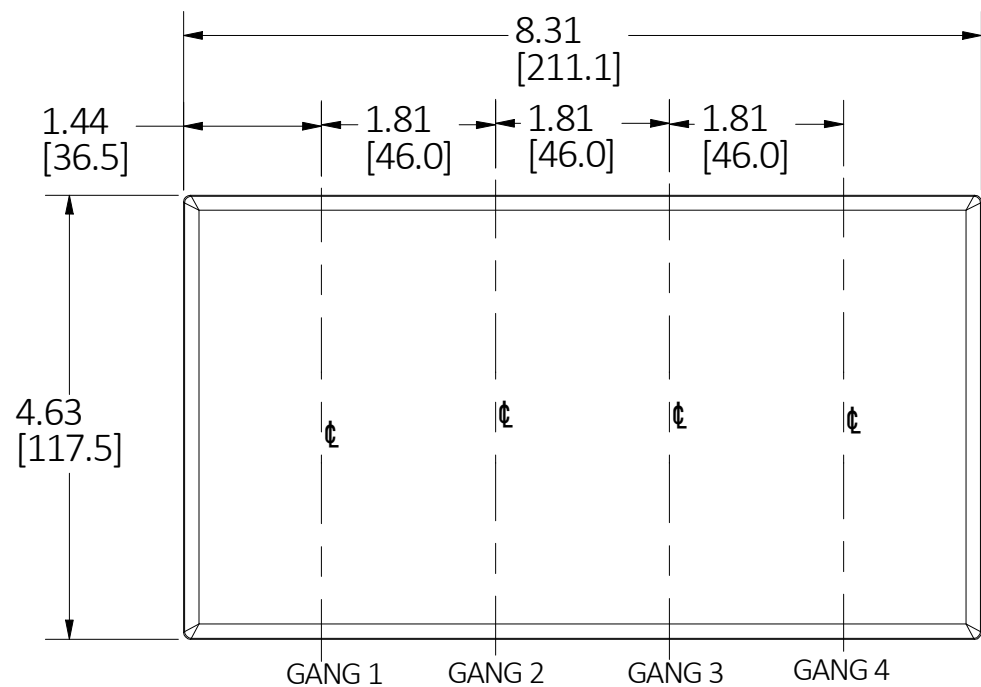
3

PAGE 1 OF 2

LIST OF PARTS

DESCRIPTION	MATERIAL	FINISH
WALLPLATE	THERMOPLASTIC	COLOR PER CAT.#
MOUNTING SCREW	STEEL	Zn PLATE

DIMENSION SHEET FOR CAT. NO. SEE TABLE

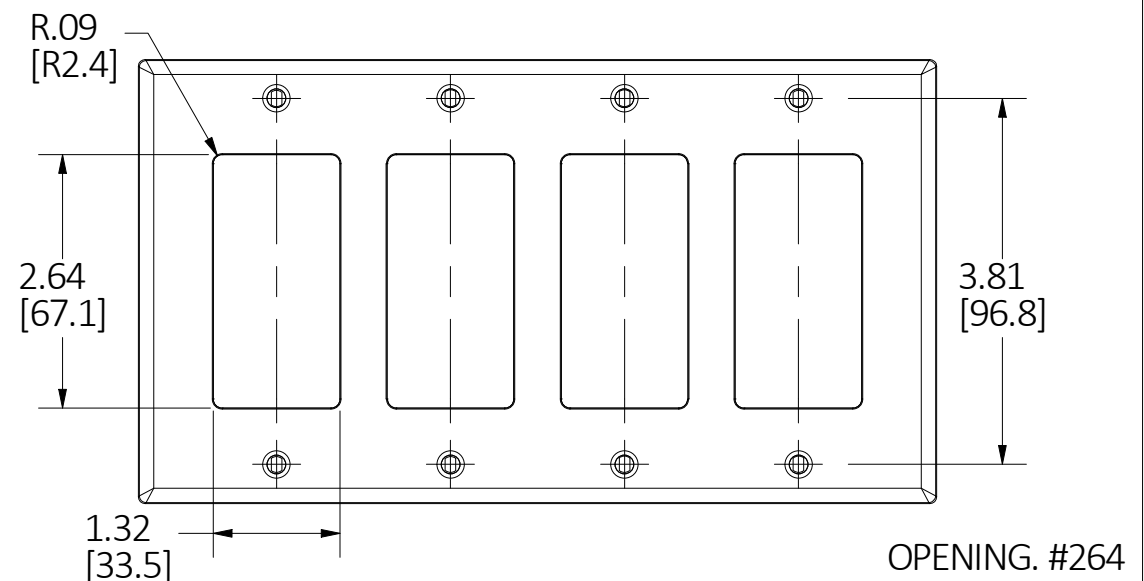


NOTES:  
1. ALL DIMENSIONS ARE IN INCHES [mm].

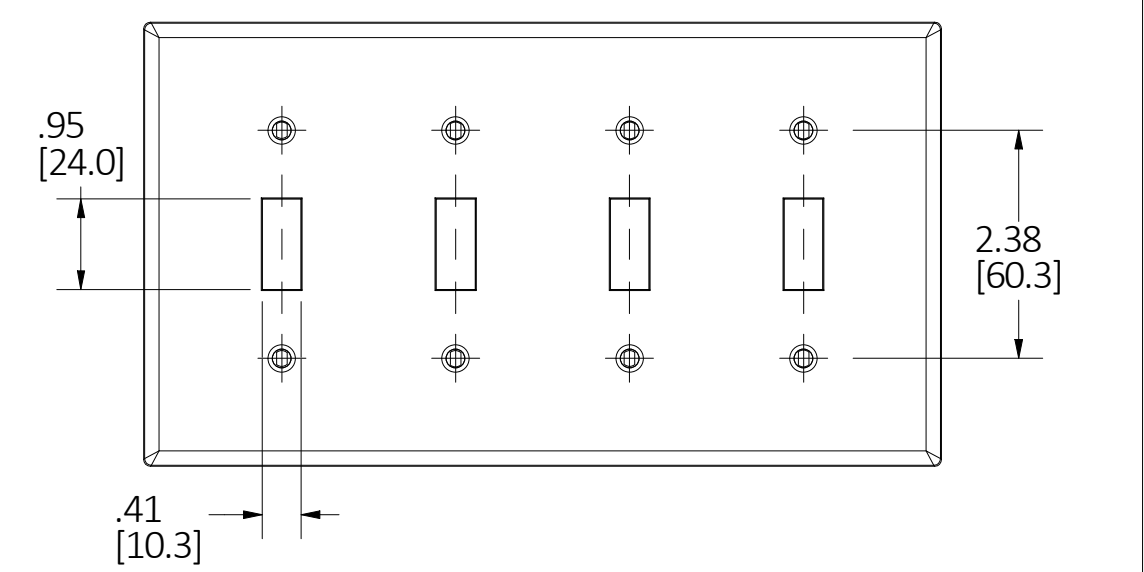
CAT.#	DESCRIPTION	COLOR	OPENING
P4	WALLPLATE 4G TOG, BR	BROWN	004
P4I	WALLPLATE 4G TOG, IV	IVORY	004
P4W	WALLPLATE 4G TOG, WH	WHITE	004
P4GY	WALLPLATE 4G TOG, GY	GRAY	004
P4LA	WALLPLATE 4G TOG, LA	LIGHT ALMOND	004
P4BK	WALLPLATE 4G TOG, BK	BLACK	004
P264	WALLPLATE 4G DECO, BR	BROWN	264
P264I	WALLPLATE 4G DECO, IV	IVORY	264
P264W	WALLPLATE 4G DECO, WH	WHITE	264
P264GY	WALLPLATE 4G DECO, GY	GRAY	264
P264BK	WALLPLATE 4G DECO, BK	BLACK	264
P264LA	WALLPLATE 4G DECO, LA	LIGHT ALMOND	264
P2262	WALLPLATE 4G (2)TOG (2) DECO, BR	BROWN	2262
P2262I	WALLPLATE 4G (2)TOG (2) DECO, IV	IVORY	2262
P2262W	WALLPLATE 4G (2)TOG (2) DECO, WH	WHITE	2262
P2262GY	WALLPLATE 4G (2)TOG (2) DECO, GY	GRAY	2262
P2262BK	WALLPLATE 4G (2)TOG (2) DECO, BK	BLACK	2262
P2262LA	WALLPLATE 4G (2)TOG (2) DECO, LA	LIGHT ALMOND	2262

REV	DESCRIPTION	APP	DATE
3	ADDED P4BK AND P43 & P326 IN SHEET 2 PER DCN #200401144939.	D.LI	3/31/20
2	ADDED P2262 AND SHEET 2 PER DCN #191115071510.	D.LI	11/6/19
1	NEW RELEASE PER DCN #191021082012.	D.LI	9/18/19

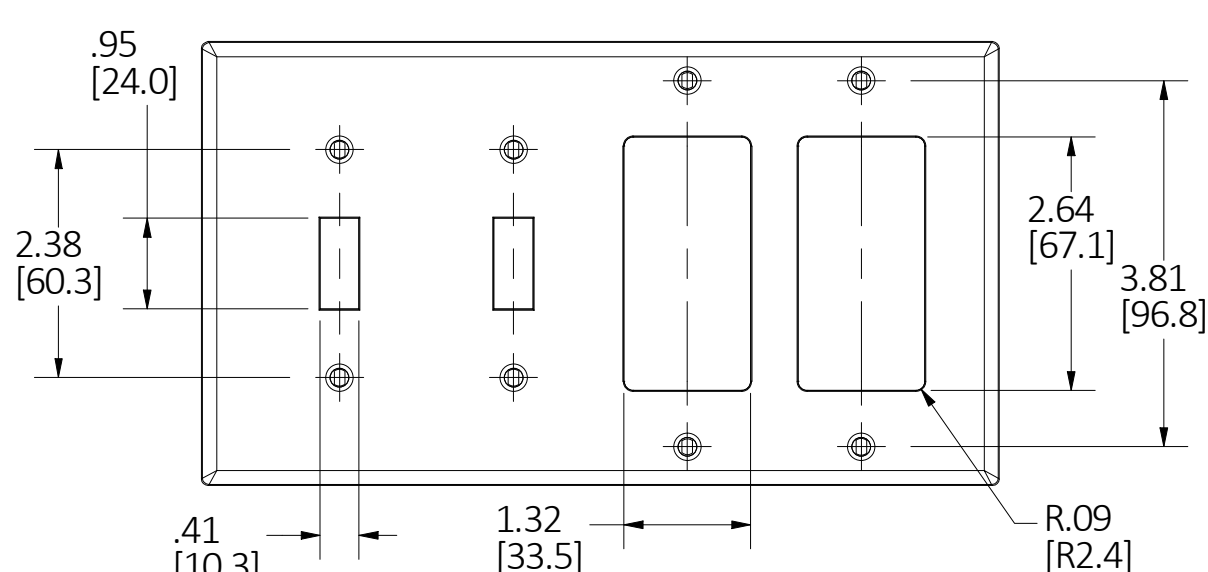
B



OPENING. #264



OPENING. #004



OPENING. #2262

THE DESIGN AND DIMENSIONS OF THE PRODUCT SHOWN ON THIS DRAWING ARE SUBJECT TO CHANGE WITHOUT NOTICE. DIMENSIONS ARE IN INCHES [mm].

TITLE  
WALLPLATE PC 4-GANG STANDARD SIZE



TOLERANCES UNLESS OTHERWISE SPECIFIED .XX = ±.01 .XXX = ±.005 ANGLE TOL. ±2'	DR. BY D.LI	SCALE 1/2
CHK. BY	DATE 9/18/2019	

M-14191

3

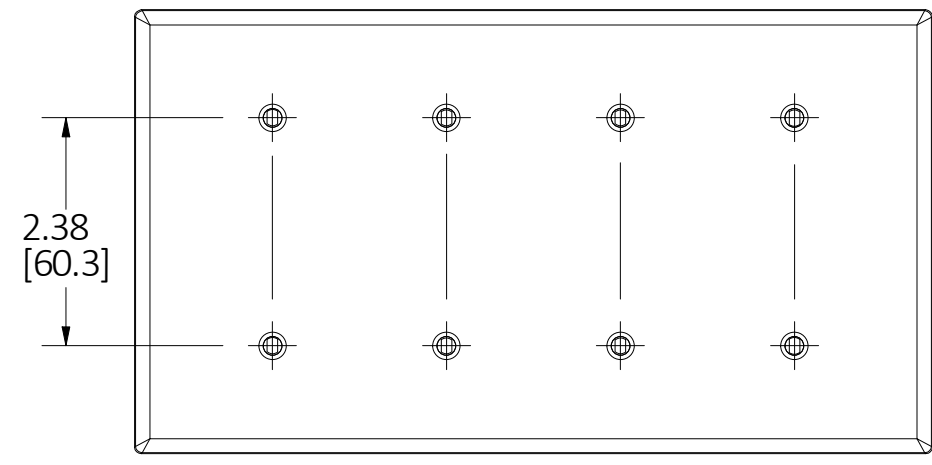
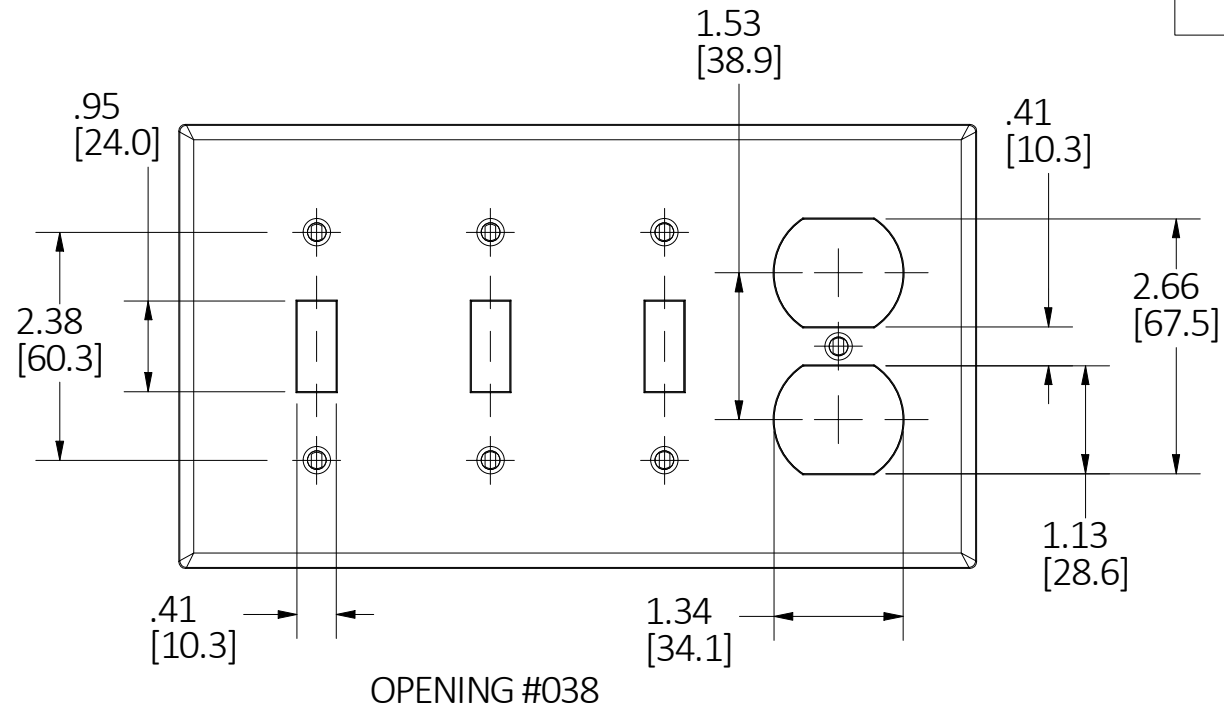
M-14191

3

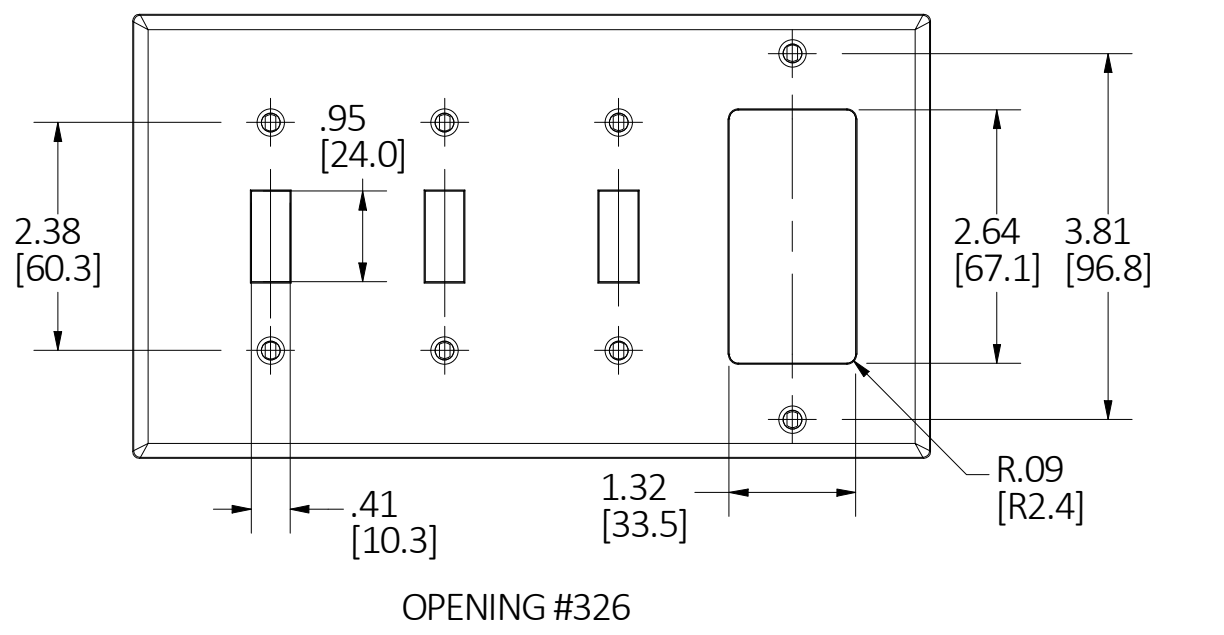
LIST OF PARTS

DESCRIPTION	MATERIAL	FINISH
WALLPLATE	THERMOPLASTIC	COLOR SEE TABLE PER CAT#
MOUNTING SCREW	STEEL	Zn PLATE
ADAPTER STRAP	STEEL	Zn PLATE

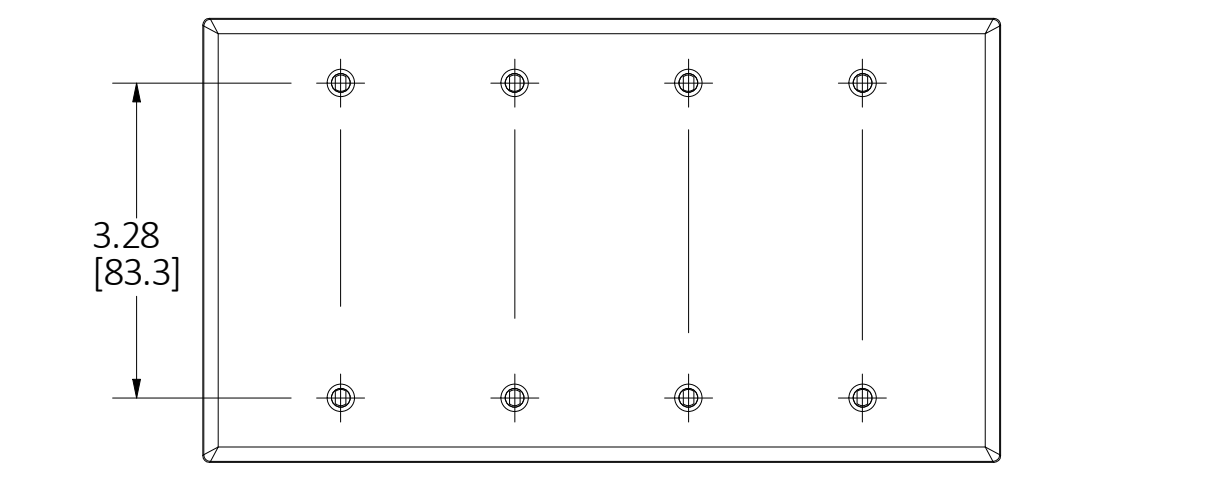
DIMENSION SHEET FOR CAT. NO. SEE TABLE



OPENING #044  
ADAPTER STRAP PROVIDED



OPENING #326



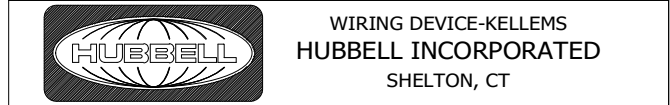
OPENING #043

CAT.#	DESCRIPTION	COLOR	OPENING
P38I	WALLPLATE 4G (3)TOG (1)DUP, IV	IVORY	038
P38W	WALLPLATE 4G (3)TOG (1)DUP, WH	WHITE	038
P38LA	WALLPLATE 4G (3)TOG (1)DUP, LA	LIGHT ALMOND	038
P44I	WALLPLATE 4G BLANK STRP MT, IV	IVORY	044
P44W	WALLPLATE 4G BLANK STRP MT, WH	WHITE	044
P326	WALLPLATE 4G (3)TOG (1)DECO, BR	BROWN	326
P326I	WALLPLATE 4G (3)TOG (1)DECO, IV	IVORY	326
P326W	WALLPLATE 4G (3)TOG (1)DECO, WH	WHITE	326
P326GY	WALLPLATE 4G (3)TOG (1)DECO, GY	GRAY	326
P326BK	WALLPLATE 4G (3)TOG (1)DECO, BK	BLACK	326
P326LA	WALLPLATE 4G (3)TOG (1)DECO, LA	LIGHT ALMOND	326
P43	WALLPLATE 4G BLANK BOX MT, BR	BROWN	043
P43I	WALLPLATE 4G BLANK BOX MT, IV	IVORY	043
P43W	WALLPLATE 4G BLANK BOX MT, WH	WHITE	043

REV	DESCRIPTION	APP	DATE
3	ADDED P4BK AND P43 & P326 IN SHEET 2 PER DCN #200401144939.	D.LI	3/31/20
2	ADDED P2262 AND SHEET 2 PER DCN #191115071510.	D.LI	11/6/19
1	NEW RELEASE PER DCN #191021082012.	D.LI	9/18/19

THE DESIGN AND DIMENSIONS OF THE PRODUCT SHOWN ON THIS DRAWING ARE SUBJECT TO CHANGE WITHOUT NOTICE. DIMENSIONS ARE IN INCHES [mm].

TITLE  
WALLPLATE PC 4-GANG STANDARD SIZE



TOLERANCES UNLESS OTHERWISE SPECIFIED .XX = ± .01 .XXX = ± .005 ANGLE TOL. ±2'	DR. BY D.LI	SCALE 1/2
	CHK. BY	DATE 11/6/19

B

M-14191

3