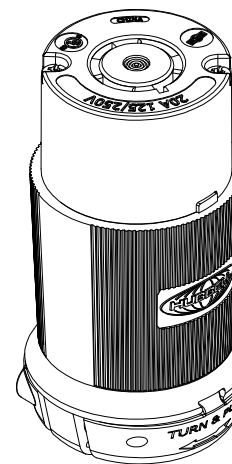
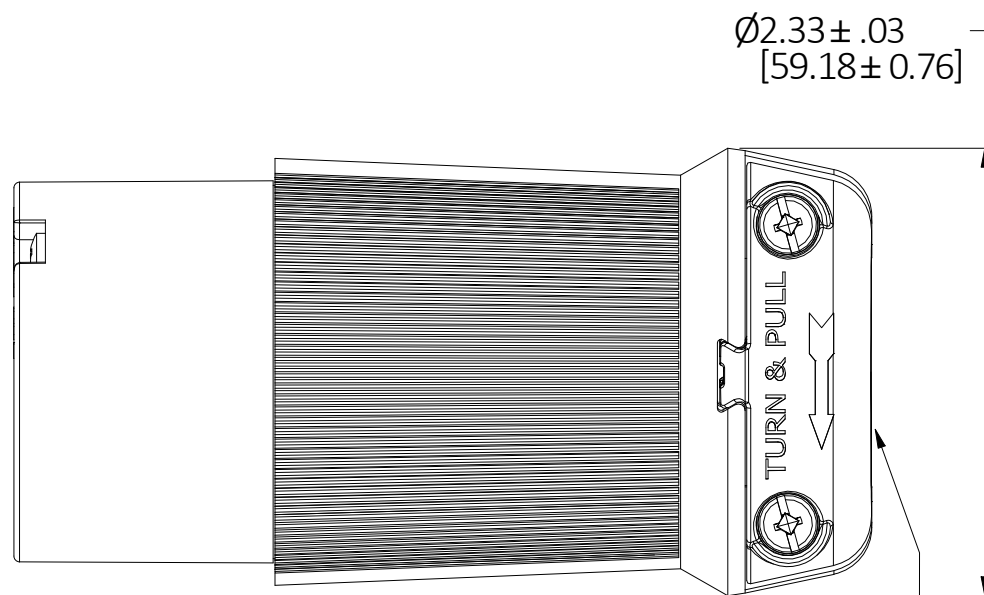
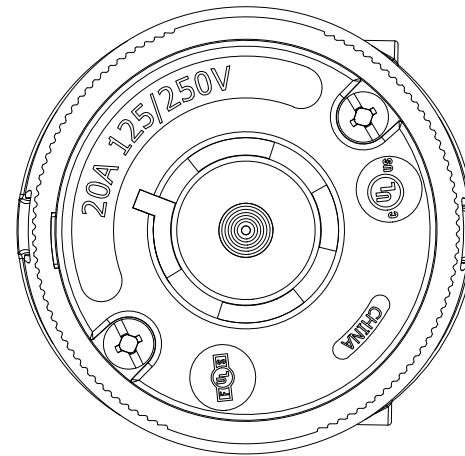
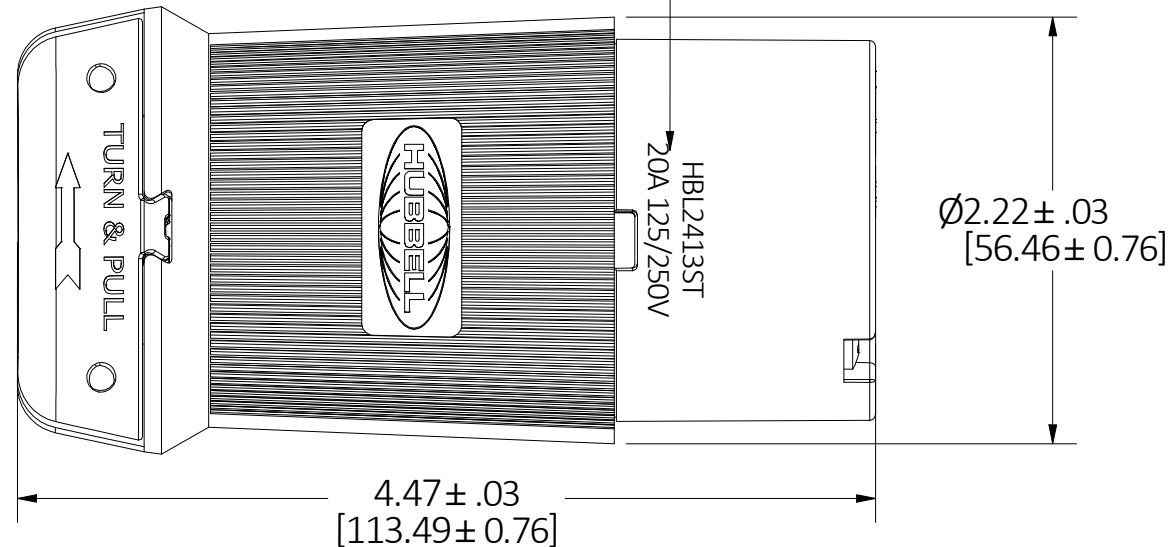


M-14333

1

CAT. NO. & RATING PRINTED ON CONTACT BODY, COLOR CODE BY VOLTAGE



CAT. NO. HBL2413ST
(NOT SHOWN TO SCALE)

NEMA NO.	RATING	POLE/WIRE	CAT. NO.	CONTACTS CONFIGURATION	VOLTAGE COLOR CODE
L14-20R	125/250V	3P/4W GROUNDING	HBL2413ST		ORANGE
L15-20R	3Ø 250VAC	3P/4W GROUNDING	HBL2423ST		BLUE
L16-20R	3Ø 480VAC	3P/4W GROUNDING	HBL2433ST		RED
L21-20R	3ØY 120/208VAC	4P/5W GROUNDING	HBL2513ST		BLUE
L22-20R	3ØY 277/480VAC	4P/5W GROUNDING	HBL2523ST		RED

NOTES (UNLESS OTHERWISE SPECIFIED):

- DIMENSIONS ARE IN INCHES [mm].
- ALL DEVICES ARE cULus LISTED & FED SPEC.
- CORD TYPES: S & SJ, ROUND CORD ONLY
- WIRE TERMINAL ACCOMODATION: 14AWG - 8AWG STRANDED COPPER WIRE ONLY
- CONDUCTOR STRIP LENGTH: 3/4" (19mm).
- ASSEMBLY SCREWS ARE PHILLIPS/SLOTTED/ROBERTSON HEAD.
- CATALOG NUMBERS & RATING ARE PAD PRINTED ON THE SIDE OF THE DEVICE, COLOR CODED BY VOLTAGE.

1	INITIAL RELEASE PER DCN 221103025257 AM	RGP	11/03/22
REV	DESCRIPTION	APP	DATE

THE DESIGN AND DIMENSIONS OF THE PRODUCT SHOWN ON THIS DRAWING ARE SUBJECT TO CHANGE WITHOUT NOTICE. DIMENSIONS ARE IN INCHES [mm].

TITLE
20A 4/5-WIRE SCREWLESS TERMINATION CONNECTOR



WIRING DEVICE-KELLEMS
HUBBELL INCORPORATED
SHELTON, CT

TOLERANCES UNLESS OTHERWISE SPECIFIED .XX = ± .01 .XXX = ± .005 ANGLE TOL. ±2'	DR. BY AM	SCALE 1 : 1
	CHK. BY RGP	DATE 11/03/22