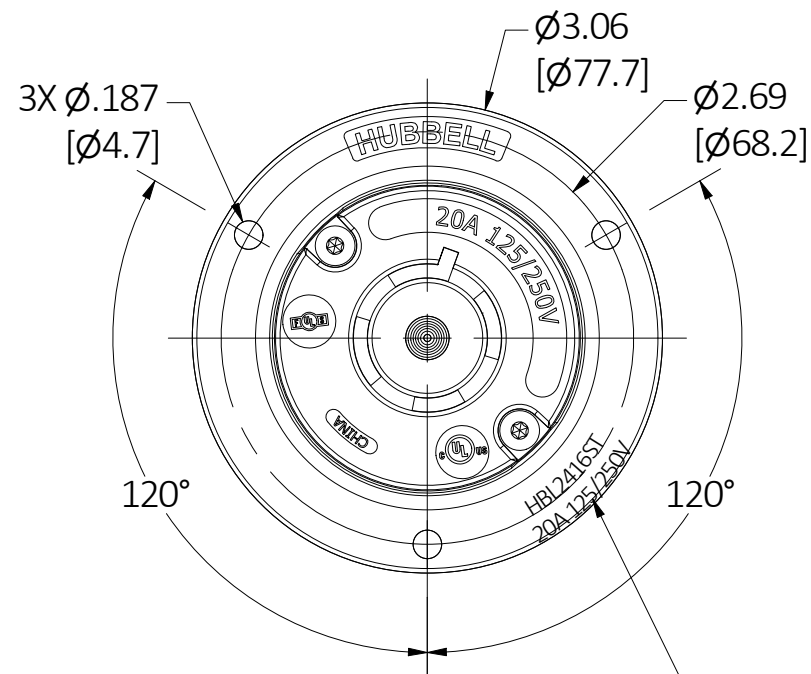
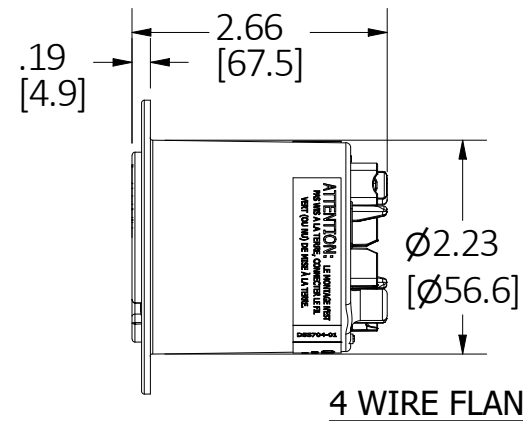


M-14334

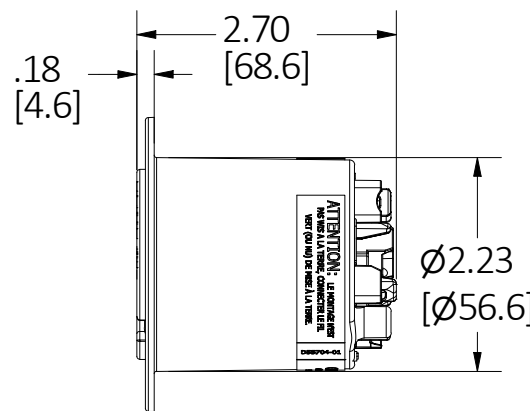
1



CAT. NO. & RATING  
PRINTED ON FLANGE,  
COLOR CODE BY VOLTAGE



4 WIRE FLANGED RECEPTACLE



5 WIRE FLANGED RECEPTACLE

MOUNTING HOLE  
LOCATION

Ø2.250 [Ø57.15]  
PANEL CUTOUT

Ø2.69 [Ø68.33]  
BOLT CIRCLE

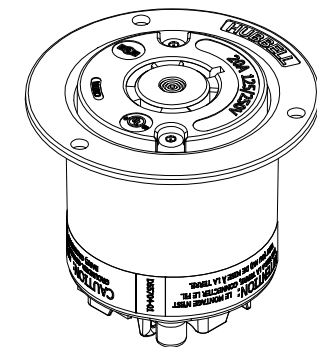
PANEL CUTOUT DETAIL  
SCALE 1:1

NOTES (UNLESS OTHERWISE SPECIFIED):

- DIMENSIONS ARE IN INCHES [mm].
- ALL DEVICES ARE cULus LISTED & FED SPEC.
- WIRING TERMINAL ACCOMMODATION:
  - SOLID WIRE: 14 AWG - 10 AWG COPPER WIRE ONLY
  - STRANDED WIRE (INCLUDING COMPACT STRANDED): 14 AWG - 8 AWG COPPER WIRE ONLY
- CONDUCTOR STRIP LENGTH: 3/4" (19mm)
- MOUNTING HOLES IN FLANGE ARE SIZED FOR #8 SCREWS.
- MOUNTING SCREWS NOT SUPPLIED.
- CATALOG NUMBERS & RATING ARE PAD PRINTED ON THE FLANGE OF THE DEVICE, COLOR CODED BY VOLTAGE.

LIST OF PARTS

DESCRIPTION	MATERIAL	FINISH
CASING	NYLON	NATURAL
CONTACT BODY	NYLON	NATURAL
RETAINER	NYLON	BLACK
CONTACTS	COPPER ALLOY	
SPRING	STAINLESS STEEL	
PLUNGER	NYLON	
ASSEMBLY FASTENERS	STEEL	ZINC PLATE
ISOLATOR	NYLON	BLACK



CAT. NO. HBL2416ST  
(NOT SHOWN TO SCALE)

NEMA NO.	RATING	POLE/WIRE	CAT. NO.	CONTACTS CONFIGURATION	VOLTAGE COLOR CODE
L14-20R	125/250V	3P/4W GROUNDING	HBL2416ST		ORANGE
L15-20R	3Ø 250VAC	3P/4W GROUNDING	HBL2426ST		BLUE
L16-20R	3Ø 480VAC	3P/4W GROUNDING	HBL2436ST		RED
L21-20R	3ØY 120/208VAC	4P/5W GROUNDING	HBL2516ST		BLUE
L22-20R	3ØY 277/480VAC	4P/5W GROUNDING	HBL2526ST		RED

CAGE CODE 74545

1	INITIAL RELEASE PER DCN 221103025257 AM	RGP	11/03/22
REV	DESCRIPTION	APP	DATE

THE DESIGN AND DIMENSIONS OF THE PRODUCT SHOWN ON THIS DRAWING ARE SUBJECT TO CHANGE WITHOUT NOTICE. DIMENSIONS ARE IN INCHES [mm].

TITLE  
20A 4/5-WIRE SCREWLESS  
TERMINATION FLANGED RECEPTACLE



WIRING DEVICE-KELLEMS  
HUBBELL INCORPORATED  
SHELTON, CT

TOLERANCES UNLESS OTHERWISE SPECIFIED .XX = ± .01 .XXX = ± .005 ANGLE TOL. ±2°	DR. BY AM CHK. BY RGP	SCALE 1 : 1.25 DATE 11/03/22
---	--------------------------	---------------------------------

DIMENSION SHEET FOR CAT. NO. SEE TABLE

B

M-14334

1