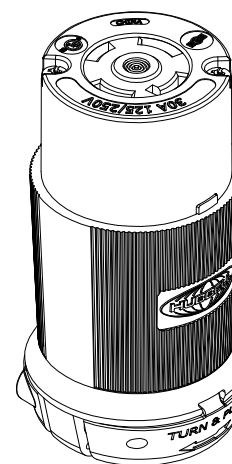
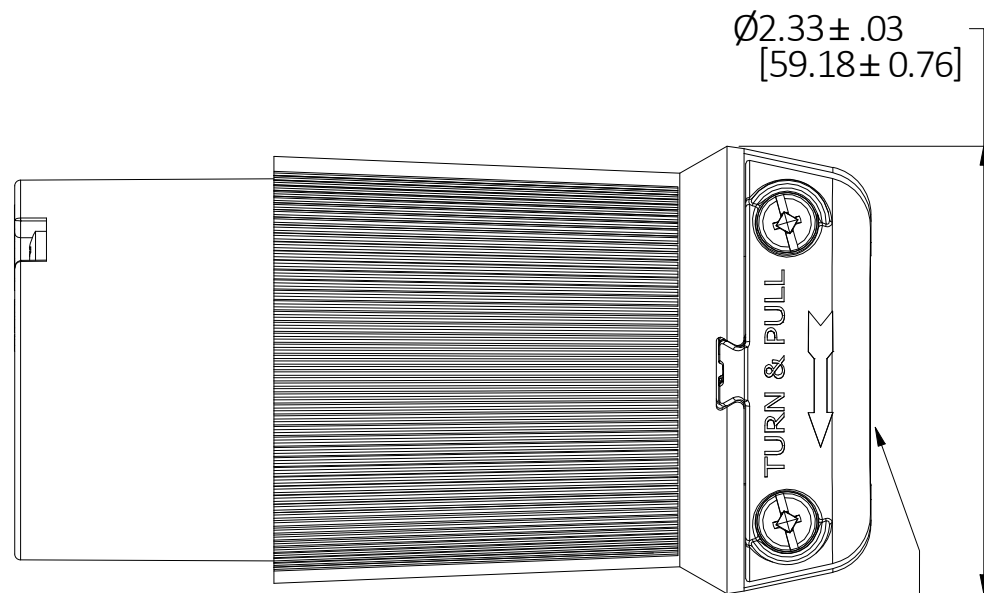
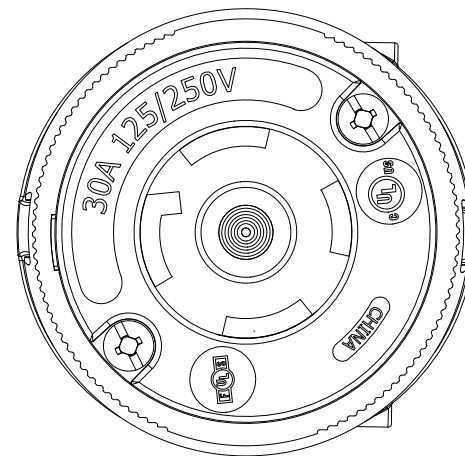
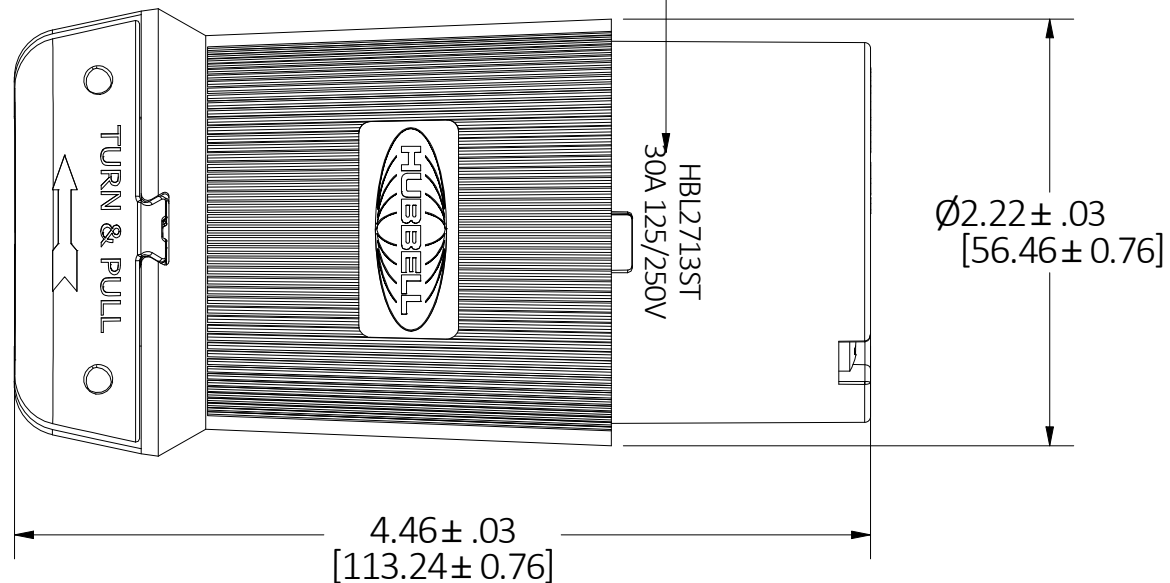


M-14335

1

CAT. NO. & RATING PRINTED ON CONTACT BODY, COLOR CODE BY VOLTAGE



CAT. NO. HBL2713ST
(NOT SHOWN TO SCALE)

NEMA NO.	RATING	POLE/WIRE	CAT. NO.	CONTACTS CONFIGURATION	VOLTAGE COLOR CODE
L14-30R	125/250V	3P/4W GROUNDING	HBL2713ST		ORANGE
L15-30R	3Ø 250VAC	3P/4W GROUNDING	HBL2723ST		BLUE
L16-30R	3Ø 480VAC	3P/4W GROUNDING	HBL2733ST		RED
L21-30R	3ØY 120/208VAC	4P/5W GROUNDING	HBL2813ST		BLUE
L22-30R	3ØY 277/480VAC	4P/5W GROUNDING	HBL2823ST		RED

NOTES (UNLESS OTHERWISE SPECIFIED):

1. DIMENSIONS ARE IN INCHES [mm].
2. ALL DEVICES ARE cULus LISTED & FED SPEC.
3. CORD TYPES: S & SJ, ROUND CORD ONLY
4. WIRE TERMINAL ACCOMODATION: 14AWG - 8AWG STRANDED COPPER WIRE ONLY
5. CONDUCTOR STRIP LENGTH: 3/4" (19mm).
6. ASSEMBLY SCREWS ARE PHILLIPS/SLOTTED/ROBERTSON HEAD.
7. CATALOG NUMBERS & RATING ARE PAD PRINTED ON THE SIDE OF THE DEVICE, COLOR CODED BY VOLTAGE.

LIST OF PARTS		
DESCRIPTION	MATERIAL	FINISH
CONTACT BODY	NYLON	NATURAL
COVER	NYLON	BLACK
CORD CLAMP	NYLON	NATURAL
CONTACTS	COPPER ALLOY	
RETAINER	NYLON	BLACK
SPRING	STAINLESS STEEL	
PLUNGER	NYLON	
ASSEMBLY FASTENERS	STEEL	ZINC PLATE
CORD CLAMP INSERTS	NYLON	BLACK
ISOLATOR	NYLON	BLACK
DUST SHIELD	TPE	BLACK

1	INITIAL RELEASE PER DCN 221103025257 AM	RGP	11/03/22
REV	DESCRIPTION	APP	DATE

THE DESIGN AND DIMENSIONS OF THE PRODUCT SHOWN ON THIS DRAWING ARE SUBJECT TO CHANGE WITHOUT NOTICE. DIMENSIONS ARE IN INCHES [mm].

TITLE
30A 4/5-WIRE SCREWLESS TERMINATION CONNECTOR



WIRING DEVICE-KELLEMS
HUBBELL INCORPORATED
SHELTON, CT

TOLERANCES UNLESS OTHERWISE SPECIFIED .XX = ± .01 .XXX = ± .005 ANGLE TOL. ±2'	DR. BY AM	SCALE 1 : 1
	CHK. BY RGP	DATE 11/03/22