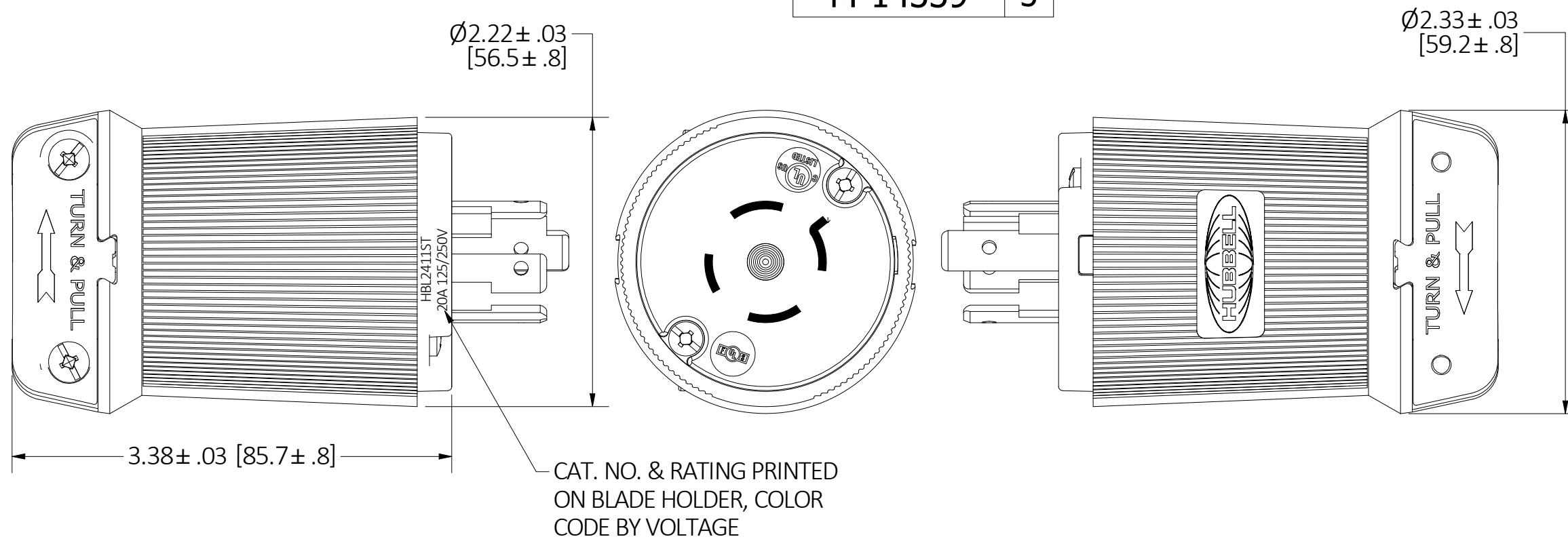
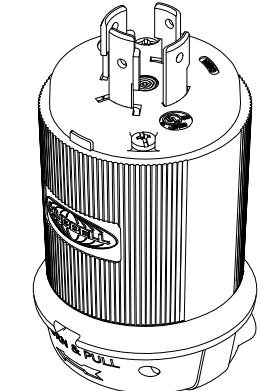


M-14339

3



LIST OF PARTS		
DESCRIPTION	MATERIAL	FINISH
COVER	NYLON	BLACK
CORD CLAMP	NYLON	NATURAL, BLACK
BLADE HOLDER	NYLON	NATURAL, BLACK
RETAINER	NYLON	BLACK
BLADE	COPPER ALLOY	
SPRING	STAINLESS STEEL	
PLUNGER	NYLON	
ASSEMBLY FASTENERS	STEEL	ZINC PLATE
CORD CLAMP INSERTS	NYLON	BLACK
DUST SHIELD	TPE	BLACK



**CAT. NO. HBL2411ST  
(NOT SHOWN TO SCALE)**

NEMA NO.	RATING	POLE/WIRE	CAT. NO.	BLADE CONFIGURATION	VOLTAGE COLOR CODE
L14-20P	125/250V	3P/4W GROUNDING	HBL2411ST HBL2411STBK		ORANGE
L15-20P	3Ø 250VAC	3P/4W GROUNDING	HBL2421ST		BLUE
L16-20P	3Ø 480VAC	3P/4W GROUNDING	HBL2431ST		RED
L21-20P	3Ø Y 120/208VAC	4P/5W GROUNDING	HBL2511ST HBL2511STBK		BLUE
L22-20P	3Ø Y 277/480VAC	4P/5W GROUNDING	HBL2521ST		RED

**NOTES (UNLESS OTHERWISE SPECIFIED):**

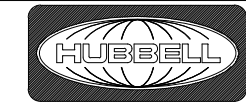
- DIMENSIONS ARE IN INCHES [mm].
- ALL DEVICES ARE cULus LISTED & FED SPEC.
- CORD TYPES: S & SJ, ROUND CORD ONLY.
- CORD CLAMP RANGE:  $\varnothing 0.35$  [Ø9 mm] -  $\varnothing 1.15$  [Ø29 mm].
- WIRING TERMINAL ACCOMMODATION: 14 AWG - 8 AWG STRANDED COPPER WIRE ONLY.
- ASSEMBLY SCREWS ARE PHILLIPS/SLOTTED/ROBERTSON HEAD.
- CATALOG NUMBERS & RATING ARE PAD PRINTED ON THE SIDE OF THE DEVICE, COLOR CODED BY VOLTAGE.

ADDED CAT#			
HBL2411STBK & HBL2511STBK, REPLACED			
NATURAL WITH NATURAL, BLACK FOR CORD CLAMP & BLADE HOLDER PER DCN 221011024714 AM	MAM		12/09/22

REV	DESCRIPTION	APP	DATE
-----	-------------	-----	------

THE DESIGN AND DIMENSIONS OF THE PRODUCT SHOWN ON THIS DRAWING ARE SUBJECT TO CHANGE WITHOUT NOTICE. DIMENSIONS ARE IN INCHES [mm].

TITLE  
**20A 4 & 5-WIRE SCREWLESS TERMINATED PLUGS**



WIRING DEVICE-KELLEMS  
HUBBELL INCORPORATED  
SHELTON, CT

TOLERANCES UNLESS OTHERWISE SPECIFIED .XX = ± .01 .XXX = ± .005 ANGLE TOL. ±2'	DR. BY PS	SCALE 1:1
	CHK. BY MAM	DATE 11/17/21