

M-14395

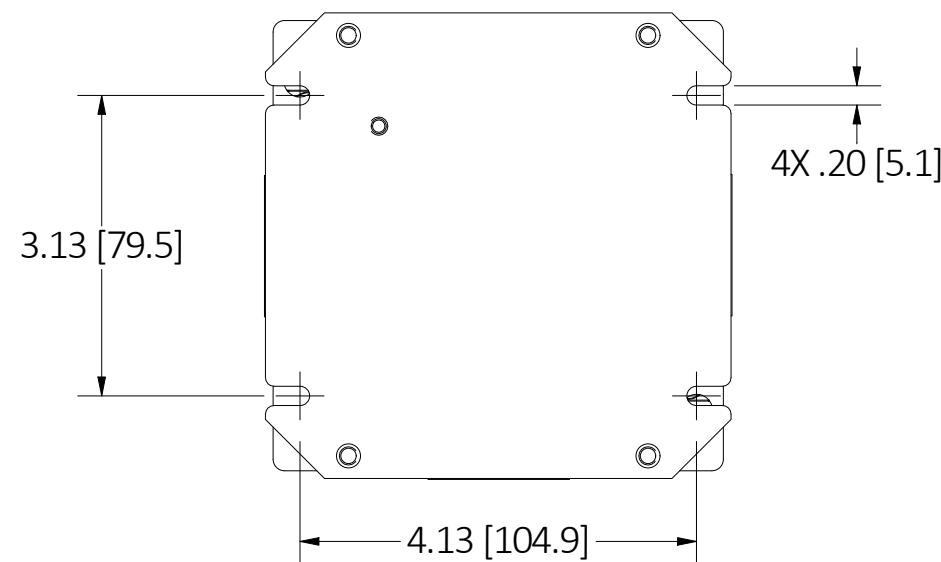
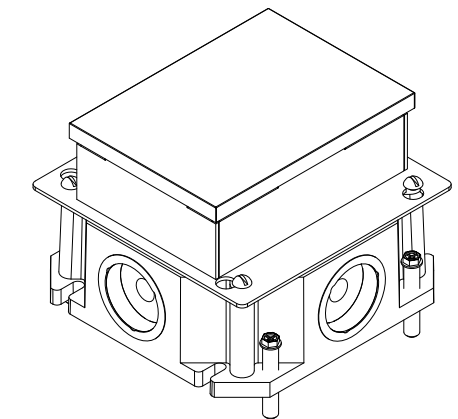
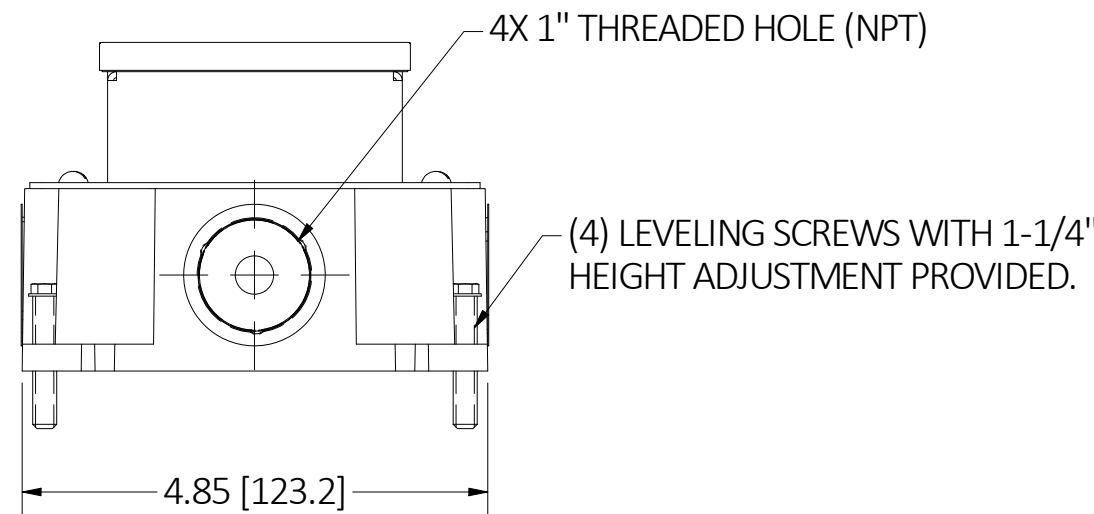
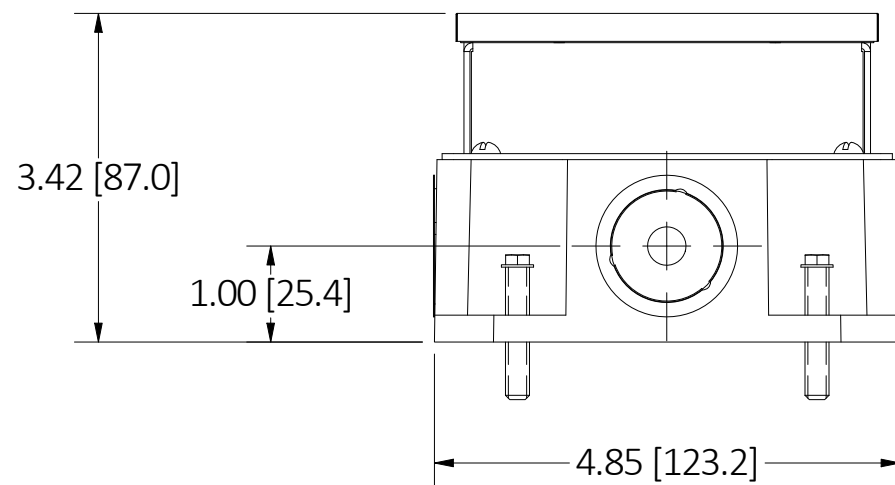
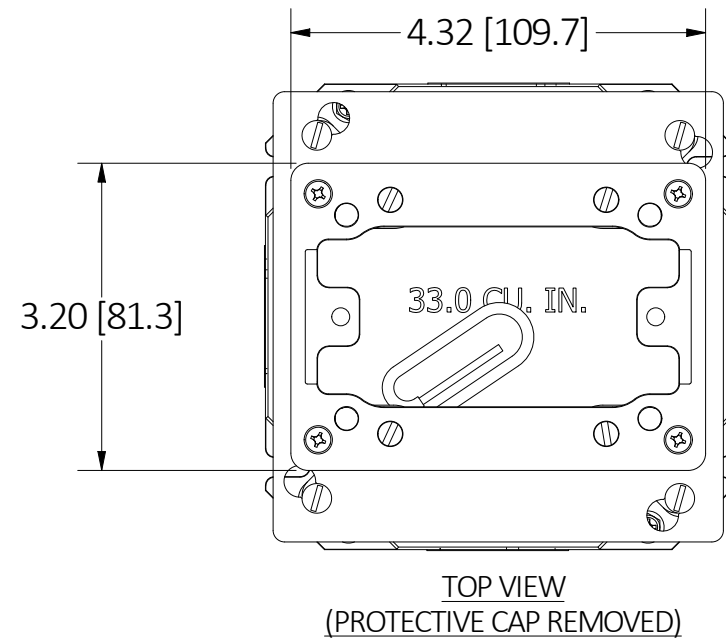
1

SHEET : 1 of 2

LIST OF PARTS

DESCRIPTION	MATERIAL	FINISH
DEEP BOX (1 GANG)	CAST IRON	GREEN
CLOSURE PLUG	STAINLESS STEEL	
SCREWS	STEEL	ZINC PLATE
ADAPTER	GALV. STEEL	GREEN
ADJUSTABLE COLLAR	GALV. STEEL	GREEN
COVER FRAME	THERMOPLASTIC	
LEVELING SCREW	STEEL	ZINC PLATE
GROUND SCREW	STEEL	ZINC PLATE + GREEN
CONCRETE COVER	TIN PLATE	
REDUCING BUSHING	STEEL	ZINC PLATE
GR WIRE PIGTAIL	COPPER	-

DIMENSION SHEET FOR CAT. NO. FB4133



- NOTES:
1. ALL DIMENSIONS ARE IN INCHES [MM].
 2. ALL OPENINGS ARE CLOSED WITH A PLUG.
 3. INCLUDES (2) 1" TO 3/4" REDUCING BUSHINGS.
 4. 7/8 INCH PRE/ POST POUR COLLAR ADJUSTMENT

1	INITIAL RELEASE WITH DCN #211214015266	SW	12/20/21
REV	DESCRIPTION	APP	DATE

THE DESIGN AND DIMENSIONS OF THE PRODUCT SHOWN ON THIS DRAWING ARE SUBJECT TO CHANGE WITHOUT NOTICE. DIMENSIONS ARE IN INCHES [mm].

TITLE
RECT FLOORBOX, CAST IRON, DEEP, 1-GANG



WIRING DEVICE-KELLEMS
HUBBELL INCORPORATED
SHELTON, CT

TOLERANCES UNLESS OTHERWISE SPECIFIED .XX = ± .01 .XXX = ± .005 ANGLE TOL. ±2'	DR. BY PSV	SCALE 1:2
	CHK. BY SW	DATE 12/20/21

B

M-14395

1

Single Gang Flanges for FB4133, FB4114, FB2431, FB2421 Floor Boxes

Application	Flange Type	Aluminum	Brass	Clear Non-Metallic	Black Non-Metallic	Brown Non-Metallic	Gray Non-Metallic	Ivory Non-Metallic	Notes
Carpeting	Flat	SA3083W	SB3083W	-	-	-	-	-	-
Hard Surface	Flat Beveled	SA3083WB	SB3083WB	-	-	-	-	-	-
Carpeting	Traditional	SA3083	SB3083	S3083	MFBRFBL1	MFBRFBR1	MFBRFGY1	MFBRFI1	-
Flush- Tile/ Finished Concrete	Cover Flange	SA5017GR	S5017GR	-	-	-	-	-	-

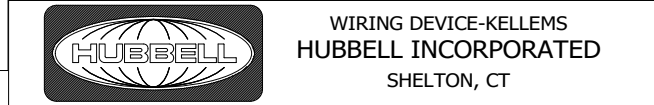
Cover Variants for Single Gang Flanges : Pick 1 for FB4133, FB4114, FB2431, FB2421 Floor Boxes

Cover Type	Flange Cat. No.	StyleLine/ decorator Flap	Duplex Flap	Duplex Screw	TR Duplex Screw	2-1/8" x 3/4" Combination	2-1/8" x 1" Combination	2-1/8" Single Receptacle	Blank	Notes
Aluminum	SA3083W	SA3826	SA3825	S3625	SA3625TR	SA2425	SA2625	-	SA3813	-
Aluminum	SA3083WB	SA3826	SA3825	S3625	SA3625TR	SA2425	SA2625	-	SA3813	-
Aluminum	SA3083	SA3826	SA3825	S3625	SA3625TR	SA2425	SA2625	-	SA3813	Also Requires (1) SA5017GR
Aluminum	S3083	SA3826	SA3825	S3625	SA3625TR	SA2425	SA2625	-	SA3813	Also Requires (1) SA5017GR
Aluminum	SA5017GR	SA3826	SA3825	S3625	SA3625TR	SA2425	SA2625	-	SA3813	-
Brass	SB3083W	S3826	S3825	SA3625	S3625TR	S2425	S2625	S2825	S3813	-
Brass	SB3083WB	S3826	S3825	SA3625	S3625TR	S2425	S2625	S2825	S3813	-
Brass	SB3083	S3826	S3825	SA3625	S3625TR	S2425	S2625	S2825	S3813	Also Requires (1) S5017GR
Brass	S3083	S3826	S3825	SA3625	S3625TR	S2425	S2625	S2825	S3813	Also Requires (1) S5017GR
Brass	S5017GR	S3826	S3825	SA3625	S3625TR	S2425	S2625	S2825	S3813	-
Black Non-Metallic	MFBRFBL1	PFBR826BLA	PFBR826BLA	-	-	-	-	-	-	Also Requires (1) MFBRFADPT
Brown Non-Metallic	MFBRFBR1	PFBR826BRA	PFBR826BRA	-	-	-	-	-	-	Also Requires (1) MFBRFADPT
Gray Non-Metallic	MFBRFGY1	PFBR826GYA	PFBR826GYA	-	-	-	-	-	-	Also Requires (1) MFBRFADPT
Ivory Non-Metallic	MFBRFI1	PFBR826IA	PFBR826IA	-	-	-	-	-	-	Also Requires (1) MFBRFADPT

1	INITIAL RELEASE WITH DCN #211214015266	SW	12/20/21
REV	DESCRIPTION	APP	DATE

THE DESIGN AND DIMENSIONS OF THE PRODUCT SHOWN ON THIS DRAWING ARE SUBJECT TO CHANGE WITHOUT NOTICE. DIMENSIONS ARE IN INCHES [mm].

TITLE
RECT FLOORBOX, CAST IRON, DEEP, 1-GANG



TOLERANCES UNLESS OTHERWISE SPECIFIED .XX = ± .01 .XXX = ± .005 ANGLE TOL. ±2'	DR. BY PSV	SCALE
	CHK. BY SW	DATE 12/20/21