

M14398

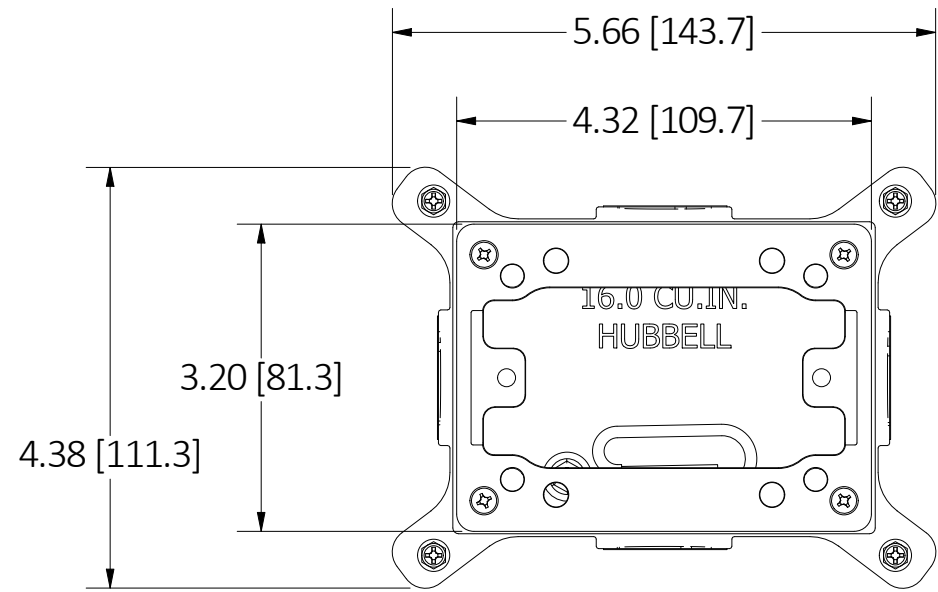
1

SHEET : 1 of 2

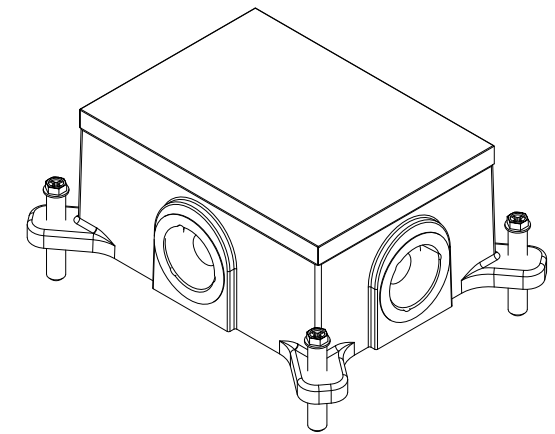
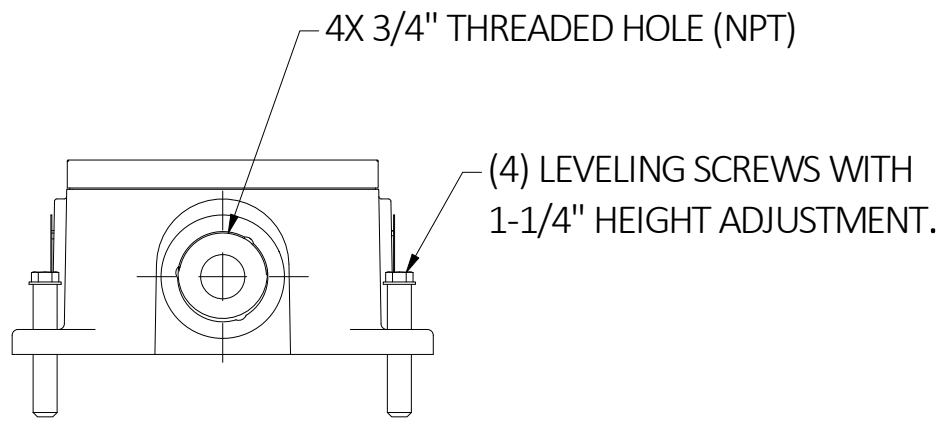
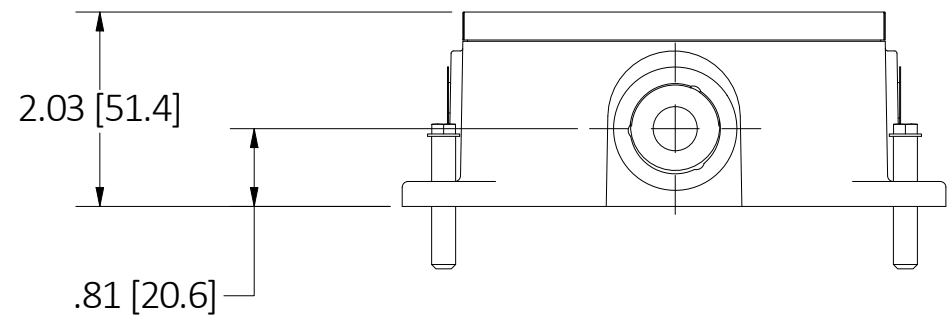
LIST OF PARTS

| DESCRIPTION | MATERIAL | FINISH |
|----------------------|-----------------|--------------------|
| SHALLOW BOX (1 GANG) | CAST IRON | GREEN |
| CLOSURE PLUG | STAINLESS STEEL | |
| SCREWS | STEEL | ZINC PLATE |
| COVER FRAME | THERMOPLASTIC | |
| LEVELING SCREW | STEEL | ZINC PLATE |
| CONCRETE COVER | TIN PLATE | |
| GROUND SCREW | STEEL | ZINC PLATE + GREEN |
| GR WIRE PIGTAIL | COPPER | - |
| | | |
| | | |
| | | |
| | | |
| | | |
| | | |
| | | |
| | | |
| | | |
| | | |

DIMENSION SHEET FOR CAT. NO. FB4114



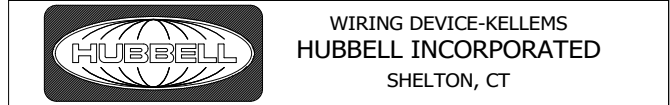
TOP VIEW
(PROTECTIVE CAP REMOVED)



| 1 | INITIAL RELEASE WITH DCN #211214015266 | SW | 12/22/21 |
|-----|--|-----|----------|
| REV | DESCRIPTION | APP | DATE |

THE DESIGN AND DIMENSIONS OF THE PRODUCT SHOWN ON THIS DRAWING ARE SUBJECT TO CHANGE WITHOUT NOTICE. DIMENSIONS ARE IN INCHES [mm].

TITLE
RECT FLOORBOX, CAST IRON, SHALLOW, 1-GANG



| | | |
|---|------------|---------------|
| TOLERANCES UNLESS OTHERWISE SPECIFIED .XX = ± .01 .XXX = ± .005 ANGLE TOL. ±2' | DR. BY PSV | SCALE 1 : 2 |
| | CHK. BY SW | DATE 12/22/21 |

- NOTES:
1) ALL DIMENSIONS ARE IN INCHES [MM].
2) ALL OPENINGS ARE CLOSED WITH A PLUG.

B

M14398

1

M14398

1

SHEET : 2 of 2

LIST OF PARTS

DESCRIPTION MATERIAL FINISH

Single Gang Flanges for FB4133, FB4114, FB2431, FB2421 Floor Boxes

Table with columns: Application, Flange Type, Aluminum, Brass, Clear Non-Metallic, Black Non-Metallic, Brown Non-Metallic, Gray Non-Metallic, Ivory Non-Metallic, Notes

Cover Variants for Single Gang Flanges : Pick 1 for FB4133, FB4114, FB2431, FB2421 Floor Boxes

Table with columns: Cover Type, Flange Cat. No., StyleLine/ decorator Flap, Duplex Flap, Duplex Screw, TR Duplex Screw, 2-1/8" x 3/4" Combination, 2-1/8" x 1" Combination, 2-1/8" Single Receptacle, Blank, Notes

Table with columns: REV, DESCRIPTION, APP, DATE

THE DESIGN AND DIMENSIONS OF THE PRODUCT SHOWN ON THIS DRAWING ARE SUBJECT TO CHANGE WITHOUT NOTICE. DIMENSIONS ARE IN INCHES [mm].

TITLE RECT FLOORBOX, CAST IRON, SHALLOW, 1-GANG

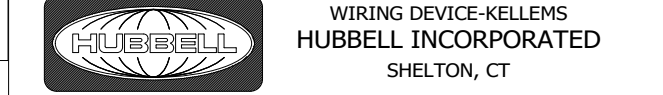


Table with columns: TOLERANCES UNLESS OTHERWISE SPECIFIED, DR. BY, PSV, SCALE, CHK. BY, SW, DATE, 22/12/21

CAGE CODE 74545

DIMENSION SHEET FOR CAT. NO. FB4114 B M14398 1