

M14399

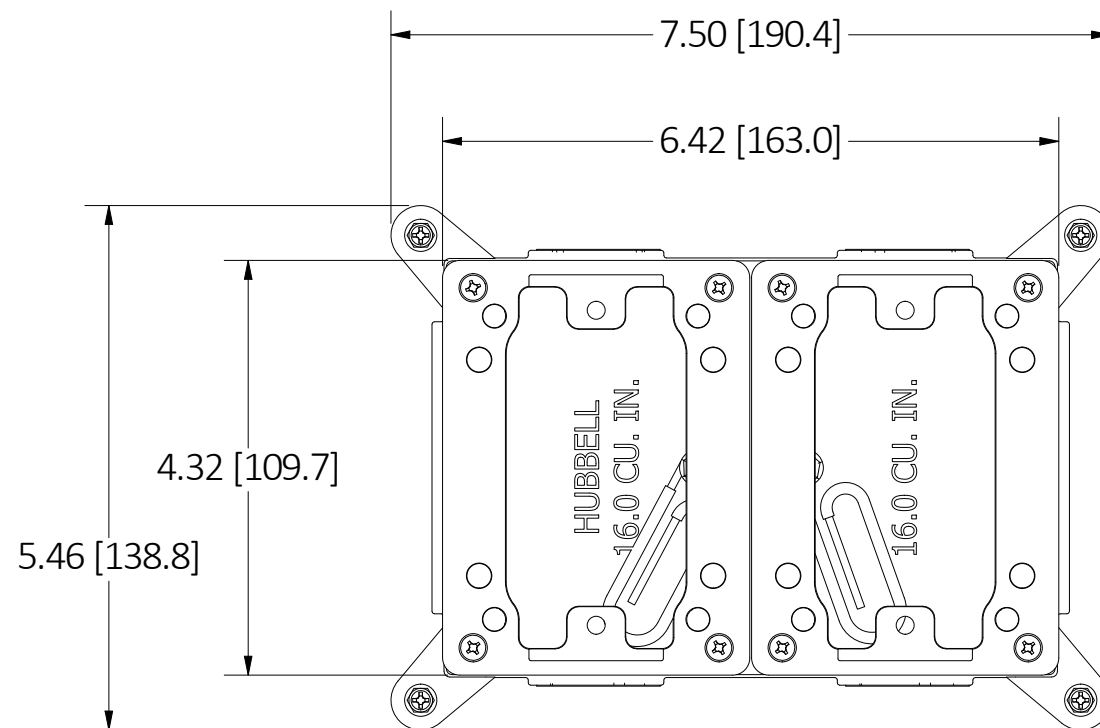
1

SHEET : 1 of 2

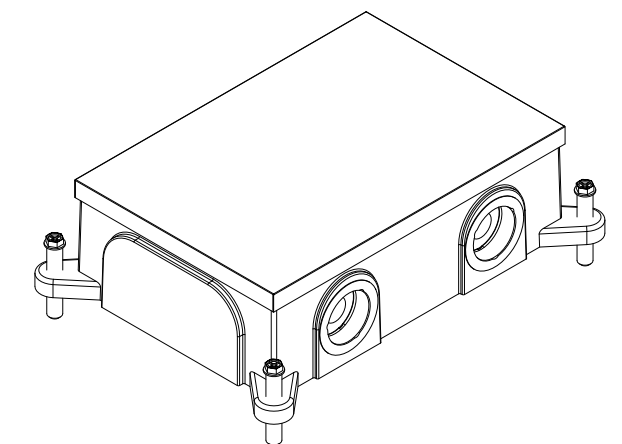
LIST OF PARTS

DESCRIPTION	MATERIAL	FINISH
SHALLOW BOX (2 GANG)	CAST IRON	GREEN
CLOSURE PLUG	STAINLESS STEEL	
SCREWS	STEEL	ZINC PLATE
COVER FRAME	THERMOPLASTIC	
LEVELING SCREW	STEEL	ZINC PLATE
CONCRETE COVER	TIN PLATE	
GROUND SCREW	STEEL	ZINC PLATE + GREEN
GR WIRE PIGTAIL	COPPER	-

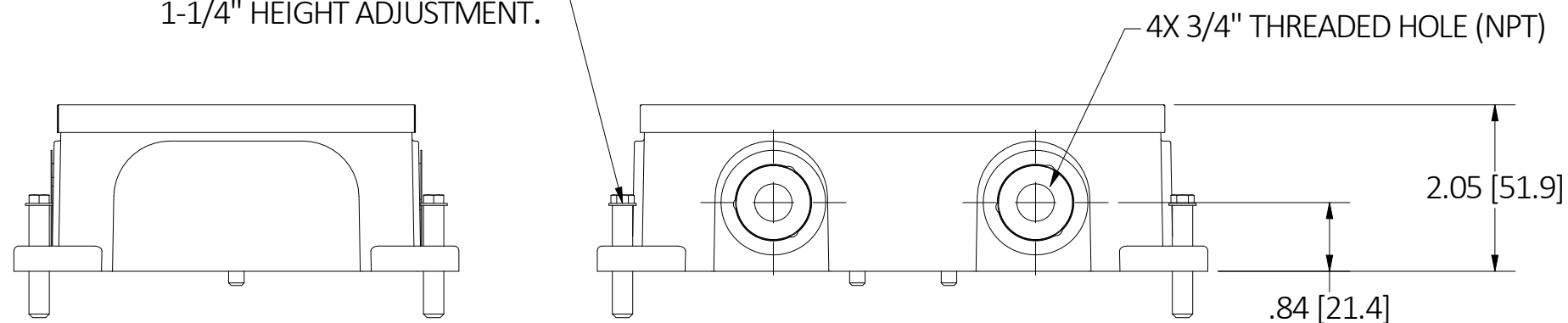
DIMENSION SHEET FOR CAT. NO. FB4214



TOP VIEW
(PROTECTIVE CAP REMOVED)



(4) LEVELING SCREWS WITH 1-1/4" HEIGHT ADJUSTMENT.

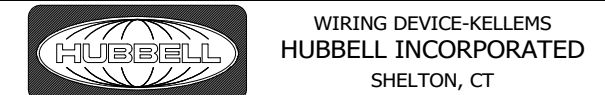


- NOTES:
 1) ALL DIMENSIONS ARE IN INCHES [MM].
 2) ALL OPENINGS ARE CLOSED WITH A PLUG.

1	INITIAL RELEASE WITH DCN #211214015266	SW	12/23/21
REV	DESCRIPTION	APP	DATE

THE DESIGN AND DIMENSIONS OF THE PRODUCT SHOWN ON THIS DRAWING ARE SUBJECT TO CHANGE WITHOUT NOTICE. DIMENSIONS ARE IN INCHES [mm].

TITLE
 RECT FLOORBOX, CAST IRON, SHALLOW, 2-GANG



TOLERANCES UNLESS OTHERWISE SPECIFIED .XX = ± .01 .XXX = ± .005 ANGLE TOL. ±2'	DR. BY PSV CHK. BY SW	SCALE 1 : 2 DATE 12/23/21
---	--------------------------	------------------------------

B

M14399

1

M14399

1

SHEET : 2 of 2

LIST OF PARTS

DESCRIPTION MATERIAL FINISH

2-Gang Flanges for FB4233, FB4214, FB2422, FB2432 Floor Boxes

Table with columns: Application, Flange Type, Aluminum, Brass, Clear Non-Metallic, Black Non-Metallic, Brown Non-Metallic, Gray Non-Metallic, Ivory Non-Metallic, Notes. Rows include Carpeting, Hard Surface, and Flush-Tile/Finished Concrete.

Cover Variants for 2 Gang Flanges : Pick 2 Covers for FB4233, FB4214, FB2422, FB2432 Floor Boxes

Table with columns: Cover Type, Flange Cat. No., StyleLine/decorator Flap, Duplex Flap, Duplex Screw, TR Duplex Screw, 2-1/8" x 3/4" Combination, 2-1/8" x 1" Combination, 2-1/8" Single Receptacle, Blank, Notes. Rows include Aluminum, Brass, and Black Non-Metallic variants.

Revision table with columns: REV, DESCRIPTION, APP, DATE. Row 1: INITIAL RELEASE WITH DCN #211214015266, SW, 12/23/21.

THE DESIGN AND DIMENSIONS OF THE PRODUCT SHOWN ON THIS DRAWING ARE SUBJECT TO CHANGE WITHOUT NOTICE. DIMENSIONS ARE IN INCHES [mm].

TITLE RECT FLOORBOX, CAST IRON, SHALLOW, 2-GANG

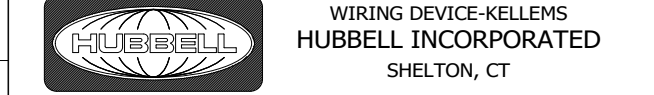


Table with columns: TOLERANCES UNLESS OTHERWISE SPECIFIED, DR. BY, PSV, SCALE, CHK. BY, SW, DATE. Values include .XX = ± .01, .XXX = ± .005, ANGLE TOL. ±2', and DATE 12/23/21.

DIMENSION SHEET FOR CAT. NO. FB4214

B

M14399

1