

M-14401

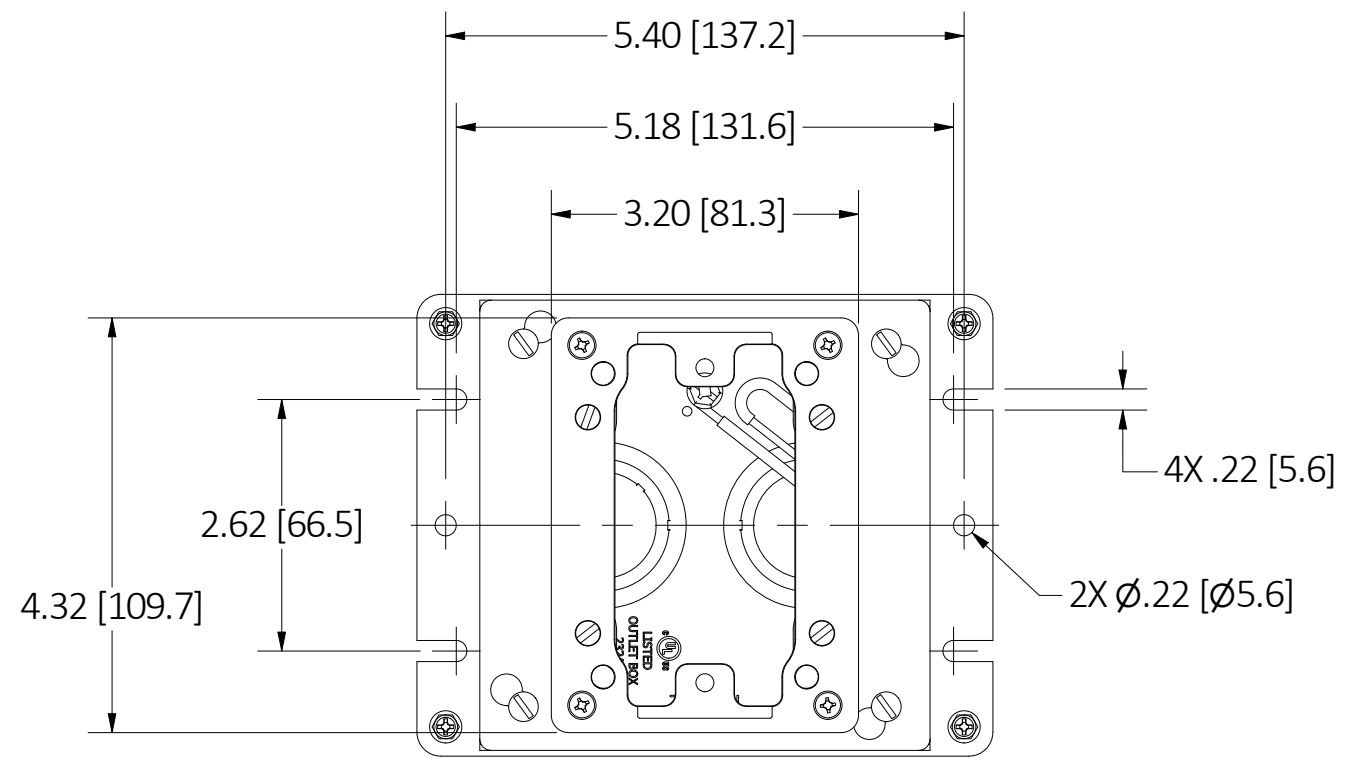
1

SHEET : 1 of 2

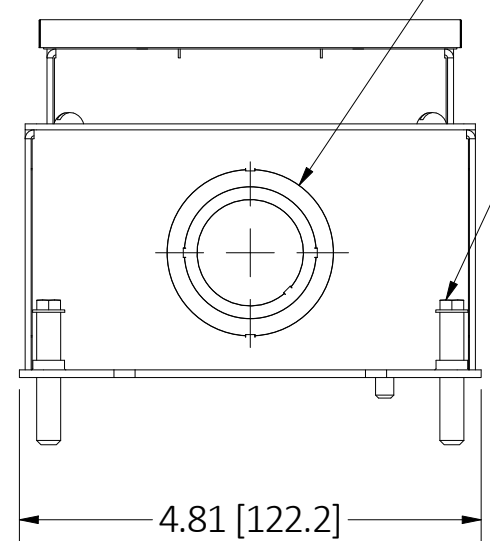
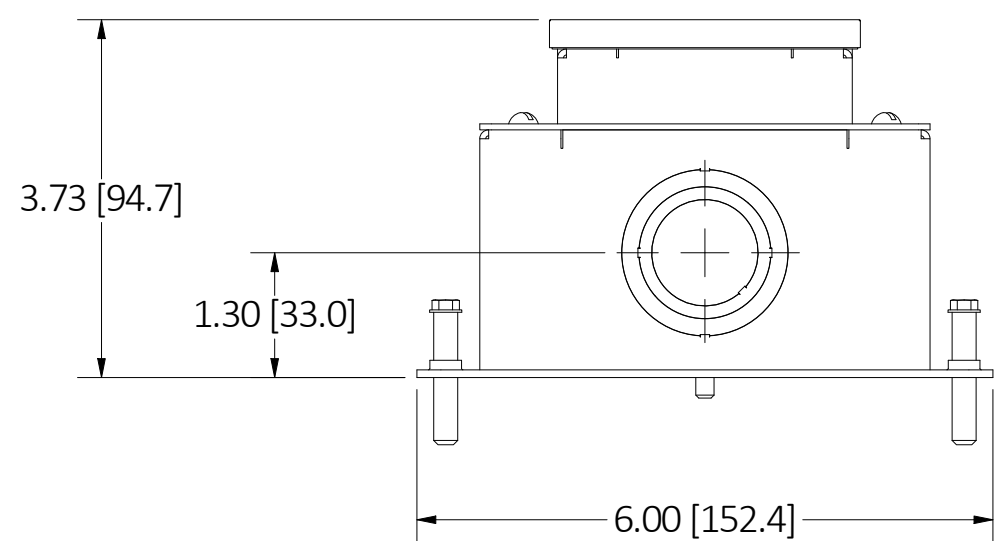
LIST OF PARTS

DESCRIPTION	MATERIAL	FINISH
DEEP STAMP STEEL BOX (1 GANG)	GALV. STEEL	-
SCREWS	STEEL	ZINC PLATE
ADAPTER	STEEL	ZINC PLATE
ADJUSTABLE COLLAR	GALV. STEEL	-
COVER FRAME	THERMOPLASTIC	-
LEVELING SCREW	STEEL	ZINC PLATE
GROUND SCREW	STEEL	ZINC PLATE + GREEN
CONCRETE COVER	TIN PLATE	
GR WIRE PIGTAIL	COPPER	-

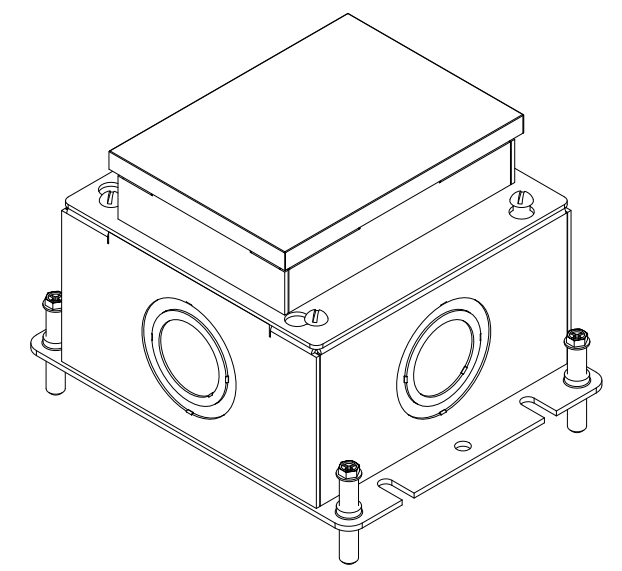
DIMENSION SHEET FOR CAT. NO. FB2431



TOP VIEW
(PROTECTIVE CAP REMOVED)



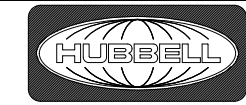
(4) LEVELING SCREWS WITH 1-1/4" HEIGHT ADJUSTMENT PROVIDED.



1	INITIAL RELEASE WITH DCN#211214015266	SW	3/24/22
REV	DESCRIPTION	APP	DATE

THE DESIGN AND DIMENSIONS OF THE PRODUCT SHOWN ON THIS DRAWING ARE SUBJECT TO CHANGE WITHOUT NOTICE. DIMENSIONS ARE IN INCHES [mm].

TITLE
RECT FLOORBOX, STAMP STEEL, DEEP, 1-G



WIRING DEVICE-KELLEMS
HUBBELL INCORPORATED
SHELTON, CT

TOLERANCES UNLESS OTHERWISE SPECIFIED .XX = ± .01 .XXX = ± .005 ANGLE TOL. ±2'	DR. BY PSV	SCALE 1 : 2
	CHK. BY SW	DATE 3/24/22

- NOTES:
- ALL DIMENSIONS ARE IN INCHES [MM].
 - 1/2 INCH PRE/ POST POUR COLLAR ADJUSTMENT

B

M-14401

1

M-14401

1

SHEET : 2 of 2

LIST OF PARTS

DESCRIPTION MATERIAL FINISH

Single Gang Flanges for FB4133, FB4114, FB2431, FB2421 Floor Boxes

Table with columns: Application, Flange Type, Aluminum, Brass, Clear Non-Metallic, Black Non-Metallic, Brown Non-Metallic, Gray Non-Metallic, Ivory Non-Metallic, Notes

Cover Variants for Single Gang Flanges : Pick 1 for FB4133, FB4114, FB2431, FB2421 Floor Boxes

Table with columns: Cover Type, Flange Cat. No., StyleLine/ decorator Flap, Duplex Flap, Duplex Screw, TR Duplex Screw, 2-1/8" x 3/4" Combination, 2-1/8" x 1" Combination, 2-1/8" Single Receptacle, Blank, Notes

Table with columns: REV, DESCRIPTION, APP, DATE

THE DESIGN AND DIMENSIONS OF THE PRODUCT SHOWN ON THIS DRAWING ARE SUBJECT TO CHANGE WITHOUT NOTICE. DIMENSIONS ARE IN INCHES [mm].

TITLE RECT FLOORBOX, STAMP STEEL, DEEP, 1-G

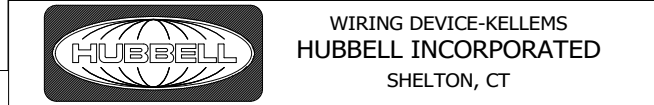


Table with columns: TOLERANCES UNLESS OTHERWISE SPECIFIED, DR. BY, PSV, SCALE, CHK. BY, SW, DATE, 3/24/22

DIMENSION SHEET FOR CAT. NO. FB2431

B

M-14401

1