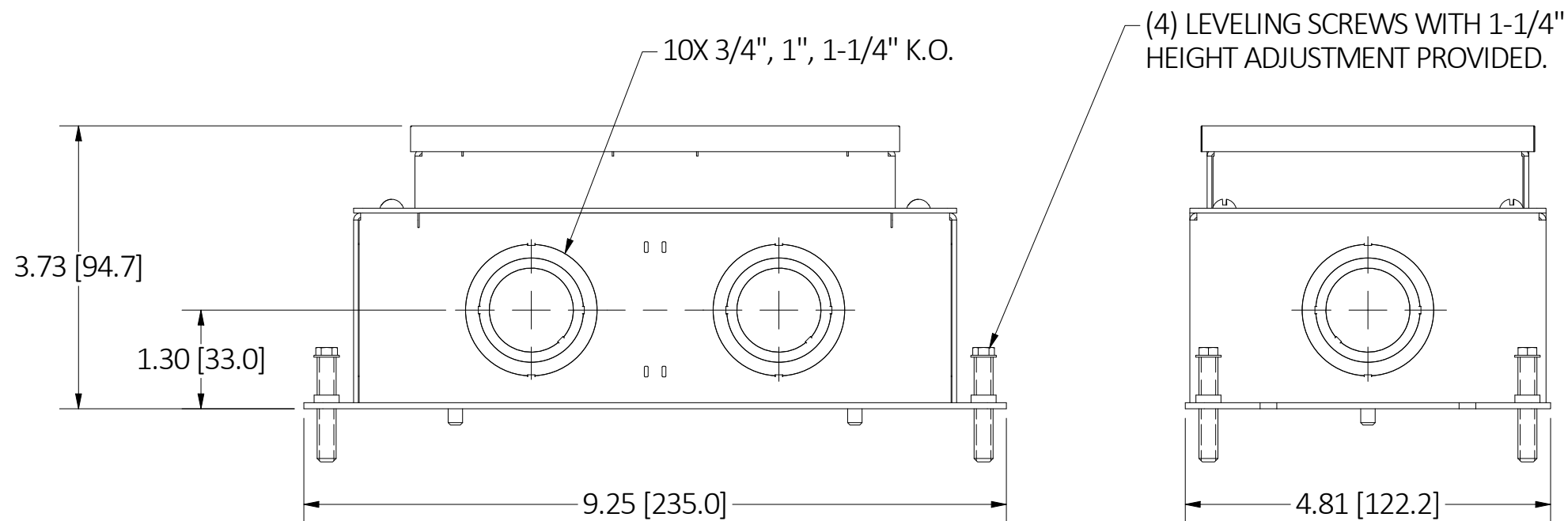
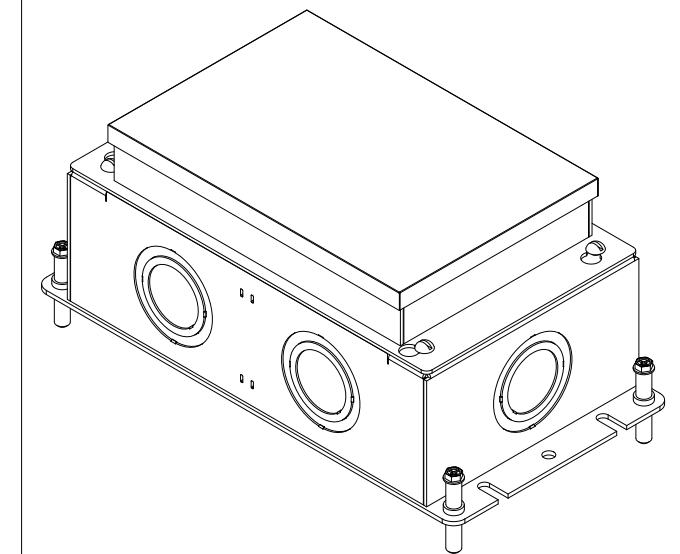


TOP VIEW
(PROTECTIVE CAP REMOVED)



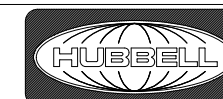
- NOTES:
1. ALL DIMENSIONS ARE IN INCHES [MM].
 2. 1/2 INCH PRE/ POST POUR COLLAR ADJUSTMENT.



1	INITIAL RELEASE WITH DCN #211214015266	SW	3/30/22
REV	DESCRIPTION	APP	DATE

THE DESIGN AND DIMENSIONS OF THE PRODUCT SHOWN ON THIS DRAWING ARE SUBJECT TO CHANGE WITHOUT NOTICE. DIMENSIONS ARE IN INCHES [mm].

TITLE
RECT FLOORBOX, STAMP STEEL, DEEP, 2-G



WIRING DEVICE-KELLEMS
HUBBELL INCORPORATED
SHELTON, CT

TOLERANCES UNLESS OTHERWISE SPECIFIED .XX = ± .01 .XXX = ± .005 ANGLE TOL. ±2'	DR. BY PSV	SCALE 1:2
	CHK. BY SW	DATE 3/30/22

