

M-14403

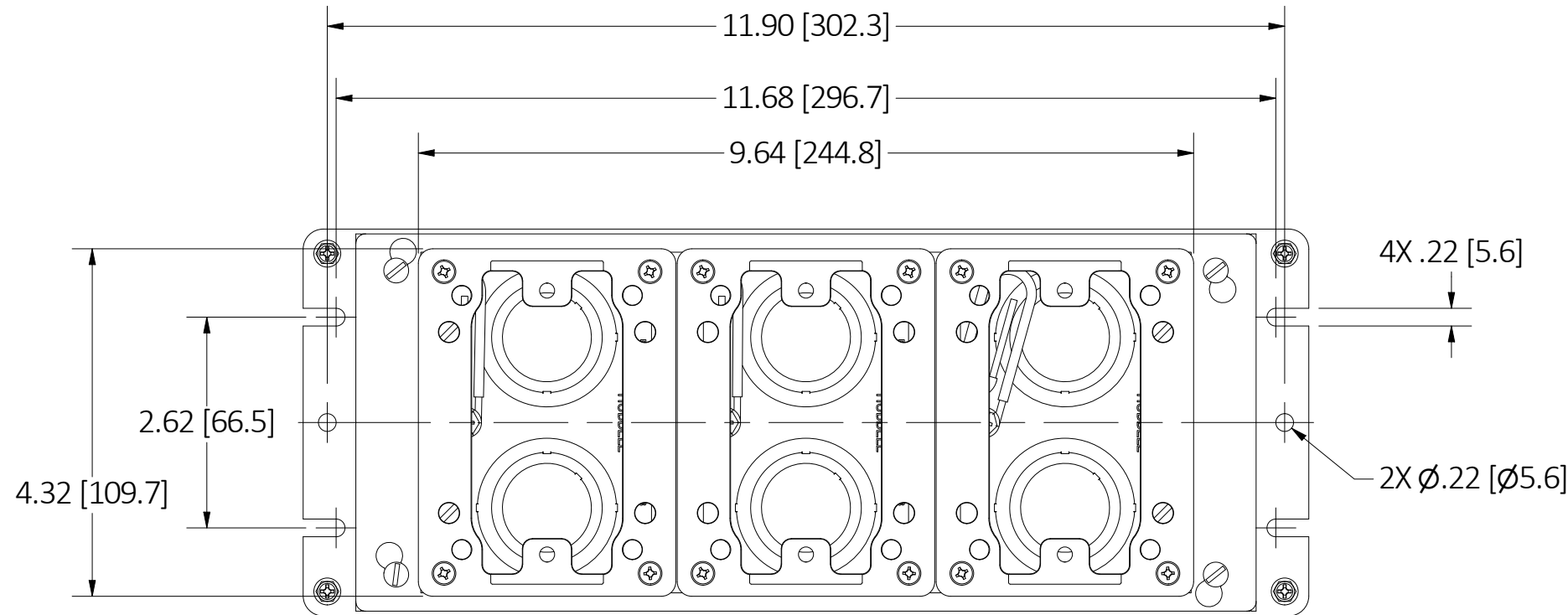
1

SHEET : 1 of 2

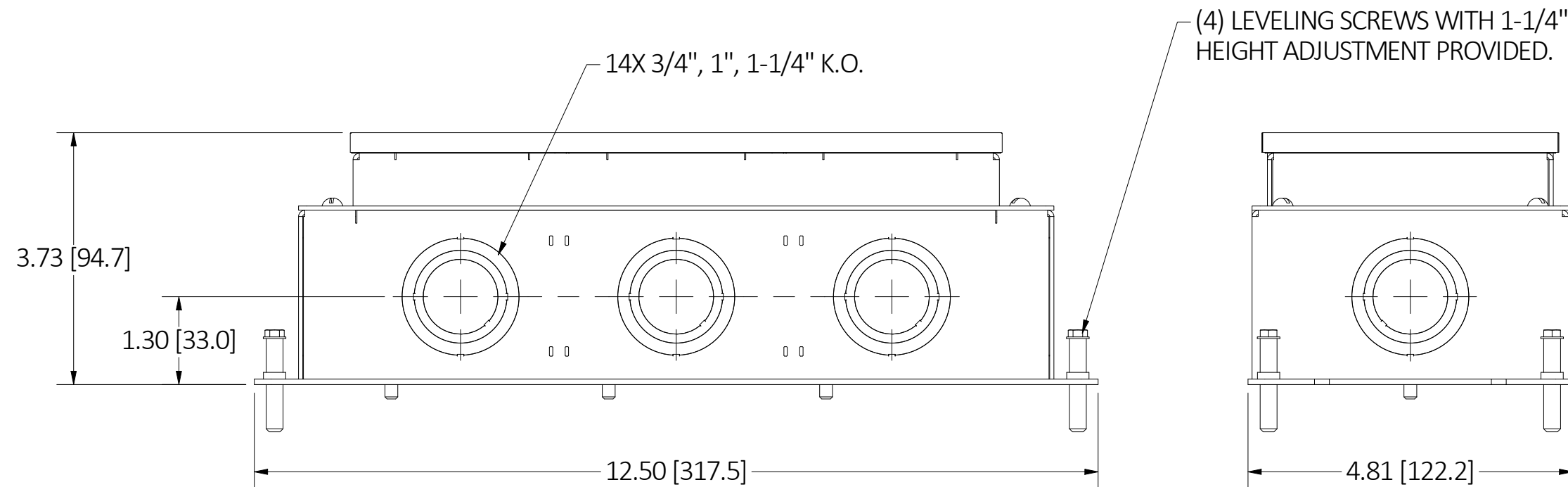
LIST OF PARTS

DESCRIPTION	MATERIAL	FINISH
DEEP STAMP STEEL BOX (3 GANG)	GALV. STEEL	-
SCREWS	STEEL	ZINC PLATE
ADAPTER	STEEL	ZINC PLATE
ADJUSTABLE COLLAR	GALV. STEEL	-
DIVIDER	GALV. STEEL	-
COVER FRAME	THERMOPLASTIC	-
LEVELING SCREW	STEEL	ZINC PLATE
GROUND SCREW	STEEL	ZINC PLATE + GREEN
CONCRETE COVER	TIN PLATE	-
GR WIRE PIGTAIL	COPPER	-

DIMENSION SHEET FOR CAT. NO. FB2433

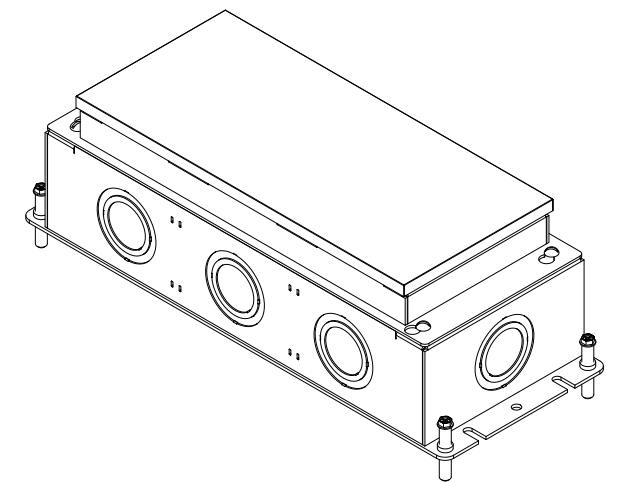


TOP VIEW  
(PROTECTIVE CAP REMOVED)



NOTES:

- ALL DIMENSIONS ARE IN INCHES [MM].
- 1/2 INCH PRE/ POST POUR COLLAR ADJUSTMENT.



1	INITIAL RELEASE WITH DCN #211214015266	SW	3/30/22
REV	DESCRIPTION	APP	DATE

THE DESIGN AND DIMENSIONS OF THE PRODUCT SHOWN ON THIS DRAWING ARE SUBJECT TO CHANGE WITHOUT NOTICE. DIMENSIONS ARE IN INCHES [mm].

TITLE  
RECT FLOORBOX, STAMP STEEL, DEEP, 3-G



WIRING DEVICE-KELLEMS  
HUBBELL INCORPORATED  
SHELTON, CT

TOLERANCES UNLESS OTHERWISE SPECIFIED  
.XX = ± .01  
.XXX = ± .005  
ANGLE TOL. ±2'

DR. BY	PSV	SCALE	1 : 2
CHK. BY	SW	DATE	3/30/22

B

M-14403

1

3-Gang Flanges for FB4333, FB4314, FB2433, FB2423 Floor Boxes

Table with columns: Application, Flange Type, Aluminum, Brass, Clear Non-Metallic, Black Non-Metallic, Brown Non-Metallic, Gray Non-Metallic, Ivory Non-Metallic, Notes. Rows include Carpeting, Hard Surface, Flush-Tile/Finished Concrete.

Cover Variants for 3 Gang Flanges : Pick 3 Covers for FB4333, FB4314, FB2433, FB2423 Floor Boxes

Table with columns: Cover Type, Flange Cat. No., StyleLine/decorator Flap, Duplex Flap, Duplex Screw, TR Duplex Screw, 2-1/8" x 3/4" Combination, 2-1/8" x 1" Combination, 2-1/8" Single Receptacle, Blank, Notes. Includes a revision table and a disclaimer.



DIMENSION SHEET FOR CAT. NO. FB2433

B

M-14403

1