

M-14404

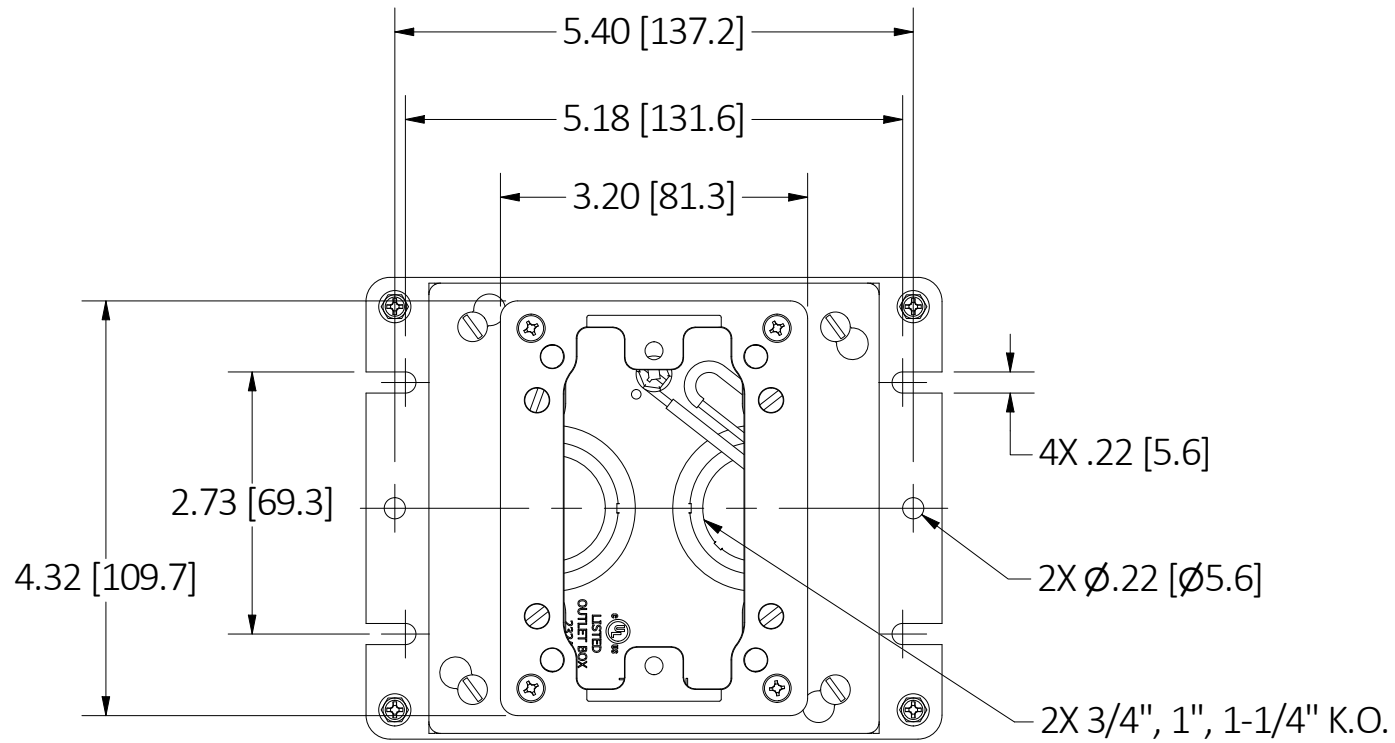
1

SHEET : 1 of 2

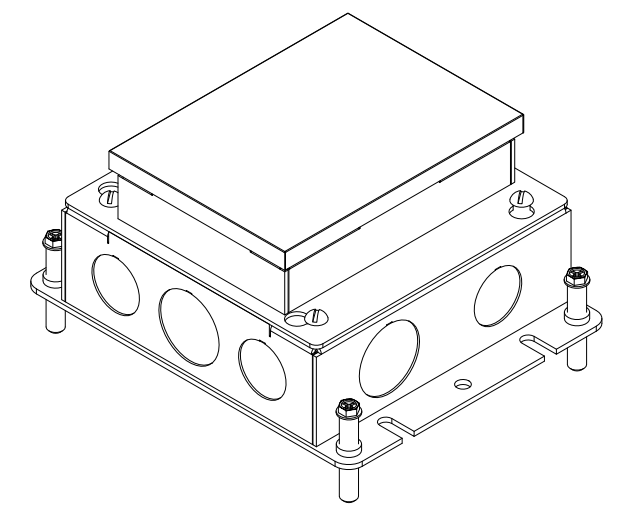
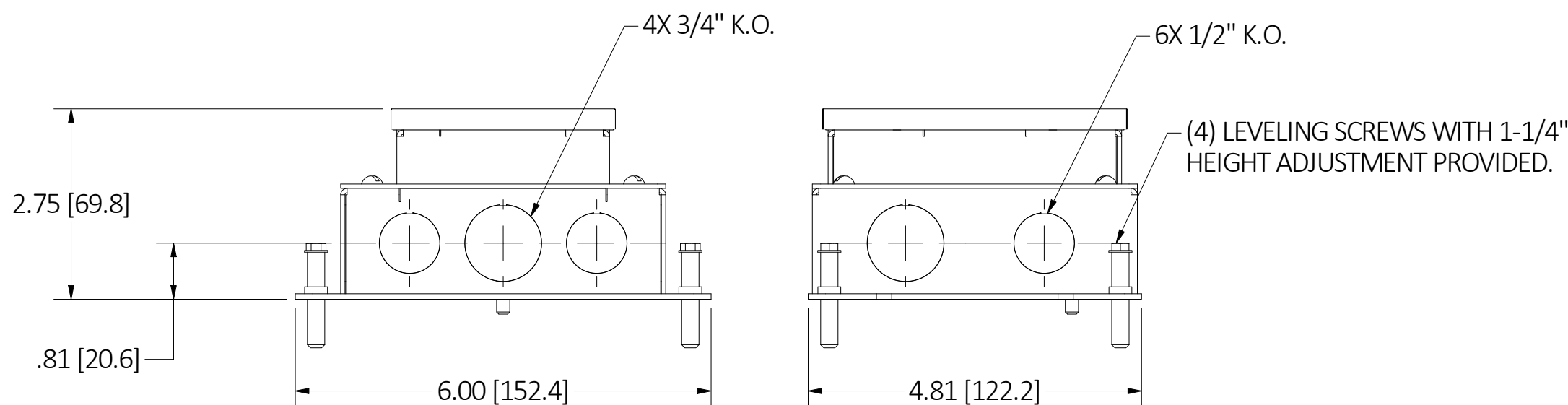
LIST OF PARTS

DESCRIPTION	MATERIAL	FINISH
SHALLOW STAMP STEEL BOX (1 GANG)	GALV. STEEL	-
SCREWS	STEEL	ZINC PLATE
ADAPTER	STEEL	ZINC PLATE
ADJUSTABLE COLLAR	GALV. STEEL	-
COVER FRAME	THERMOPLASTIC	-
LEVELING SCREW	STEEL	ZINC PLATE
GROUND SCREW	STEEL	ZINC PLATE + GREEN
CONCRETE COVER	TIN PLATE	-
GR WIRE PIGTAIL	COPPER	-

DIMENSION SHEET FOR CAT. NO. FB2421



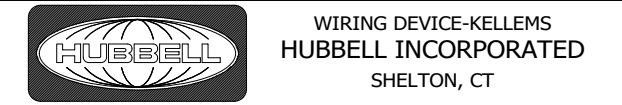
TOP VIEW
(PROTECTIVE CAP REMOVED)



1	INITIAL RELEASE WITH DCN#211214015266	SW	3/24/22
REV	DESCRIPTION	APP	DATE

THE DESIGN AND DIMENSIONS OF THE PRODUCT SHOWN ON THIS DRAWING ARE SUBJECT TO CHANGE WITHOUT NOTICE. DIMENSIONS ARE IN INCHES [mm].

TITLE
RECT FLOORBOX, STAMP STEEL, SHALLOW, 1-G



TOLERANCES UNLESS OTHERWISE SPECIFIED .XX = ± .01 .XXX = ± .005 ANGLE TOL. ±2'	DR. BY PSV CHK. BY SW	SCALE 1 : 2 DATE 3/24/22
---	--------------------------	-----------------------------

- NOTES:
1. ALL DIMENSIONS ARE IN INCHES [MM].
2. 1/2 INCH PRE/ POST POUR COLLAR ADJUSTMENT

B

M-14404

1

