

M-14405

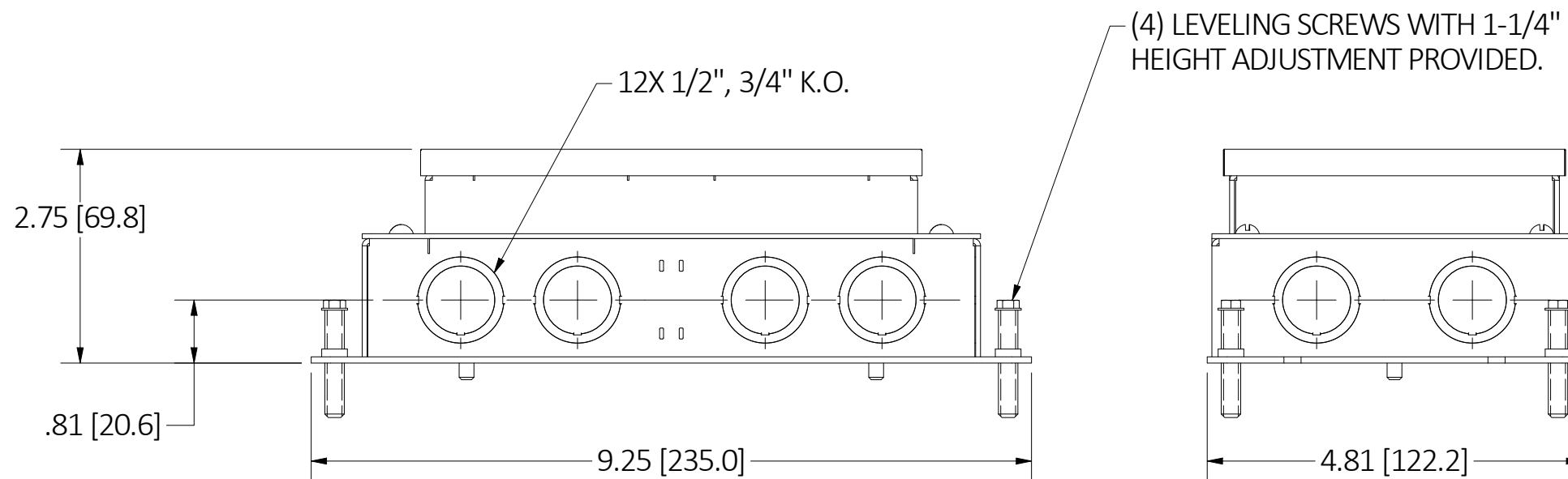
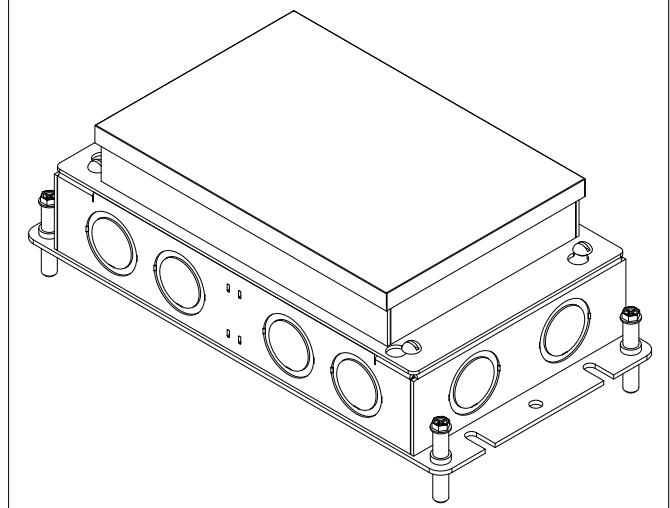
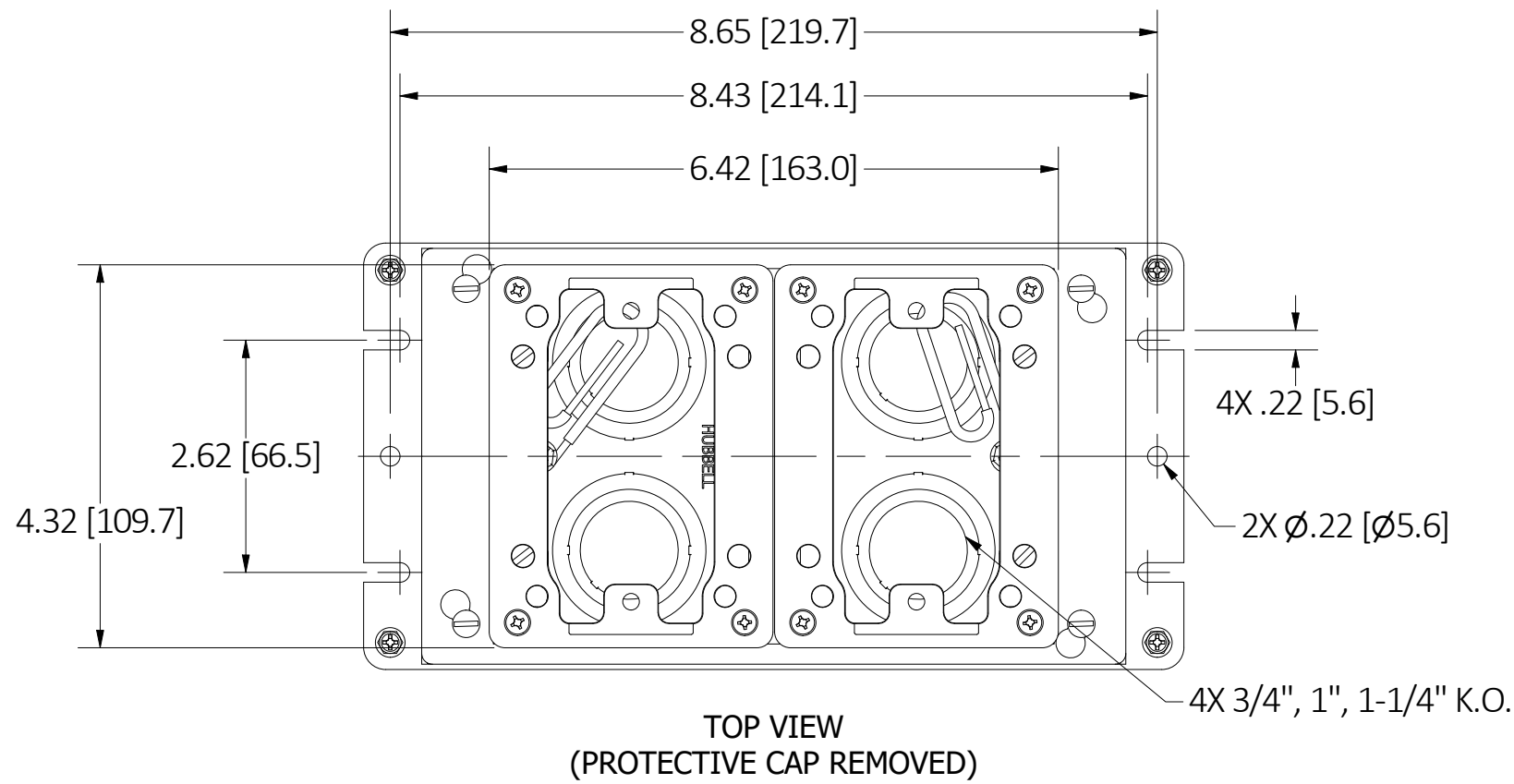
1

SHEET : 1 of 2

LIST OF PARTS

DESCRIPTION	MATERIAL	FINISH
SHALLOW STAMP STEEL BOX (2 GANG)	GALV. STEEL	-
SCREWS	STEEL	ZINC PLATE
ADAPTER	STEEL	ZINC PLATE
ADJUSTABLE COLLAR	GALV. STEEL	-
DIVIDER	GALV. STEEL	-
COVER FRAME	THERMOPLASTIC	-
LEVELING SCREW	STEEL	ZINC PLATE
GROUND SCREW	STEEL	ZINC PLATE + GREEN
CONCRETE COVER	TIN PLATE	-
GR WIRE PIGTAIL	COPPER	-

DIMENSION SHEET FOR CAT. NO. FB2422



NOTES:

1. ALL DIMENSIONS ARE IN INCHES [MM].
2. 1/2 INCH PRE/ POST POUR COLLAR ADJUSTMENT.

1	INITIAL RELEASE WITH DCN #211214015266	SW	3/30/22
REV	DESCRIPTION	APP	DATE

THE DESIGN AND DIMENSIONS OF THE PRODUCT SHOWN ON THIS DRAWING ARE SUBJECT TO CHANGE WITHOUT NOTICE. DIMENSIONS ARE IN INCHES [mm].

TITLE
RECT FLOORBOX, STAMP STEEL, SHALLOW, 2-G



WIRING DEVICE-KELLEMS
HUBBELL INCORPORATED
SHELTON, CT

TOLERANCES UNLESS OTHERWISE SPECIFIED .XX = ± .01 .XXX = ± .005 ANGLE TOL. ±2'	DR. BY PSV	SCALE 1:2
	CHK. BY SW	DATE 3/30/22

B

M-14405

1

2-Gang Flanges for FB4233, FB4214, FB2422, FB2432 Floor Boxes

Table with columns: Application, Flange Type, Aluminum, Brass, Clear Non-Metallic, Black Non-Metallic, Brown Non-Metallic, Gray Non-Metallic, Ivory Non-Metallic, Notes. Rows include Carpeting, Hard Surface, and Flush-Tile/Finished Concrete.

Cover Variants for 2 Gang Flanges : Pick 2 Covers for FB4233, FB4214, FB2422, FB2432 Floor Boxes

Table with columns: Cover Type, Flange Cat. No., StyleLine/decorator Flap, Duplex Flap, Duplex Screw, TR Duplex Screw, 2-1/8" x 3/4" Combination, 2-1/8" x 1" Combination, 2-1/8" Single Receptacle, Blank, Notes. Rows list various material and style combinations.

Revision table with columns: REV, DESCRIPTION, APP, DATE. Row 1: INITIAL RELEASE WITH DCN #211214015266, SW, 3/30/22.

THE DESIGN AND DIMENSIONS OF THE PRODUCT SHOWN ON THIS DRAWING ARE SUBJECT TO CHANGE WITHOUT NOTICE. DIMENSIONS ARE IN INCHES [mm].

TITLE RECT FLOORBOX, STAMP STEEL, SHALLOW, 2-G

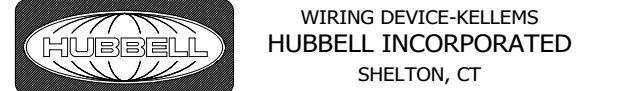


Table with columns: TOLERANCES UNLESS OTHERWISE SPECIFIED, DR. BY, PSV, SCALE, CHK. BY, SW, DATE, 3/30/22.

DIMENSION SHEET FOR CAT. NO. FB2422

B

M-14405

1