

M-14406

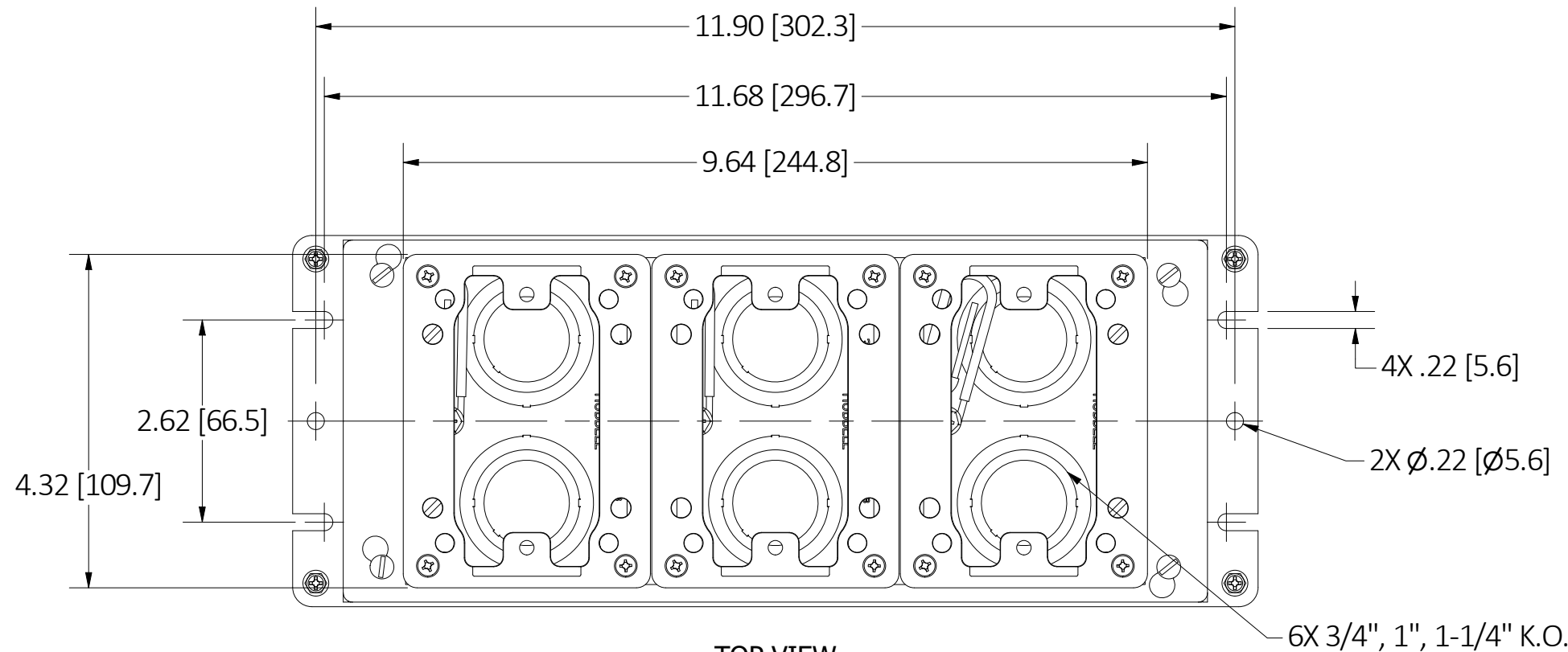
1

SHEET : 1 of 2

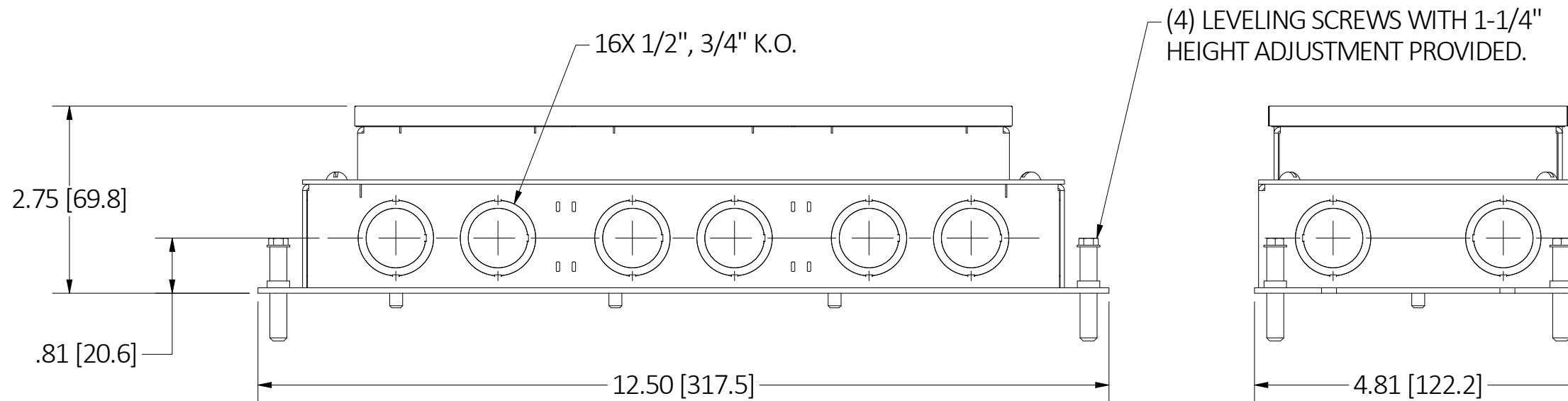
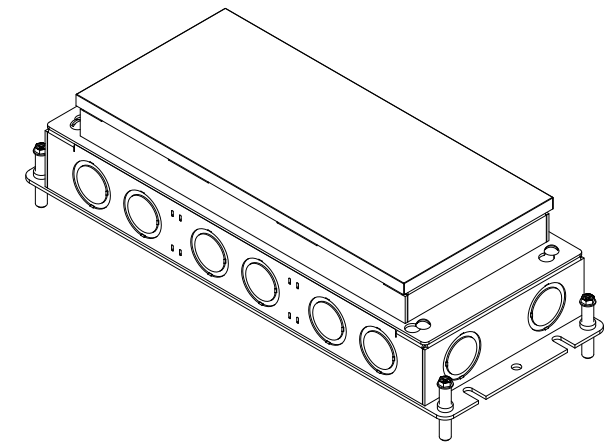
LIST OF PARTS

DESCRIPTION	MATERIAL	FINISH
SHALLOW STAMP STEEL BOX (3 GANG)	GALV. STEEL	-
SCREWS	STEEL	ZINC PLATE
ADAPTER	STEEL	ZINC PLATE
ADJUSTABLE COLLAR	GALV. STEEL	-
DIVIDER	GALV. STEEL	-
COVER FRAME	THERMOPLASTIC	-
LEVELING SCREW	STEEL	ZINC PLATE
GROUND SCREW	STEEL	ZINC PLATE + GREEN
CONCRETE COVER	TIN PLATE	-
GR WIRE PIGTAIL	COPPER	-

DIMENSION SHEET FOR CAT. NO. FB2423



TOP VIEW  
(PROTECTIVE CAP REMOVED)



NOTES:

- ALL DIMENSIONS ARE IN INCHES [MM].
- 1/2 INCH PRE/ POST POUR COLLAR ADJUSTMENT.

1	INITIAL RELEASE WITH DCN #211214015266	SW	3/30/22
REV	DESCRIPTION	APP	DATE

THE DESIGN AND DIMENSIONS OF THE PRODUCT SHOWN ON THIS DRAWING ARE SUBJECT TO CHANGE WITHOUT NOTICE. DIMENSIONS ARE IN INCHES [mm].

TITLE  
RECT FLOORBOX, STAMP STEEL, SHALLOW, 3-G



WIRING DEVICE-KELLEMS  
HUBBELL INCORPORATED  
SHELTON, CT

TOLERANCES UNLESS OTHERWISE SPECIFIED .XX = ± .01 .XXX = ± .005 ANGLE TOL. ±2'	DR. BY PSV	SCALE 1 : 2
	CHK. BY SW	DATE 3/30/22

B

M-14406

1

M-14406

1

SHEET : 2 of 2

LIST OF PARTS

DESCRIPTION MATERIAL FINISH

3-Gang Flanges for FB4333, FB4314, FB2433, FB2423 Floor Boxes

Table with columns: Application, Flange Type, Aluminum, Brass, Clear Non-Metallic, Black Non-Metallic, Brown Non-Metallic, Gray Non-Metallic, Ivory Non-Metallic, Notes. Rows include Carpeting, Hard Surface, and Flush-Tile/Finished Concrete.

Cover Variants for 3 Gang Flanges : Pick 3 Covers for FB4333, FB4314, FB2433, FB2423 Floor Boxes

Main table with columns: Cover Type, Flange Cat. No., StyleLine/decorator Flap, Duplex Flap, Duplex Screw, TR Duplex Screw, 2-1/8" x 3/4" Combination, 2-1/8" x 1" Combination, 2-1/8" Single Receptacle, Blank, Notes. Includes a revision table and a title block.

DIMENSION SHEET FOR CAT. NO. FB2423 B M-14406 1



WIRING DEVICE-KELLEMS HUBBELL INCORPORATED SHELTON, CT

TOLERANCES UNLESS OTHERWISE SPECIFIED .XX = ± .01 .XXX = ± .005 ANGLE TOL. ±2°

DR. BY PSV SCALE CHK. BY SW DATE 3/30/22