

M-14407

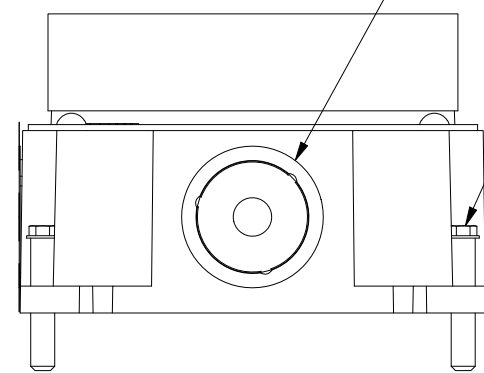
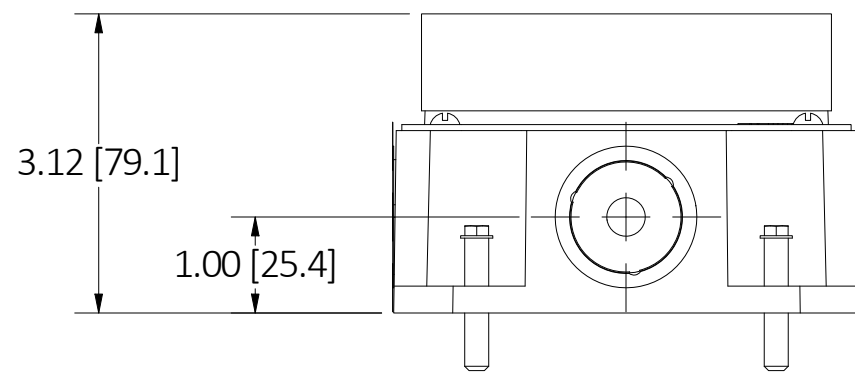
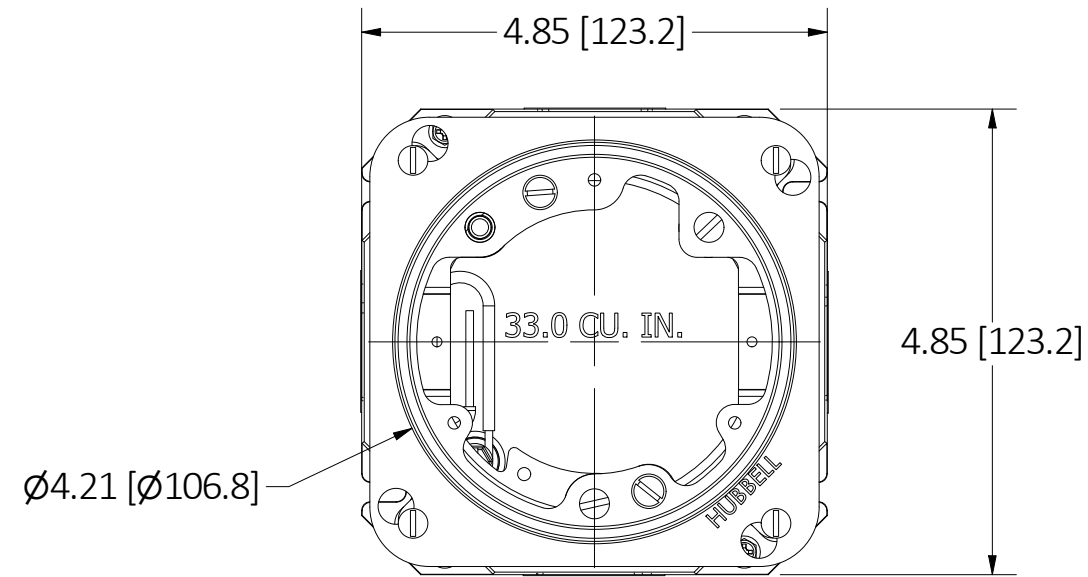
1

SHEET : 1 of 2

LIST OF PARTS

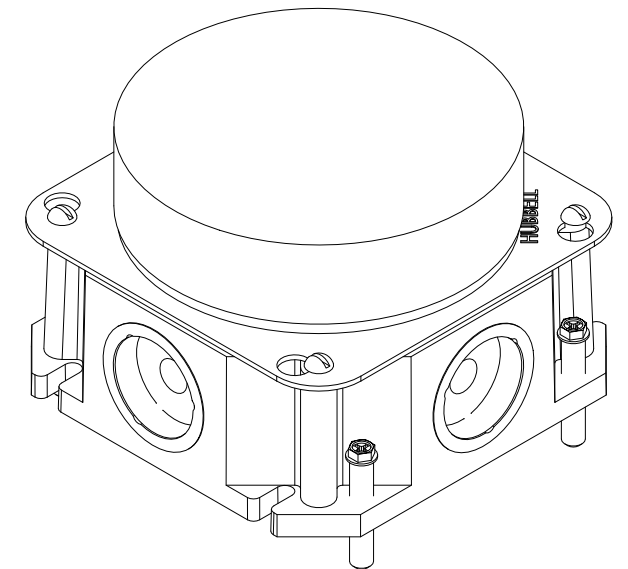
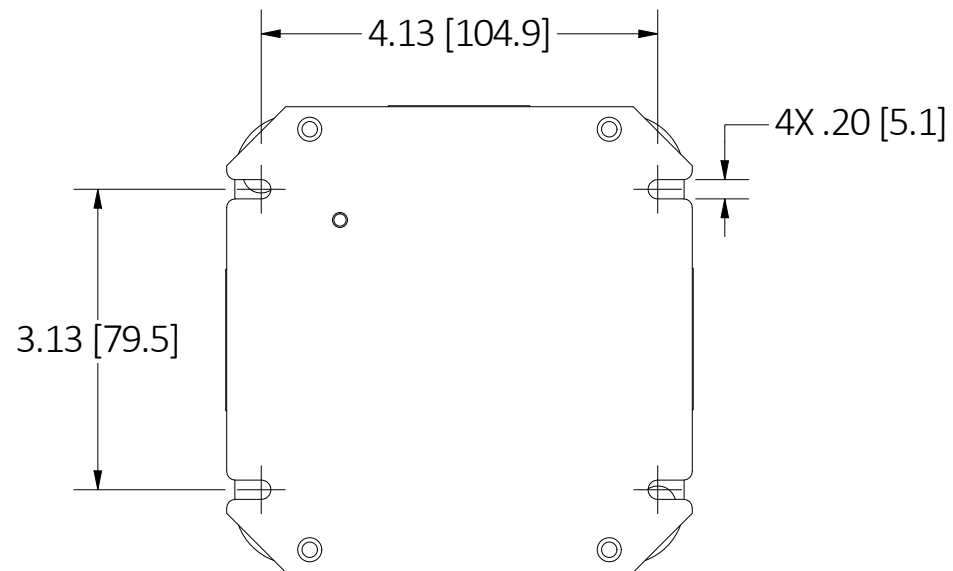
DESCRIPTION	MATERIAL	FINISH
DEEP BOX (1 GANG)	CAST IRON	GREEN
CLOSURE PLUG	STAINLESS STEEL	
SCREWS	STEEL	ZINC PLATE
ADAPTER	GALV. STEEL	GREEN
ADJUSTABLE COLLAR	GALV. STEEL	GREEN
COVER FLANGE	GALV. STEEL	
LEVELING SCREW	STEEL	ZINC PLATE
GROUND SCREW	STEEL	ZINC PLATE + GREEN
CONCRETE COVER	TIN PLATE	
REDUCING BUSHING	STEEL	ZINC PLATE
GR WIRE PIGTAIL	COPPER	

DIMENSION SHEET FOR CAT. NO. FB2536



4X 1" THREADED HOLE (NPT)

(4) LEVELING SCREWS WITH 1-1/4" HEIGHT ADJUSTMENT PROVIDED.



1	INITIAL RELEASE WITH DCN #211214015266	SW	2/23/22
REV	DESCRIPTION	APP	DATE

THE DESIGN AND DIMENSIONS OF THE PRODUCT SHOWN ON THIS DRAWING ARE SUBJECT TO CHANGE WITHOUT NOTICE. DIMENSIONS ARE IN INCHES [mm].

TITLE

ROUND, CAST IRON, DEEP, 1-G



WIRING DEVICE-KELLEMS
HUBBELL INCORPORATED
SHELTON, CT

TOLERANCES UNLESS OTHERWISE SPECIFIED
.XX = ± .01
.XXX = ± .005
ANGLE TOL. ±2'

DR. BY PSV
CHK. BY SW

SCALE 1 : 2
DATE 2/23/22

NOTES:

1. ALL DIMENSIONS ARE IN INCHES [MM].
2. ALL OPENINGS ARE CLOSED WITH A PLUG.
3. INCLUDES (2) 1" TO 3/4" REDUCING BUSHINGS.

B

M-14407

1

