

M-14408

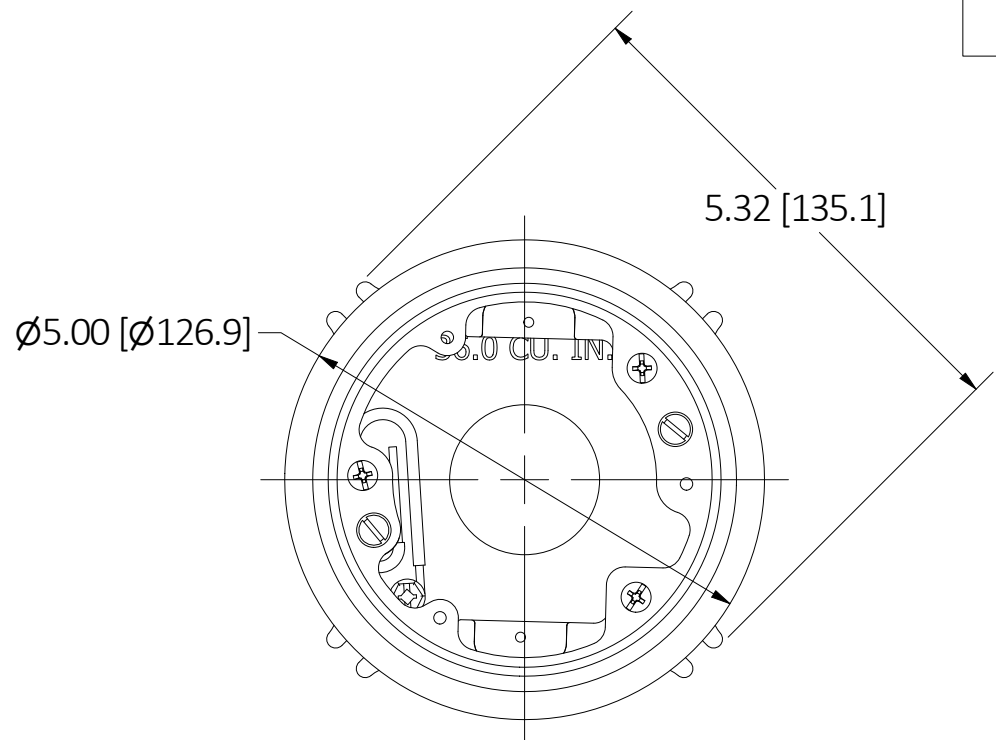
1

SHEET : 1 of 2

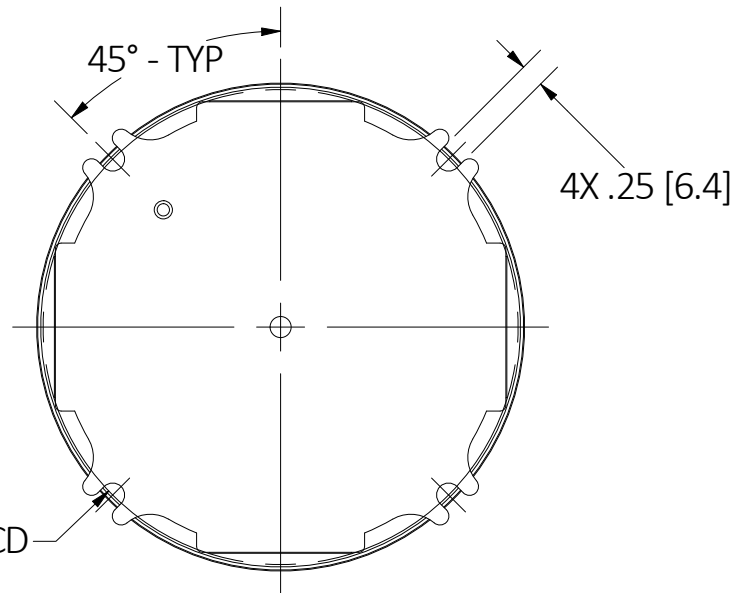
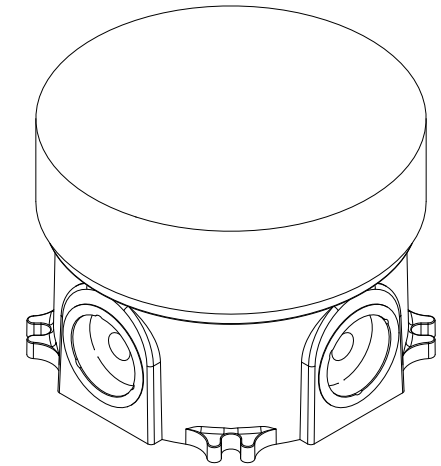
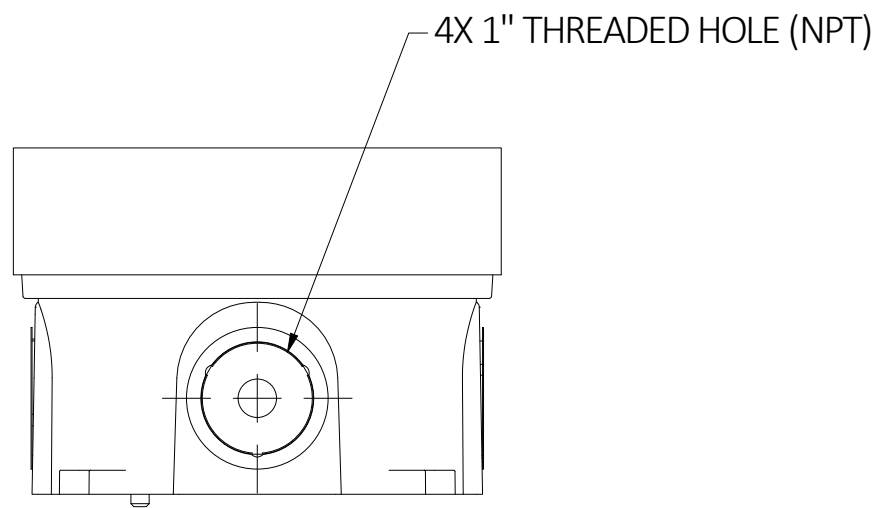
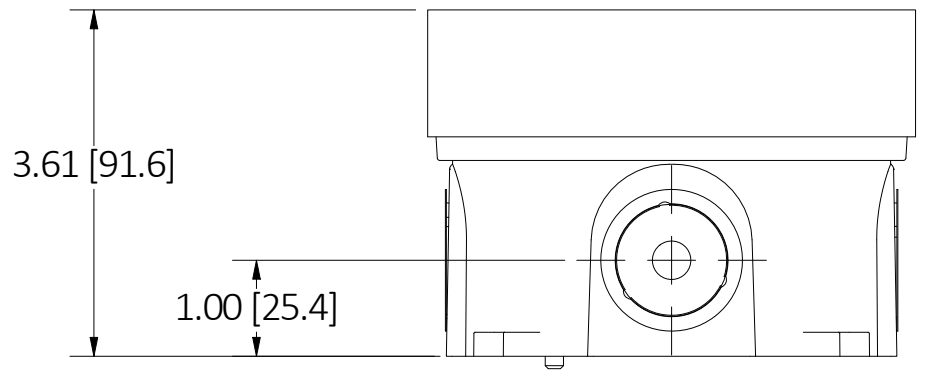
LIST OF PARTS

DESCRIPTION	MATERIAL	FINISH
DEEP ROUND BOX (1 GANG)	CAST IRON	GREEN
CLOSURE PLUG	STAINLESS STEEL	
SCREWS	STEEL	ZINC PLATE
ADJUSTABLE COLLAR	CAST IRON	GREEN
COVER FLANGE	GALV. STEEL	
GROUND SCREW	STEEL	ZINC PLATE + GREEN
CONCRETE COVER	TIN PLATE	
REDUCING BUSHING	STEEL	ZINC PLATE
GR WIRE PIGTAIL	COPPER	

DIMENSION SHEET FOR CAT. NO. FB2546



TOP VIEW
(PROTECTIVE CAP REMOVED)



- NOTES:
1. ALL DIMENSIONS ARE IN INCHES [MM].
 2. ALL OPENINGS ARE CLOSED WITH A PLUG.
 3. INCLUDES (2) 1" TO 3/4" REDUCING BUSHINGS.
 4. 5/8 INCH PRE/POST POUR COLLAR ADJUSTMENT

1	INITIAL RELEASE WITH DCN #211214015266	SW	2/23/22
REV	DESCRIPTION	APP	DATE

THE DESIGN AND DIMENSIONS OF THE PRODUCT SHOWN ON THIS DRAWING ARE SUBJECT TO CHANGE WITHOUT NOTICE. DIMENSIONS ARE IN INCHES [mm].

TITLE
ROUND, CAST IRON, DEEP, 1-G



WIRING DEVICE-KELLEMS
HUBBELL INCORPORATED
SHELTON, CT

TOLERANCES UNLESS OTHERWISE SPECIFIED .XX = ± .01 .XXX = ± .005 ANGLE TOL. ±2'	DR. BY PSV	SCALE 1:2
	CHK. BY SW	DATE 2/23/22

B

M-14408

1

OPTION 1:

Flanges for FB2536, FB2546, FB2537, FB2527, FB2529 Floor Boxes

Application	Flange Type	Aluminum	Brass	Clear Non-Metallic	-	-	-	-	-
Carpeting	5.25 Inch Diameter	SA3182	S3182	S3079	-	-	-	-	-
Carpeting	6.25 Inch Diameter	SA3082	S3082	-	-	-	-	-	-
Flush- Tile/ Finished Concrete	Cover Flange	SA5016	S5016	-	-	-	-	-	-

Round Covers for FB2536, FB2546, FB2537, FB2527, FB2529 Floor Boxes

Cover Type	Flange Cat. No.	StyleLine/ decorator Flap	Duplex Flap	Duplex Screw	2-1/8" x 3/4" Combination	2-1/8" x 1" Combination	2-1/8" Single Receptacle	2-3/8" Single Receptacle	2-1/8" Single Receptacle (Terrazzo Floor)	Blank	Notes
Aluminum	SA3182	-	SA3925	SA3725	SA2525	SA2725	SA2925	-	-	SA3913	-
Aluminum	SA3082	-	SA3925	SA3725	SA2525	SA2725	SA2925	-	-	SA3913	-
Aluminum	S3079	-	SA3925	SA3725	SA2525	SA2725	SA2925	-	-	SA3913	Also Requires SA5016
Aluminum	SA5016	-	SA3925	SA3725	SA2525	SA2725	SA2925	-	-	SA3913	-
Brass	S3182	-	S3925	SA3725	S2525	SA2725	S2925	S3525	S3325	S3913	-
Brass	S3082	-	S3925	S3725	S2525	S2725	S2925	S3525	S3325	S3913	-
Brass	S3079	-	S3925	S3725	S2525	S2725	S2925	S3525	S3325	S3913	Also Requires S5016
Brass	S5016	-	S3925	S3725	S2525	S2725	S2925	S3525	S3325	S3913	-

1	INITIAL RELEASE WITH DCN #211214015266	SW	2/23/22
REV	DESCRIPTION	APP	DATE

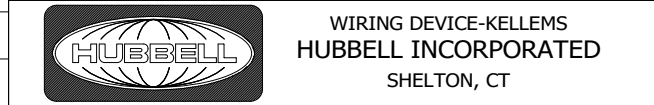
OPTION 2:

One Piece Cover and Carpet Flanges for FB2536, FB2546, FB2537, FB2527, FB2529 Floor Boxes

Application	Cover Finish	StyleLine/ decorator Flap	Duplex Flap	2-1/8" x 3/4" Combination	2-1/8" x 1" Combination	2-1/8" Single Receptacle	-	-	Notes
Carpeting	Aluminum	SFA3926	SFA3925	-	-	-	-	-	-
Carpeting	Brass	SFB3926	SF3925	SF2525	SF2725	SF2925	-	-	-

THE DESIGN AND DIMENSIONS OF THE PRODUCT SHOWN ON THIS DRAWING ARE SUBJECT TO CHANGE WITHOUT NOTICE. DIMENSIONS ARE IN INCHES [mm].

TITLE
ROUND, CAST IRON, DEEP, 1-G



TOLERANCES UNLESS OTHERWISE SPECIFIED .XX = ± .01 .XXX = ± .005 ANGLE TOL. ±2'	DR. BY PSV	SCALE
	CHK. BY SW	DATE 2/23/22