

M-14409

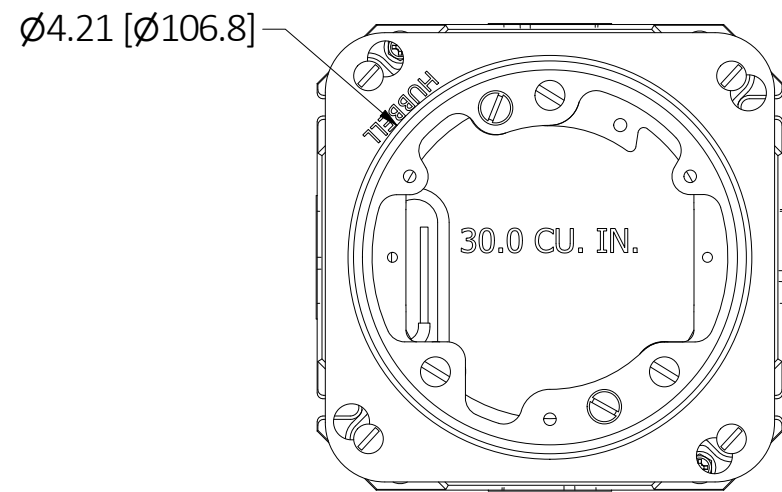
1

SHEET : 1 of 2

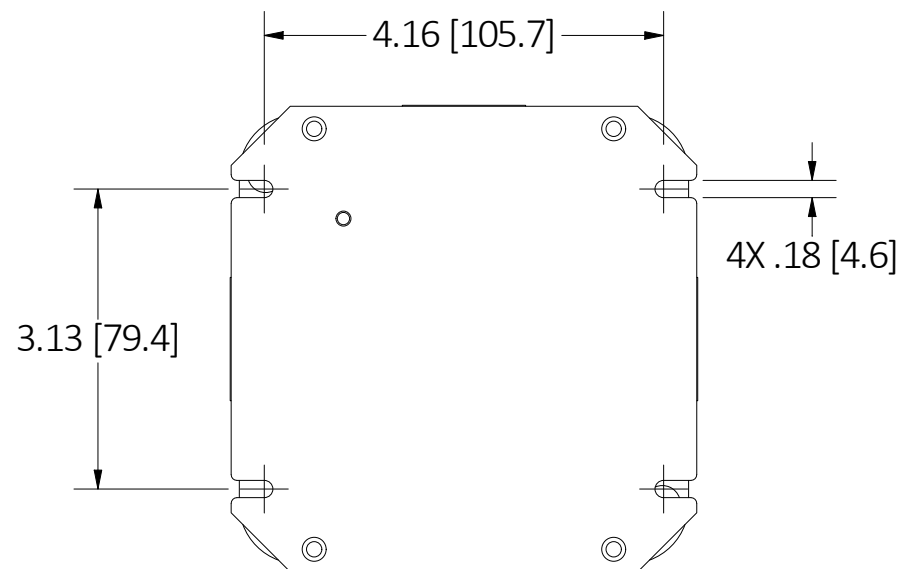
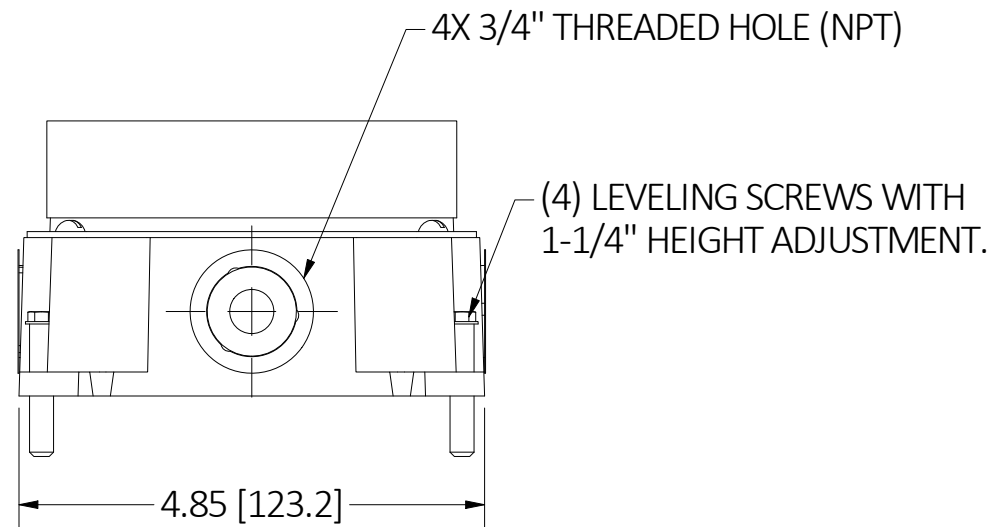
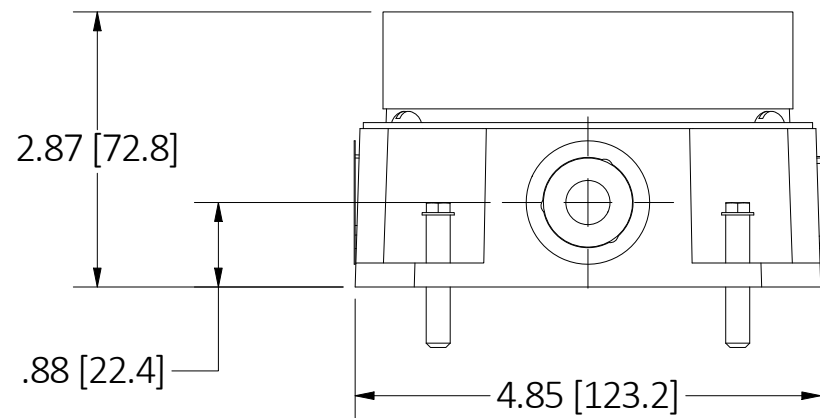
LIST OF PARTS

DESCRIPTION	MATERIAL	FINISH
SHALLOW ROUND BOX (1 GANG)	CAST IRON	GREEN
CLOSURE PLUG	STAINLESS STEEL	
SCREWS	STEEL	ZINC PLATE
ADJUSTABLE COLLAR	GALV. STEEL	GREEN
ADAPTER	GALV. STEEL	GREEN
COVER FLANGE	GALV. STEEL	
GROUND SCREW	STEEL	ZINC PLATE + GREEN
CONCRETE COVER	TIN PLATE	
GR WIRE PIGTAIL	COPPER	

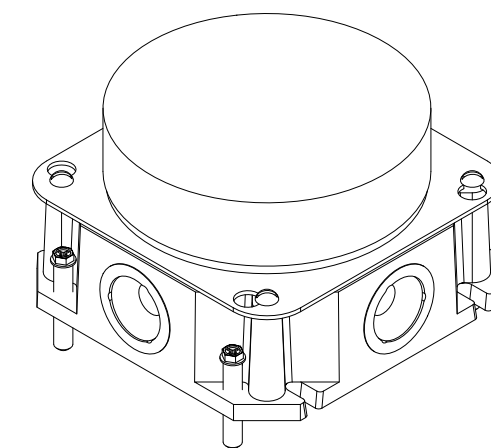
DIMENSION SHEET FOR CAT. NO. FB2537



TOP VIEW
(PROTECTIVE CAP REMOVED)



NOTES:
1. ALL DIMENSIONS ARE IN INCHES [MM].
2. ALL OPENINGS ARE CLOSED WITH A PLUG.



1	INITIAL RELEASE WITH DCN #211214015266	SW	3/21/22
REV	DESCRIPTION	APP	DATE

THE DESIGN AND DIMENSIONS OF THE PRODUCT SHOWN ON THIS DRAWING ARE SUBJECT TO CHANGE WITHOUT NOTICE. DIMENSIONS ARE IN INCHES [mm].

TITLE
ROUND, CAST IRON, SHALLOW, 1-G



WIRING DEVICE-KELLEMS
HUBBELL INCORPORATED
SHELTON, CT

TOLERANCES UNLESS OTHERWISE SPECIFIED .XX = ±.01 .XXX = ±.005 ANGLE TOL. ±2'	DR. BY PSV	SCALE 1 : 2
	CHK. BY SW	DATE 3/21/22

B

M-14409

1

